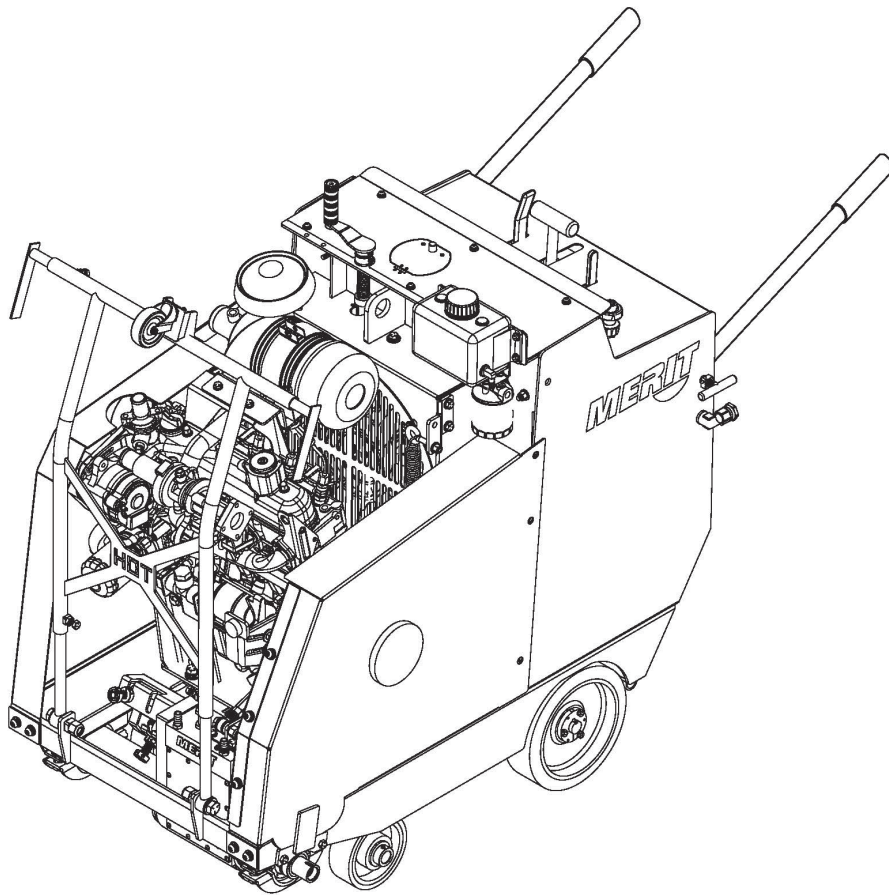


MERIT

AN **ICS** BRAND




Replacement Parts & Accessories Price List



M400SS-30E-R4-1110

Effective January 1, 2021

1

<p>NOTICE</p> <p>DO NOT OVER TIGHTEN BELTS</p>	<p>⚠ DANGER</p> <p>DO NOT ATTEMPT TO OFFLOAD ANY PIECE OF EQUIPMENT ON UNEVEN GROUND OR SLOPE. DO NOT LEAVE EQUIPMENT UNATTENDED ON UNEVEN GROUND. INJURY OR DEATH MAY OCCUR. THIS EQUIPMENT SHOULD NOT BE OPERATED BY ANYONE UNDER THE AGE OF 18.</p> <p>DO NOT JUMP-START A DEAD BATTERY ON THE UNIT. THE PROCESS OF JUMP-STARTING A DISCHARGED BATTERY CAN, UNDER CERTAIN CONDITIONS RESULT IN BATTERY EXPLOSION FROM IGNITION OF HYDROGEN GAS RESULTING IN INJURY OR DEATH.</p> 	
<p>NOTICE</p> <p>DO NOT OVER TIGHTEN BELTS</p>	<p>⚠ WARNING</p>  <p>EXPOSED PULLEYS AND BELTS. DO NOT OPERATE MACHINE WITHOUT BOLTED GUARDS IN PLACE.</p>	<p>ALWAYS TURN OFF MACHINERY AND DISCONNECT BATTERY BEFORE MAINTENANCE. ALWAYS MAKE SURE SHIFTS LEVERS ARE PROPERLY LOCKED BEFORE CUTTING. USE 100% SAE 140 LUBS GEAR OIL.</p> <p>⚠ CAUTION</p> 
<p>NOTICE</p>  <p>EQUIPMENT WIRED FOR 480 VOLTS 3 PHASE</p>	<p>⚠ WARNING</p>  <p>EXPOSED PULLEYS AND BELTS. DO NOT OPERATE MACHINE WITHOUT BOLTED GUARDS IN PLACE.</p>	 <p>⚠ CAUTION</p> <p>DO NOT SHIFT GEARS WHILE ENGINE IS RUNNING. THIS WILL CAUSE SEVERE DAMAGE TO THE EQUIPMENT.</p>
<p>NOTICE</p>  <p>EQUIPMENT WIRED FOR 480 VOLTS 3 PHASE</p>	<p>⚠ DANGER</p>  <p>SHOCK HAZARD BE SURE EQUIPMENT IS PROPERLY WIRED AND GROUNDED BEFORE USE</p>	<p>⚠ CAUTION</p>
<p>NOTICE</p>  <p>EQUIPMENT WIRED FOR 480 VOLTS 3 PHASE</p>	<p>⚠ DANGER</p>  <p>SHOCK HAZARD BE SURE EQUIPMENT IS PROPERLY WIRED AND GROUNDED BEFORE USE</p>	<p>⚠ CAUTION</p>
<p>NOTICE</p>  <p>EQUIPMENT WIRED FOR 480 VOLTS 3 PHASE</p>	<p>NOTICE</p> <p>DO NOT OVER GREASE BEARINGS</p>	<p>⚠ CAUTION</p>
<p>NOTICE</p> <p>DO NOT OVER GREASE BEARINGS</p>	<p> For patent information visit: icsdiamondtools.com/patents. ©2021 ICS Blount, Inc. All Rights Reserved. WARNING: This product can expose you to chemicals including lead which is known to the State of California to cause cancer and birth defects or other reproductive harm. For more information go to: www.P65Warnings.ca.gov</p>	

ELECTRIC WARNING LABELS
p/n 72116

Labels for all electric saws. Your saw may not require all labels on this sheet.

Item	Part Number	Qty per pack	Description	Qty Needed for view above
1	72116	1	SAFETY DECAL, ELECTRIC SAWS	1



Item	Part Number	Qty per pack	Description	Qty Needed for view above
1	45172	1	RUBBER FLAP, 6 INCH X 8 INCH	1
2	48207	1	1-1/2 BLADE WRENCH	1
3	10206	1	NYLON BUSHING, 2 ⁵ / ₁₆ INCH L	1
Not shown	10205	1	NYLON BUSHING, 3 ⁵ / ₁₆ INCH L	1
Not shown	12IBG	1	12 INCH BLADE CAPACITY (12 INCH X 2 INCH)	1
4	14IBG	1	14 INCH BLADE CAPACITY (14 INCH X 2 INCH)	1
5	18IBG	1	18 INCH BLADE CAPACITY (18 INCH X 2 INCH)	1
Not shown	20IBG	1	20 INCH BLADE CAPACITY (20 INCH X 2 INCH)	1
Not shown	24IBG	1	24 INCH BLADE CAPACITY (24 INCH X 2 INCH)	1
5	26IBG	1	26 INCH BLADE CAPACITY (26 INCH X 2 INCH)	1
Not shown	30IBG	1	30 INCH BLADE CAPACITY (30 INCH X 3 INCH)	1
6	21900	1	NIGHTLIGHT KIT (incl panel switch and complete harness)	1

SPECIFICATIONS

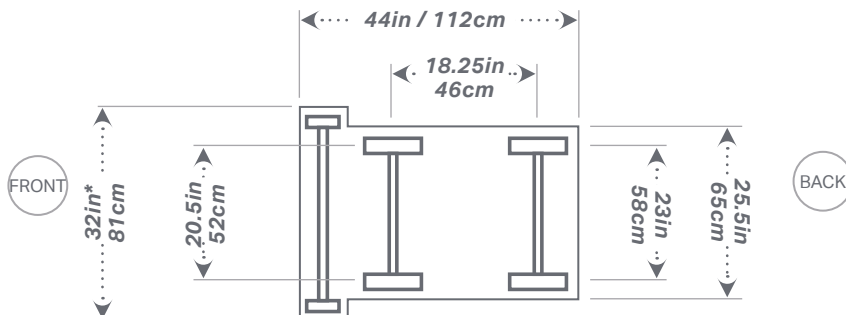
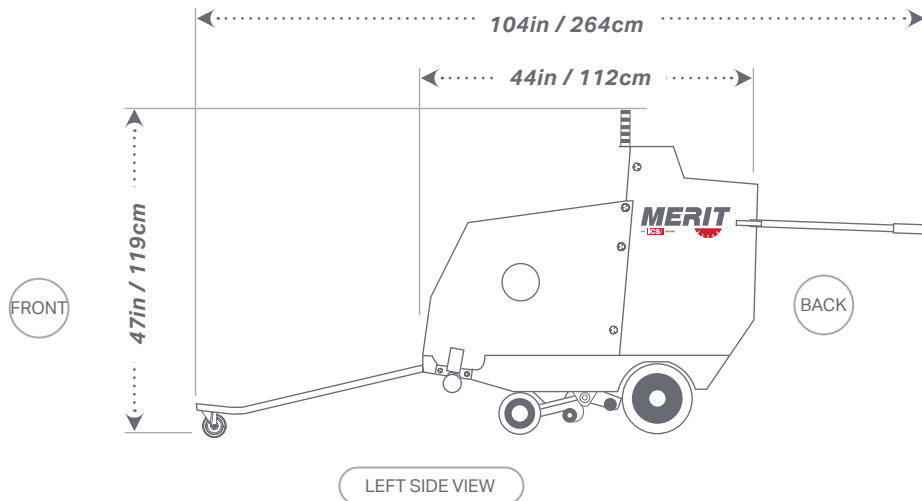
M400SS-30E-R4-1110 FLAT SAW

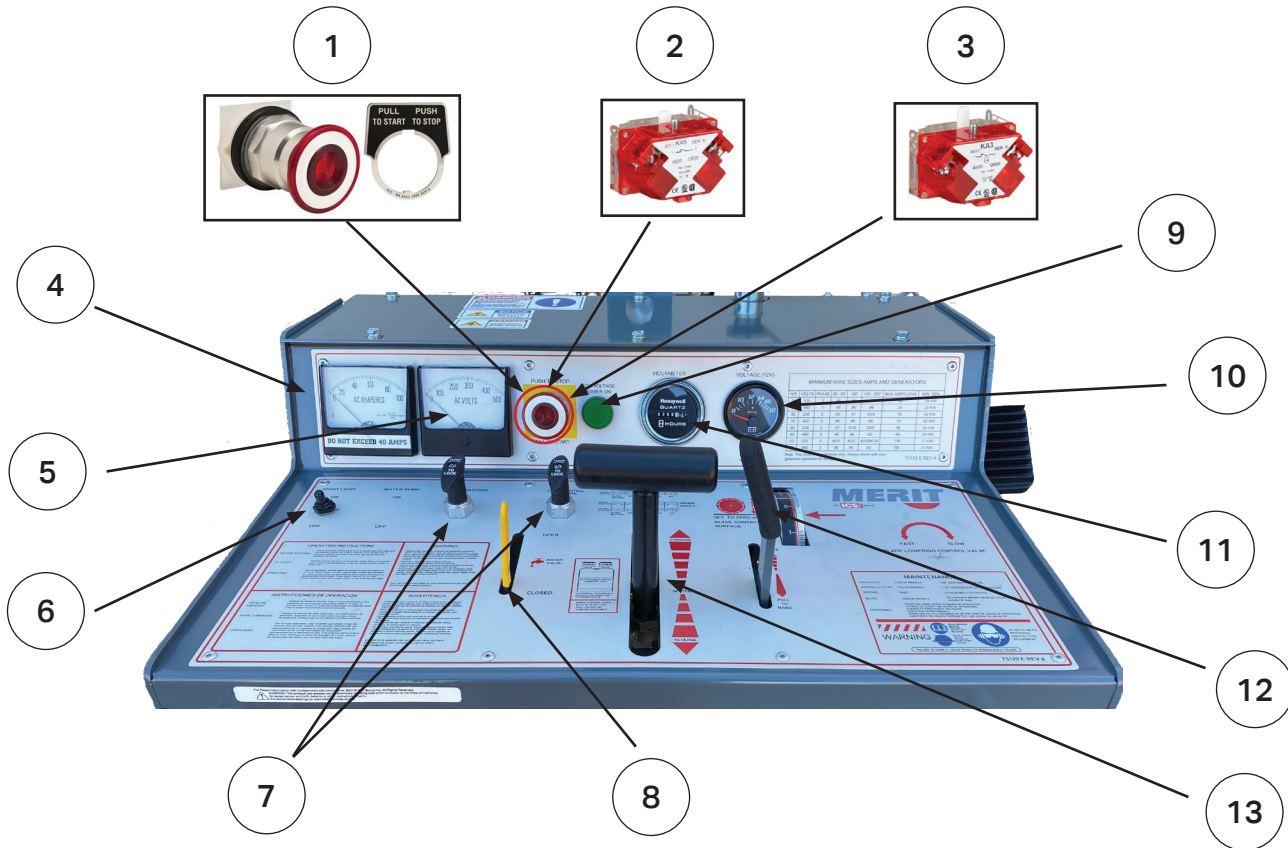
Power Specifications	
Volts	480 Volts, 3 Phase
Max amps	40 amps when loaded
55 kW generator required to run the equipment	

Battery & Fluids	
12V Battery	Battery group: 26R, 540 CCA @ 0-degree F
Hydraulic Lift Pump	ATF, 1 Quart
Drive System	20W-50, 1.5 quarts
Differential Oil	20W-50, 1 quart
Gearbox Oil	85-140, use Gb side port for oil level

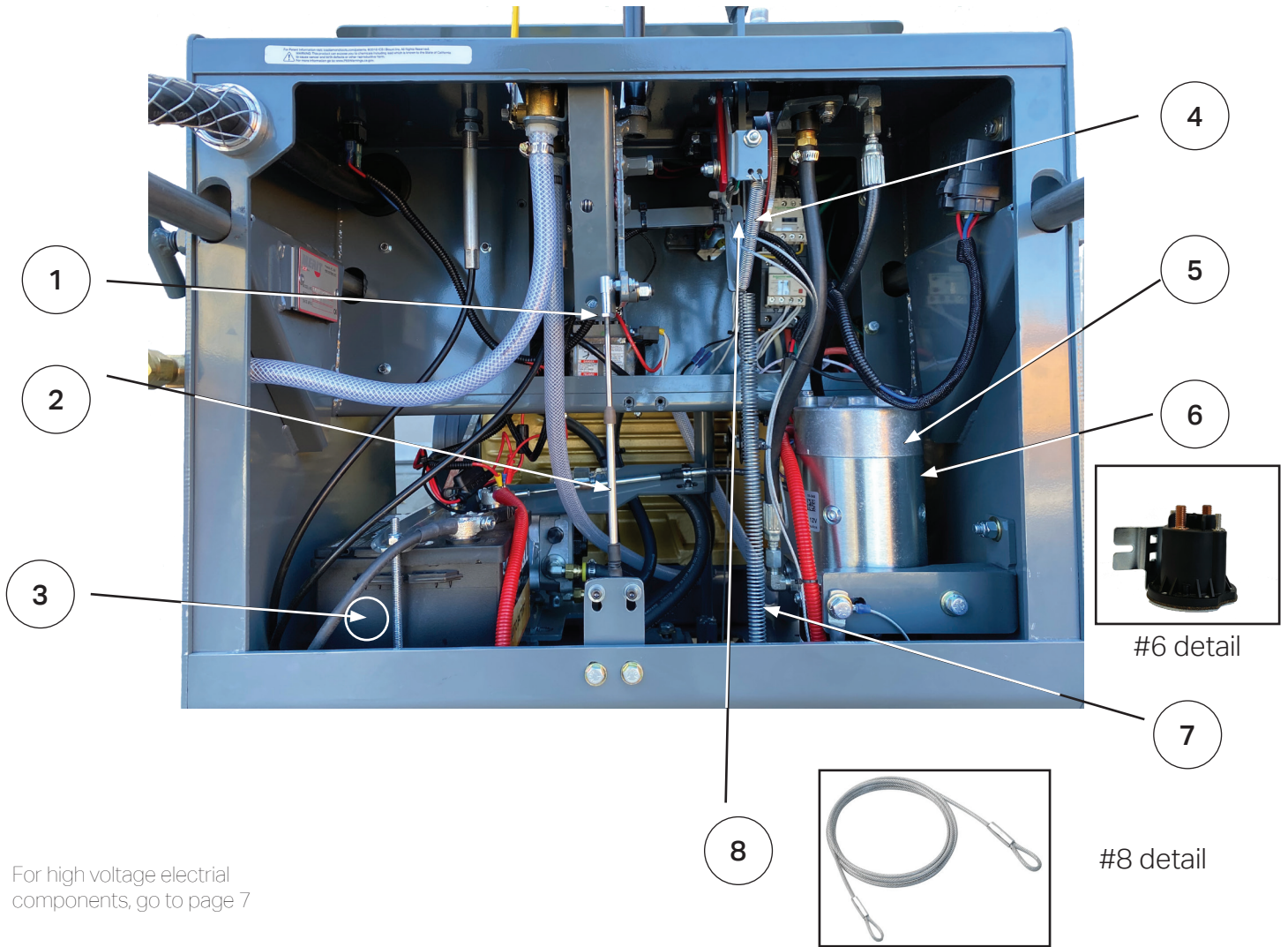
Tool Specifications	
Wired for	480 V, 3 Phase
Frequency	60.00 Hz
Max amps	40 amps when loaded
Starter contactor Coil	120V

Battery & Fluids	
Motor Manufacturer	Baldor, TEFC Enclosure
Motor RPM	1,760
Frame	286T, Steel
Warranty	3 Year, Limited Per Manufacturer





Item	Part Number	Qty per pack	Description	Qty Needed for view above
1	490165	1	PUSH BUTTON, 30MM TYPE K	1
2	22111	1	CONTACT BLOCK, KA3 30MM, N/C	1
3	22110	1	CONTACT BLOCK, KA5 30MM	1
4	46121	1	AMMETER, 0-100A AC	1
5	46120	1	VOLTMETER, 0-500V AC	1
6	22222	1	SWITCH, ON/OFF (not shown)	1
6	17167	1	SWITCH BOOT	1
7	22249	1	CABLE TWIST LOCK, 6 FT	1
8	21130	1	WATER VALVE ASSEMBLY	1
9	22198	1	" POWER ON" GREEN PANEL LIGHT	1
10	46118	1	RESISTANT	1
11	46117	1	HOURMETER, 12V	1
12	21162	1	VOLTMETER, 12V EQUUS	1
13	21161	1	RAISE AND LOWER MECHANISM	1
13	17171	1	ASSEMBLY, FR MECHANISM	1

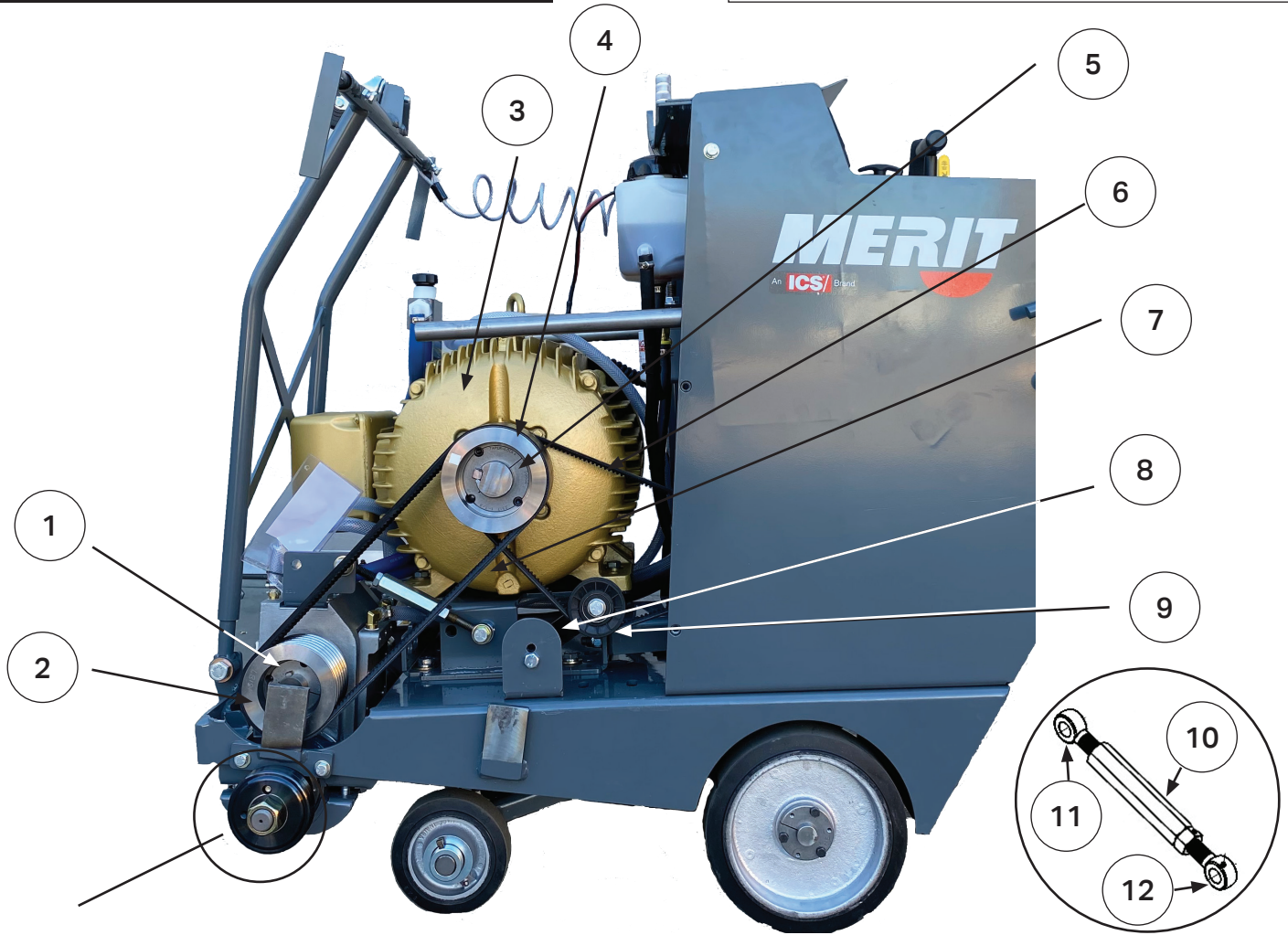


For high voltage electrical components, go to page 7

Item	Part Number	Qty per pack	Description	Qty Needed for view above
1	16102	1	BALL JOINT, SPRING LOADED	2
2	22121	1	60 FORWARD/REVERSE CABLE	1
3	source locally	1	12V Battery Battery group: 26R, 540 CCA @ 0-degree F.	1
4	41118	1	SPRING	1
5	14305-BRP	1	HYD LIFT PUMP, SQUARE MANIFOLD NEW STYLE	1
6	490469	1	12V SOLENOID, FOR BUCHER PUMP	1
7	490097	1	SPRING	1
8	626572	1	DEPTH STOP CABLE	

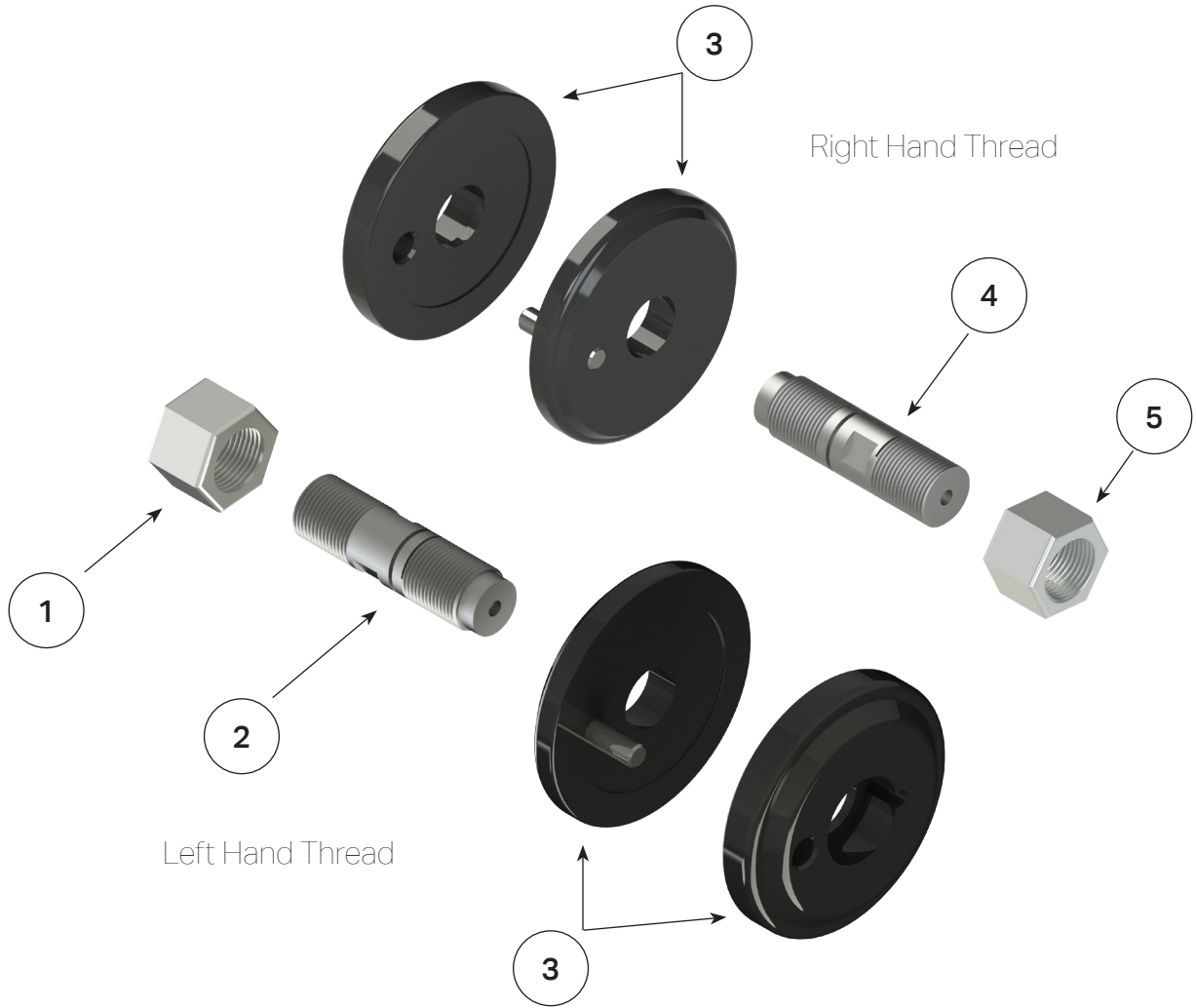


Item	Part Number	Qty per pack	Description	Qty Needed for view above
1	22238	1	TRANSFORMER, 230/460 TO 120 500A (does not include fuses)	1
2	22157	1	CONTACTOR, 30HP-40 460V 40A	1
3	22155	1	RELAY BATTERY CHARGER, 120V COIL	1
4	22207	1	OVERLOAD RELAY, 30HP 25-40A CLASS 10	1
5	490164	1	CURRENT TRANSFORMER, 100:5	1
6	22186	1	CERAMIC FUSE, 6A	1
7	22174	1	CERAMIC FUSE, 3A	2

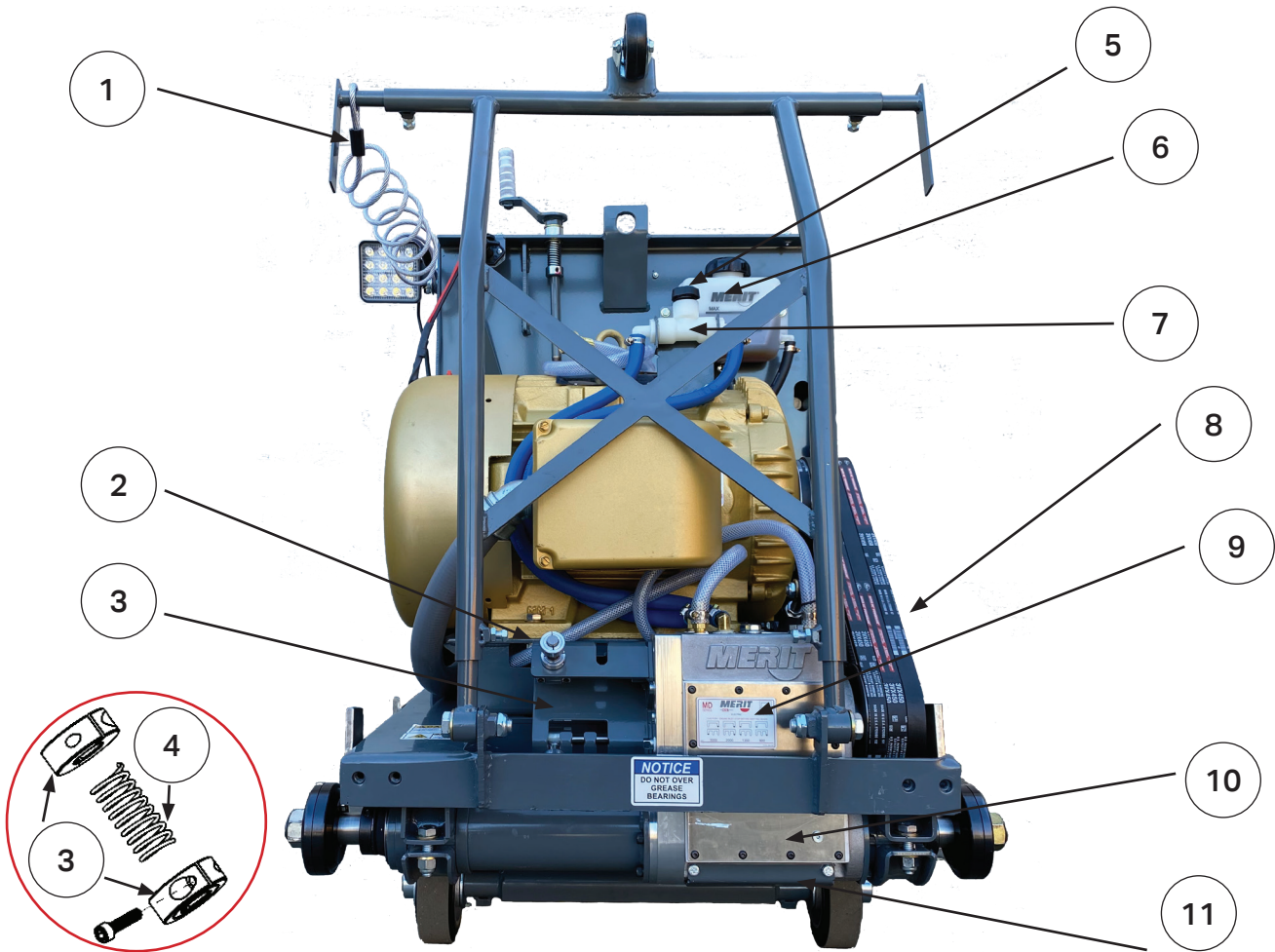


Part numbers, blade mounting stud, blade mounting flanges and blade securing nuts exploded view on page 9

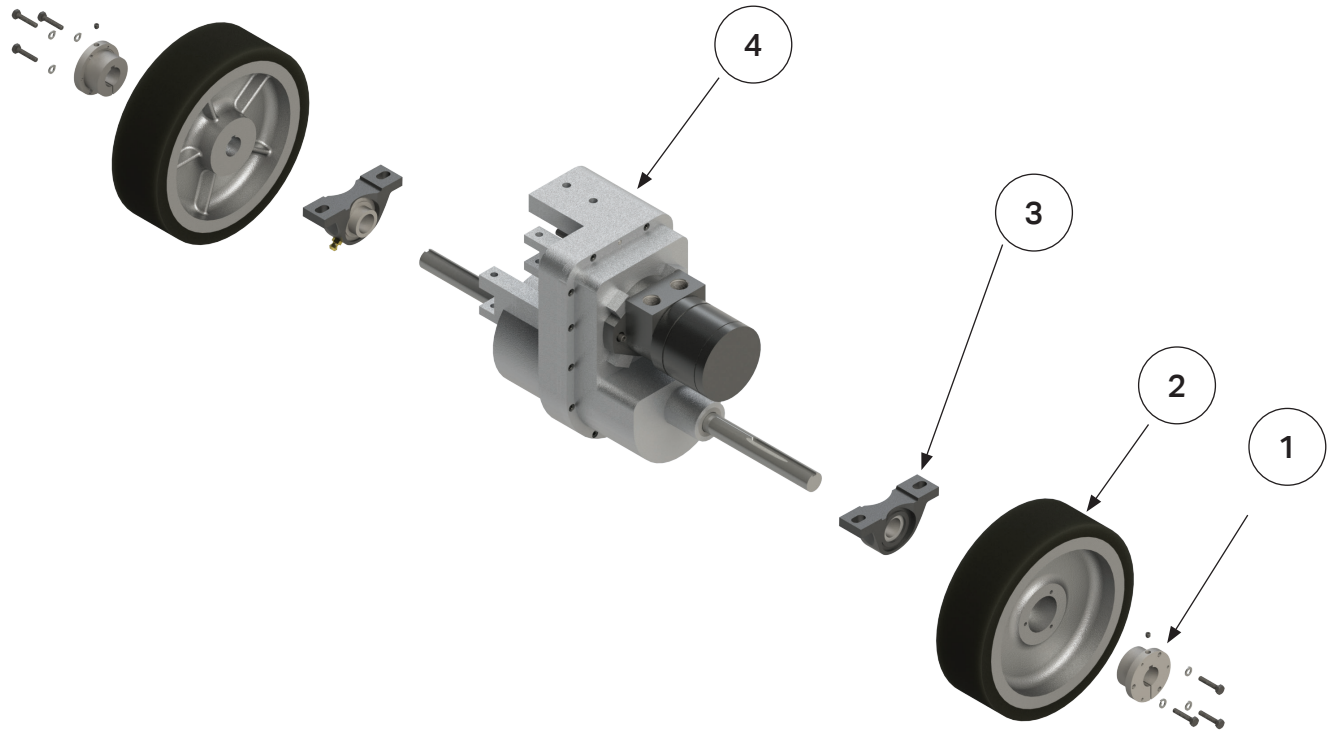
Item	Part Number	Qty per pack	Description	Qty Needed for view above
1	10185	1	TAPER LOCK BUSHING, 2012 x 1 $\frac{3}{8}$	1
2	13187	1	PULLEY, 6/3VX4.75-2012, MD GEARBOX	1
3	23191	1	ELECTRIC MOTOR, 30HP 60HZ	1
4	490294	1	PULLEY, 7/3V5.30-2517	1
5	10225	1	TAPER LOCK BUSHING, 2517 X 1 $\frac{7}{8}$	1
6	AX39	1	BELT, AX39	1
7	2/3VX450	1	BELT, 2/3VX450	3
8	41119	1	TENSIONER, BLUE (STARTING, 2/15/18)	1
9	13978	1	PULLEY, 1/2 ID 3 OD 1/2 W NYLON	1
10	15193	1	COUPLING NUT, RHT/LHT, 1/2-13X4	1
11	15139	1	EYEBOLT, 1/2-13 RHT	1
12	15138	1	EYEBOLT, 1/2-13 LHT	1



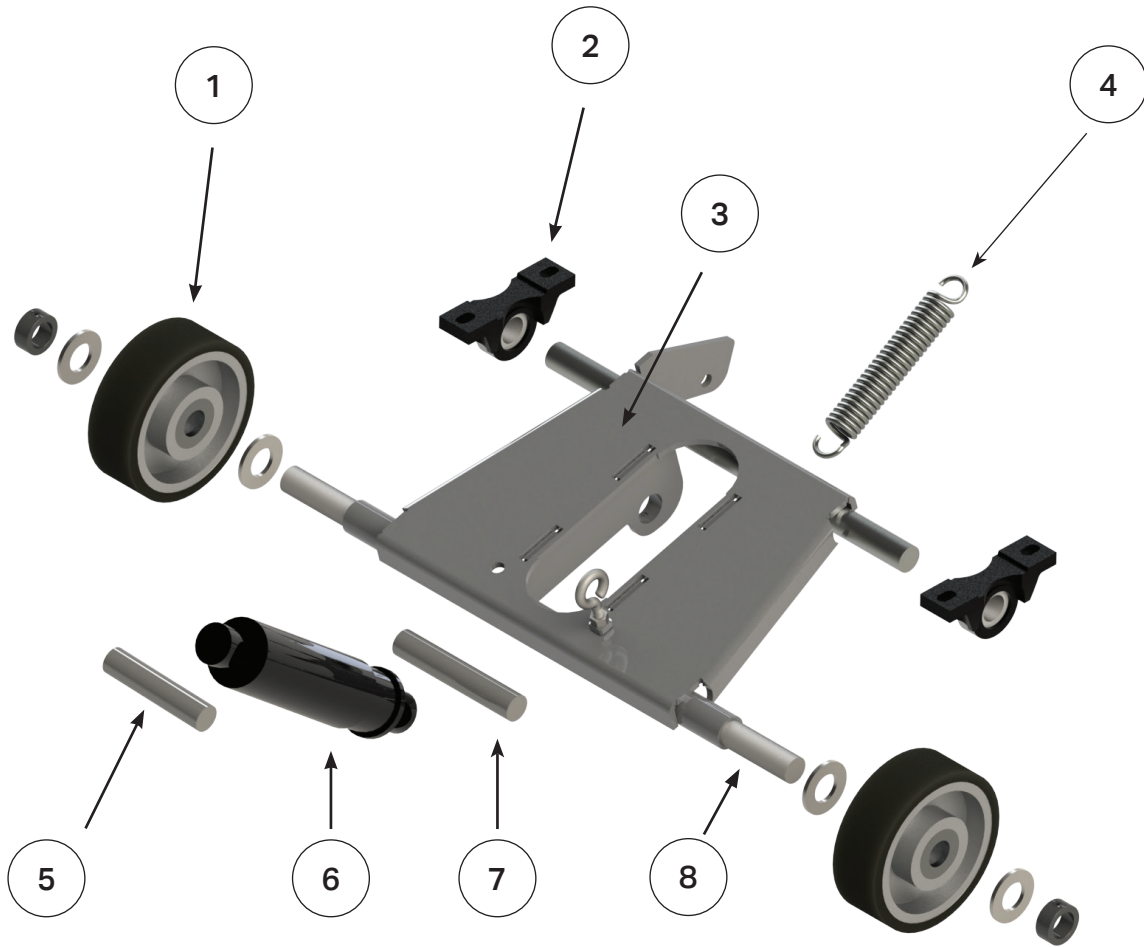
Item	Part Number	Qty per pack	Description	Qty Needed for view above
Splined Kit items				
1	15200	1	BLADE NUT, LEFT HAND THREAD, 1-14	
2	15307RP	1	STUD, 1-14 X 3½ LEFT HAND THREAD (STANDARD) includes O-ring	
3	631531	1	BLADE COLLAR SET, 4 INCH, M350-M400/SS	
4	15199	1	BLADE NUT, RIGHT HAND THREAD GR8 HEX, 1-14, YELLOW	
5	15306RP	1	STUD, 1-14 X 3½ RIGHT HAND THREAD (STANDARD) includes O-ring	



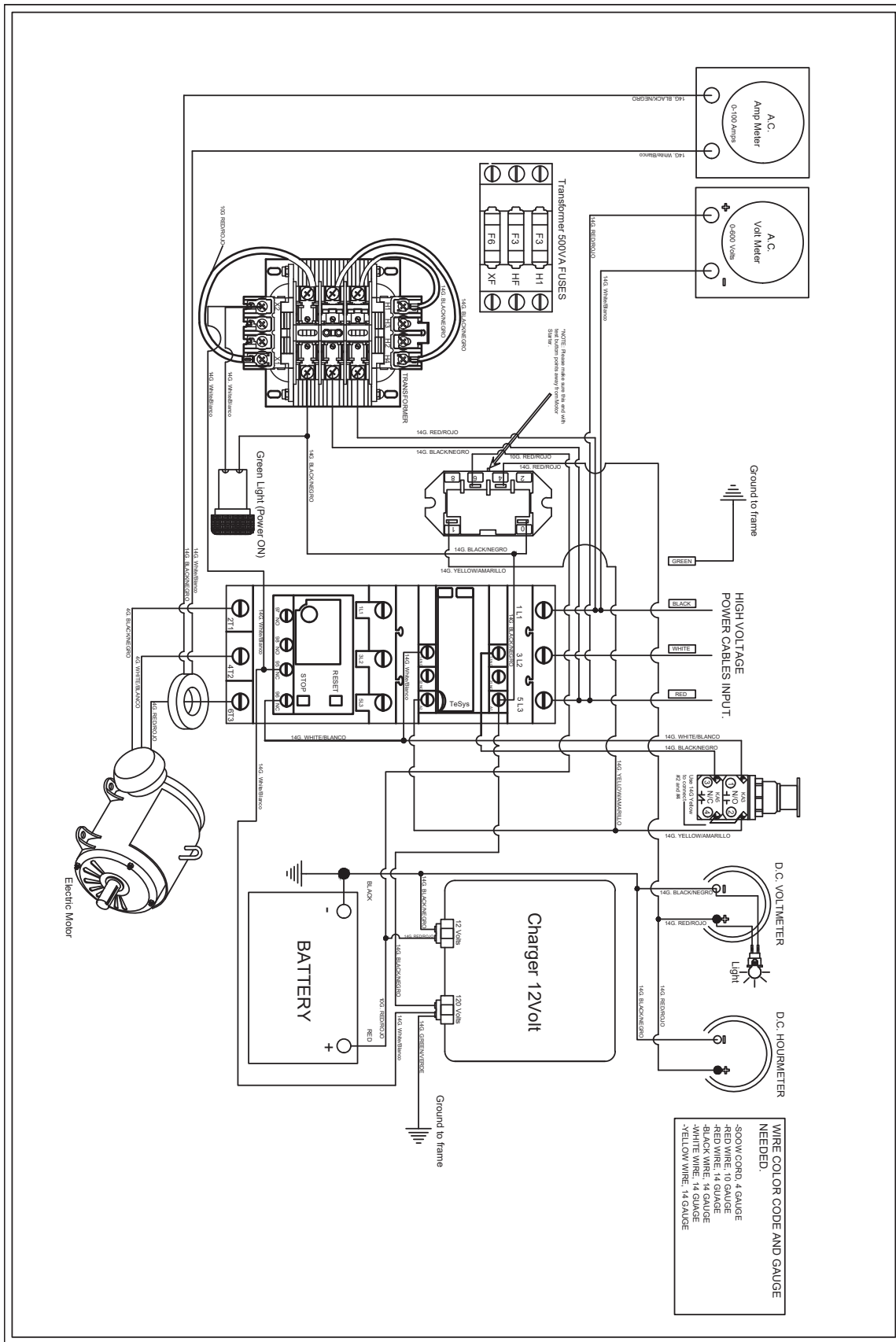
Item	Part Number	Qty per pack	Description	Qty Needed for view above
1	22131	1	SECURITY CABLE, SELF COILING,6 FOOT, STEEL	1
2	490044	1	SPLIT SHAFT COLLAR, 1/2 ALUMINUM includes cap screw	6
3	18118RP	1	SHIFT GATE, MD GEARBOX	1
4	490091	1	SHIFTER SPRING, 1/2 X 1	2
5	17162	1	BREATHER CAP VENT, 3/4	2
6	42101	1	OIL RESERVOIR TANK, 2 QUART	1
7	14161	1	NYLON TEE, 3/4 Should be sold with Part # 14225 X 2, FITTING, 3/4 MPT X 1/2 BARB 90 NYLON	1
8	2/3VX450	1	BELT, 2/3VX450 recommend buying in sets of 3	3
9	490380	1	DECAL, MD ELECTRIC GB SHIFT GUIDE	1
10A	21399RP	1	MD Gearbox, 400/SS w/Electric Decal ships with oil and fully tested	1
10B	21377RP	1	MD Gearbox, 400/SS w/Electric Decal (QD) blade mounting style ships with oil and fully tested	1
11	490014	1	BRACKET, SKID PLATE MD GEARBOX	1



Item	Part Number	Qty per pack	Description	Qty Needed for view above
1	10191	1	QD BUSHING, SH X 1 (requires one per wheel)	2
2	45134	1	REAR WHEEL, 10 INCH X 3 INCH X 1 INCH TAPER BORE BLK NEOPR QD bushing not included	2
3	10145	1	PILLOW BLOCK BEARING, 1	2
4	21163RP	1	ASSEMBLY, MERIT DIFFERENTIAL 400/SS RP	1

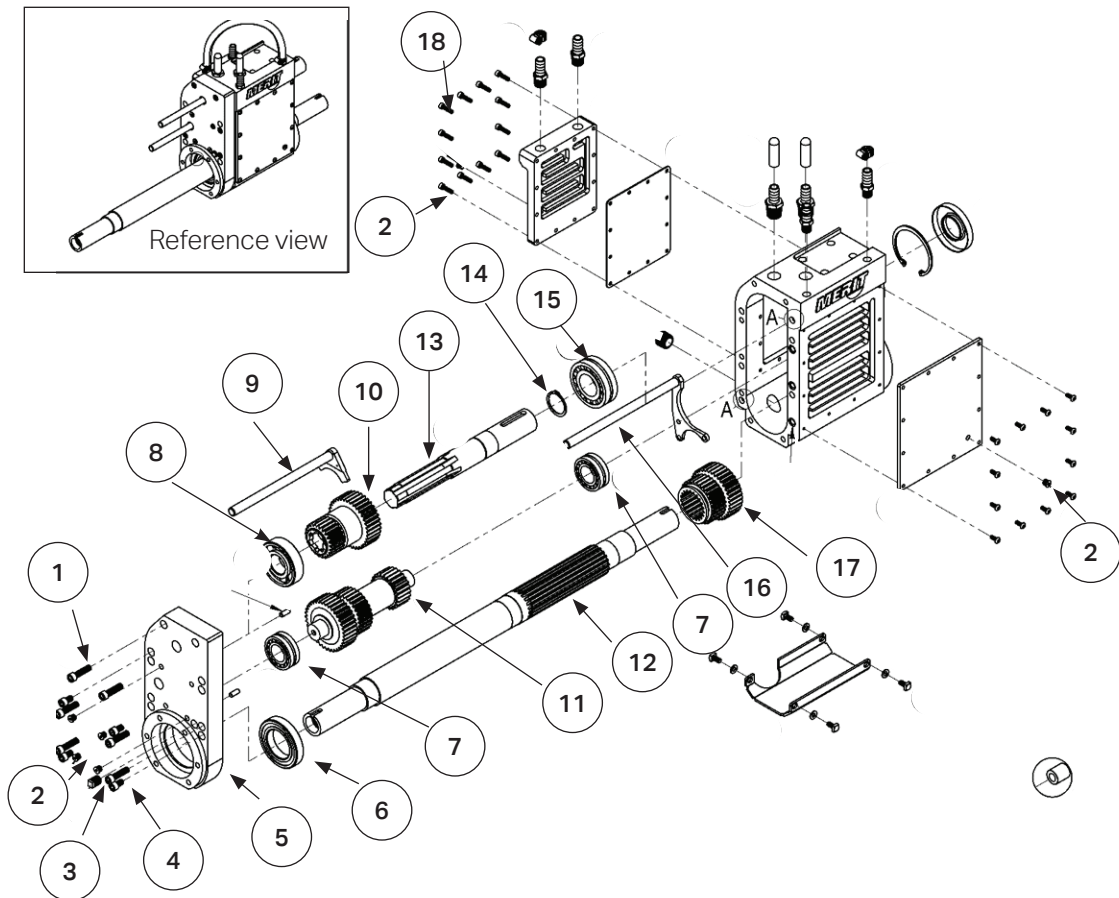


Item	Part Number	Qty per pack	Description	Qty Needed for view above
1	45133	1	FRONT WHEEL, 6 INCH X 2 INCH X 1 INCH SRB BLACK NEOPRENE	2
2	10145	1	PILLOW BLOCK BEARING, 1INCH	2
3	10122RP	1	FRONT AXLE (hardware not included)	1
4	41112	1	SPRING, 8 INCH FRONT AXLE	1
5	16123	1	PIN 1 INCH X 4 INCH	1
6	490037	1	LIFT CYLINDER,	1
7	16124	1	PIN, 1 INCH X 4.75 INCH	1
8	490001	1	AXLE BAR, REAR PIVOT, 1 INCH X 24½ INCH	1



CENTER HOUSING, SHAFT & GEARS

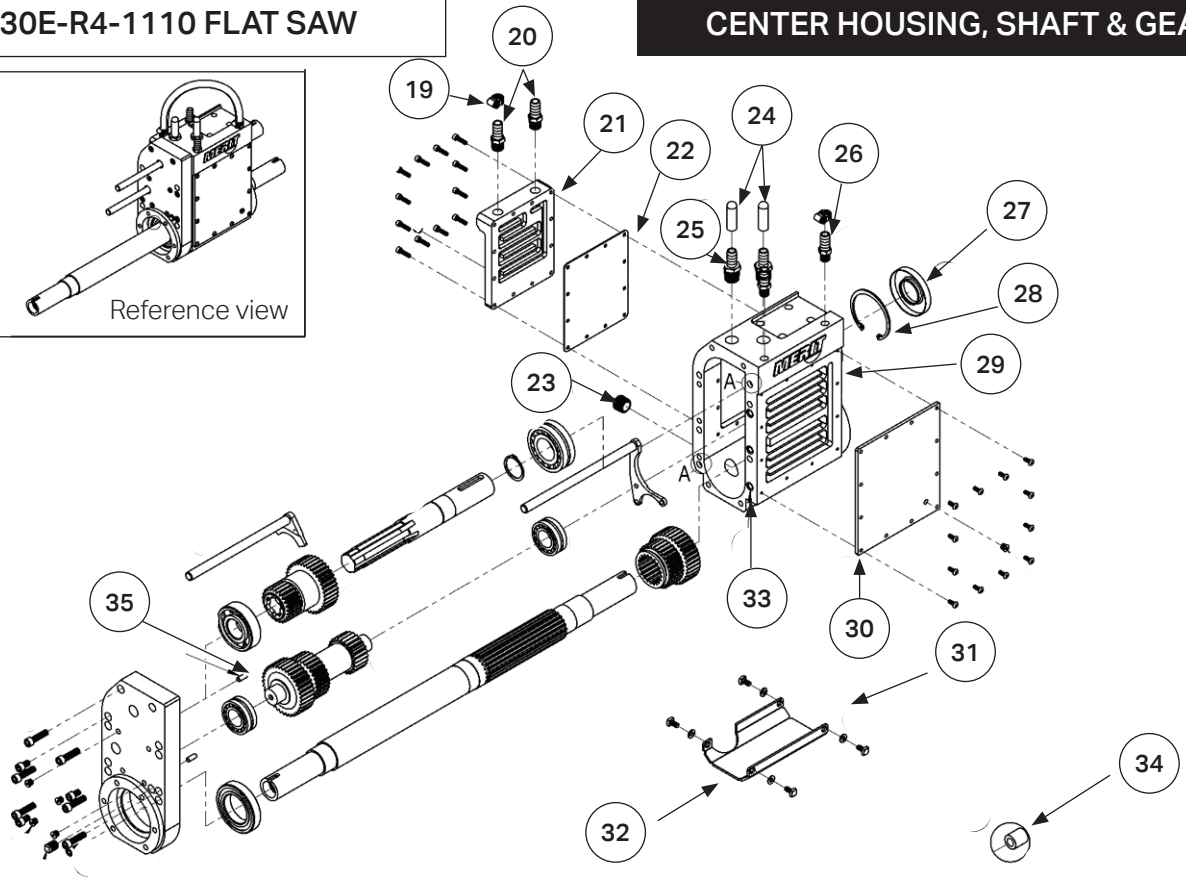
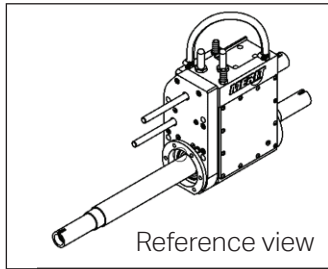
M400SS-30E-R4-1110 FLAT SAW



Item	Part Number	Qty per pack	Description	Qty Needed for view above
1	source locally	N/A	SOCKET HEAD CAP SCREW 5/16-18 INCH X 1 1/4 INCH	6
2	12105	1	PLUG, NO 2 ORB FLUSH HEX PLUG	8
3	12103	1	FITTING, 1/4 NPT SQUARE HEAD PLUG	1
4	source locally	N/A	SOCKET HEAD CAP SCREW 5/16-18 INCH X 1/2 INCH	4
5	490005	1	END COVER, MD GEARBOX	1
6	10132	1	BEARING, 6009	1
7	10137	1	BEARING, 22205	2
8	10135	1	BEARING, 6306	1
9	10264	1	UPPER SHIFT FORK, MD GEARBOX	1
10	10272	1	SLIDER GEAR, UPPER MD GEARBOX	1
11	10268	1	IDLER GEAR, MD GEARBOX	1
12	10318	1	OUTPUT SHAFT	1
13	10314	1	INPUT SHAFT, MD	1
14	12119	1	EXTERNAL SNAP RING, 1 3/8 INCH	1
15	10138	1	BEARING, 22207	1
16	490006	1	SHIFT FORK, LOWER MD GEARBOX	1
17	490003	1	LOWER SLIDER GEAR, MD GEARBOX	1
18	source locally	N/A	10-24 x 3/4 INCH SOCKET HEAD CAP SCREW	12

M400SS-30E-R4-1110 FLAT SAW

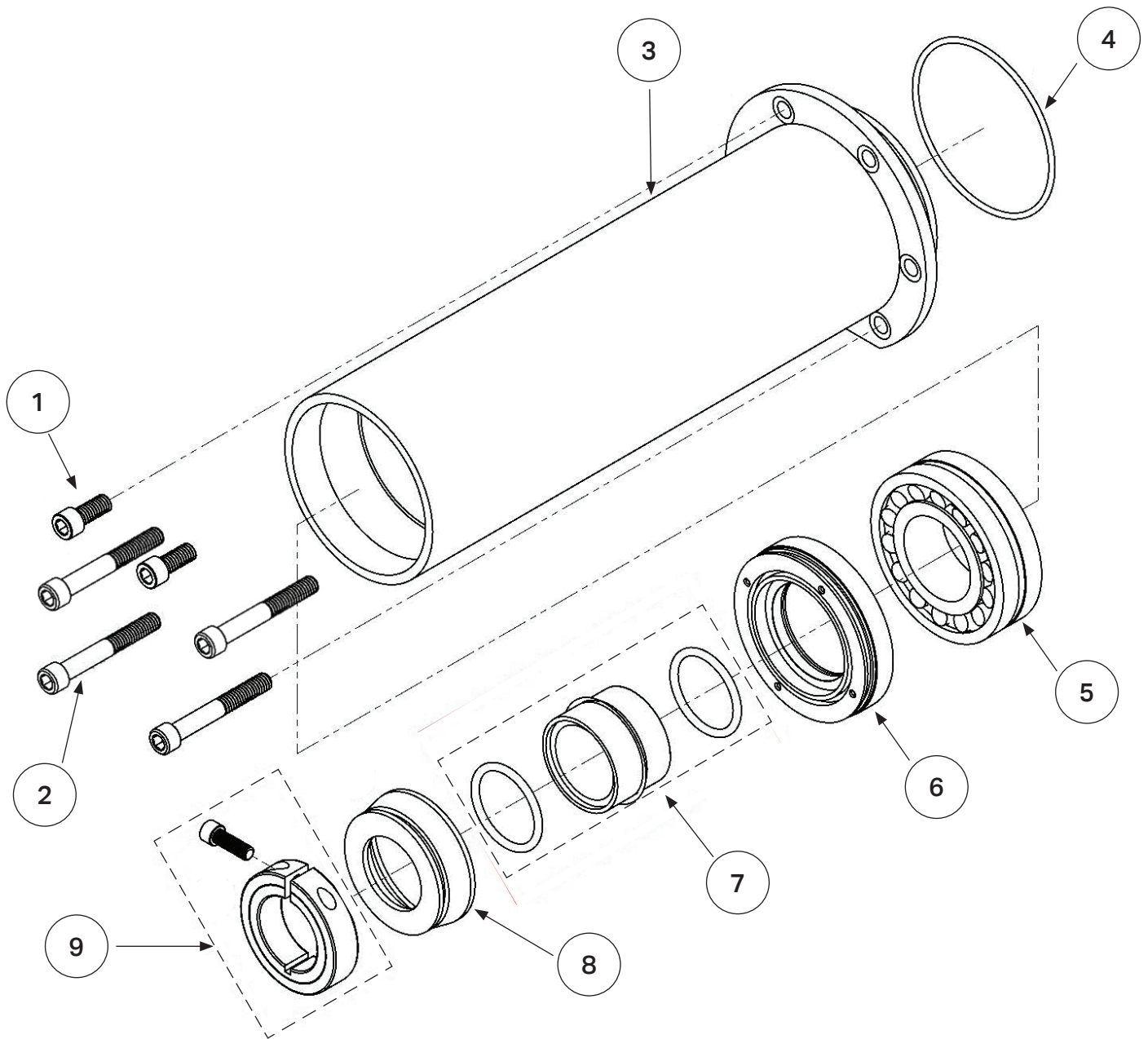
CENTER HOUSING, SHAFT & GEARS



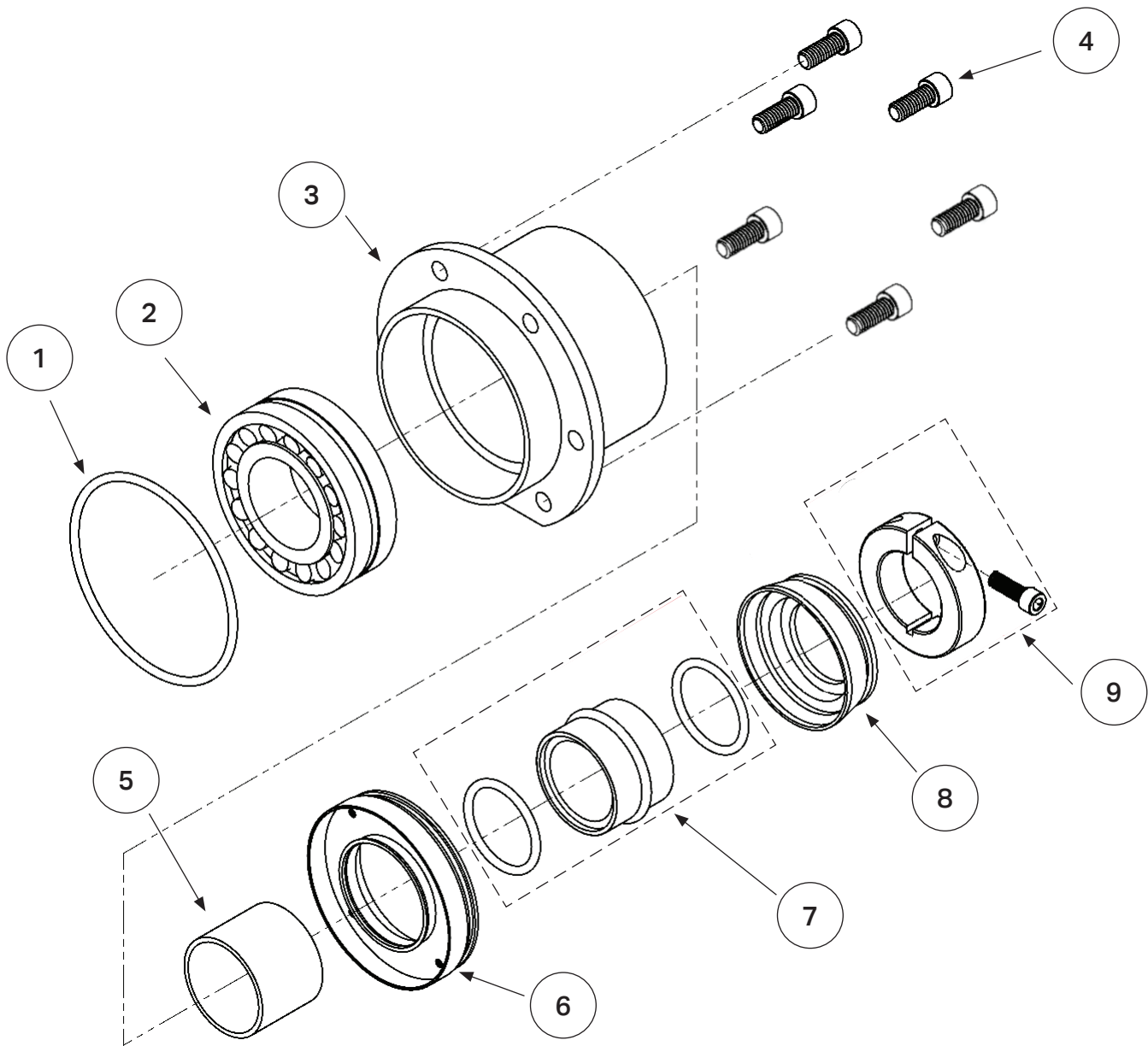
Item	Part Number	Qty per pack	Description	Qty Needed for view above
19	14102	1	HOSE CLAMP, 7/16 to 25/32 SAE 6	2
20	14168	1	FITTING, 1/2 INCH BARB X 3/8 INCH MPT	2
21	490004	1	COOLER COVER CASTING	1
22	17209	1	INTERMEDIATE PLATE, FOR GB	1
23	12106	1	FITTING, 1/2 INCH MPT MAGNETIC PLUG	1
24	17164	1	RUBBER END CAP	2
25	14163	1	FITTING, 1/2 INCH BARB X 1/2 INCH MPT 90 DEG ELBOW	2
26	14159	1	FITTING, 1/2 INCH BARB X 1/4 INCH MPT	2
27	12137	1	SEAL, 35 X 72 X 10MM INPUT	1
28	12112	1	INTERNAL SNAP RING, 2 3/4"	1
29	490008	1	"CENTER CASTING, MD GEARBOX (recommend ordering item 35 & 36) "	1
30	490210	1	COOLER PLATE	1
31	source locally	N/A	SPLIT LOCK WASHER, 1/4 INCH MEDIUM	4
32	490014	1	SKID PLATE, MD GEARBOX	1
33	12114	1	O-RING, NO. 012	3
34	10187	1	DRILL BUSHING, 7/16 INCH X 1/2 INCH X 0.251 INCH	2
35	16118	1	DOWEL PIN, 1/4 INCH X 5/8 INCH	2

LONG HOUSING

M400SS-30E-R4-1110 FLAT SAW



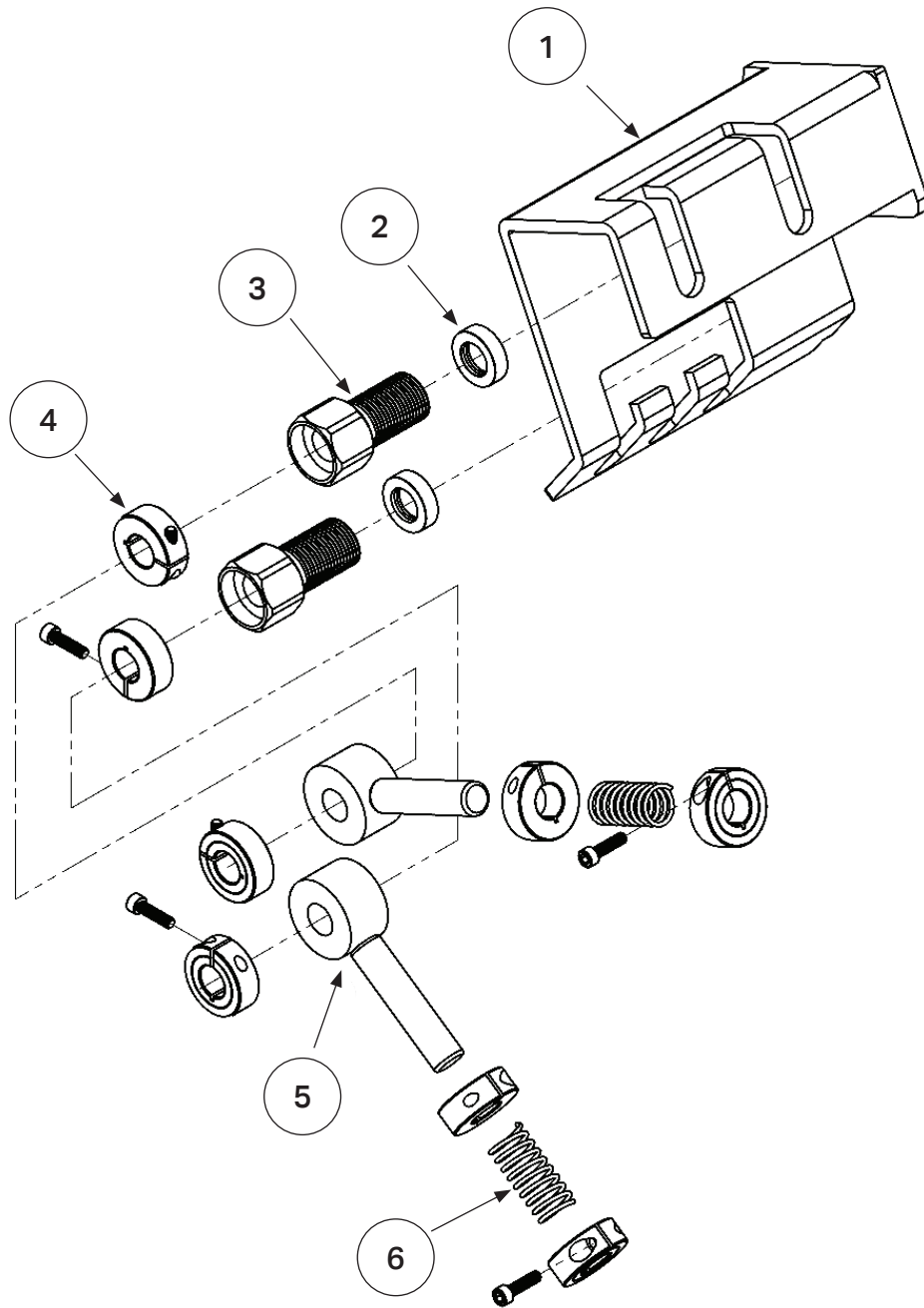
Item	Part Number	Qty per pack	Description	Qty Needed for view above
1	490053	1	SOCKET HEAD CAP SCREW, 5/16-18 INCH X 3/4 INCH	2
2	490159	1	SOCKET HEAD CAP SCREW, 5/16-18 INCH X 2 1/4 INCH	4
3	11120	1	LONG HOUSING, SS GEARBOX	1
4	12118	1	O-RING, NO. 151	1
5	10139	1	BEARING, 22208	1
6	12140	1	SEAL PACKAGE, MD GEARBOX	1
7	12141	1	SEAL SLEEVE PACKAGE, MD GEARBOX	1
8	17165	1	SLURRY CUP, MD GEARBOX	1
9	15153	1	SHAFT COLLAR, 1 3/8 INCH	1



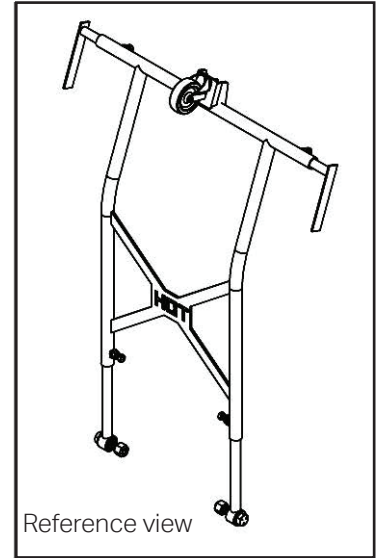
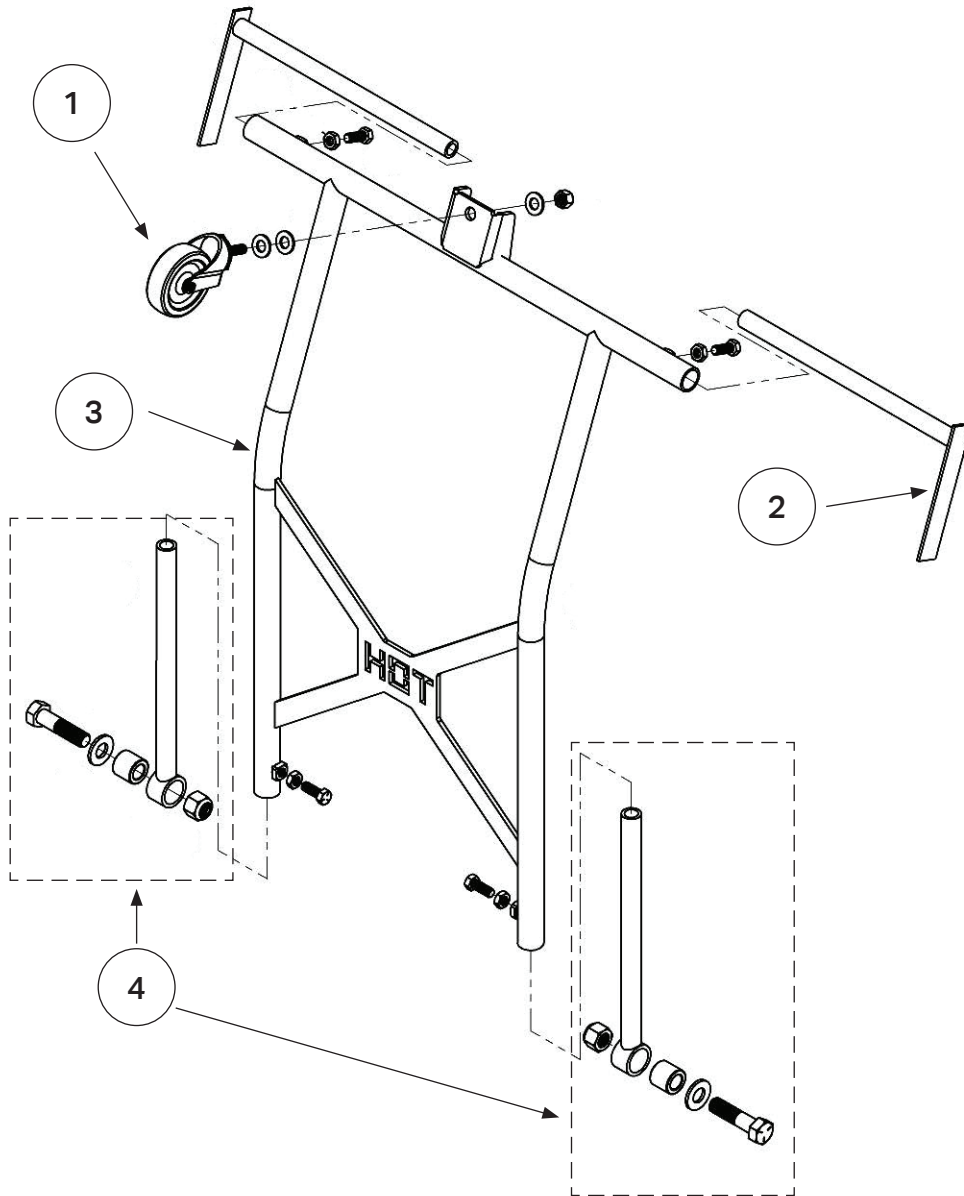
Item	Part Number	Qty per pack	Description	Qty Needed for view above
1	12121	1	O-RING, NO. 237	1
2	10139	1	BEARING, 22208	1
3	490017	1	SHORT HOUSING, MD GEARBOX	1
4	490053	1	SOCKET HEAD CAP SCREW, 5/16-18 INCH X 3/4 INCH	6
5	10347	1	SPACER, MD GEARBOX	1
6	12140	1	SEAL PACKAGE	1
7	12141	1	SEAL SLEEVE PACKAGE	1
8	17165	1	SLURRY CAP	1
9	15153	1	1 3/8 INCH SHAFT COLLAR	1

SHIFT GATE ASSEMBLY

M400SS-30E-R4-1110 FLAT SAW



Item	Part Number	Qty per pack	Description	Qty Needed for view above
1	18118RP	1	SHIFT GATE, MD GEARBOX	1
2	12139	1	OIL SEAL, SHIFTER	2
3	11113	1	SHIFTER HOUSING	2
4	490044	1	SPLIT SHAFT COLLAR, 1/2 INCH ALUMINUM	6
5	16110	1	SHIFT LEVER, GEARBOX	2
6	490091	1	SHIFTER SPRING, 1/2 INCH X 1 INCH	2



Item	Part Number	Qty per pack	Description	Qty Needed for view above
1	45132	1	3 INCH CASTER WHEEL, FOR POINTER	1
2	19138RP	1	BRACKET, POINTER GUIDE	2
3	18205RP	1	POINTER FRAME (does not incl castor wheel, item #1)	1
4	46123RP	2	LOWER POINTER TUBE (Kit includes 2 pieces)	1 KIT

Merit, An ICS Brand
4909 SE International Way
Portland, OR 97222
800.321.1240
icsdiamondtools.com