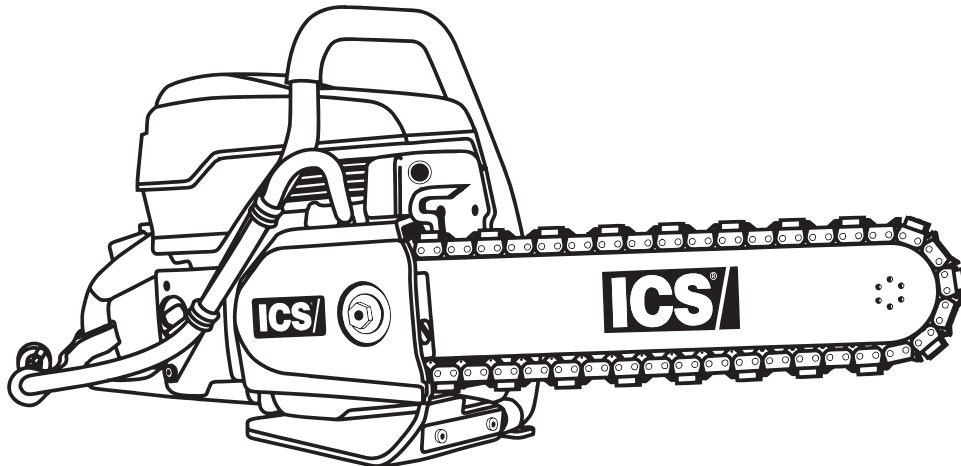




**Diamond Tools and Equipment
for Construction and Infrastructure**

Replacement Parts & Accessories Price List



695XL Gas Concrete Saw

Effective January 1, 2022

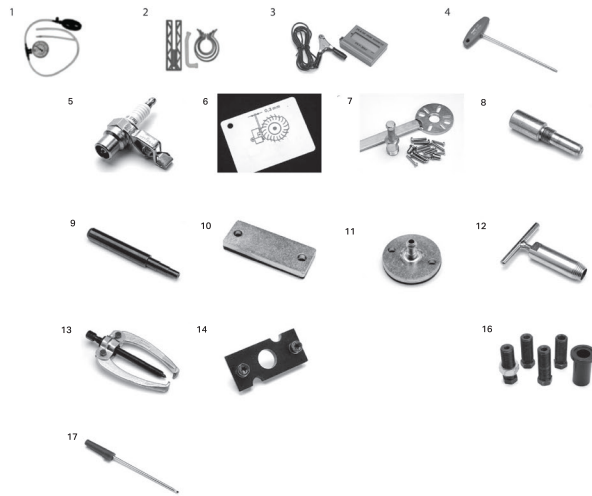
TABLE OF CONTENTS

695XL Gas Saw

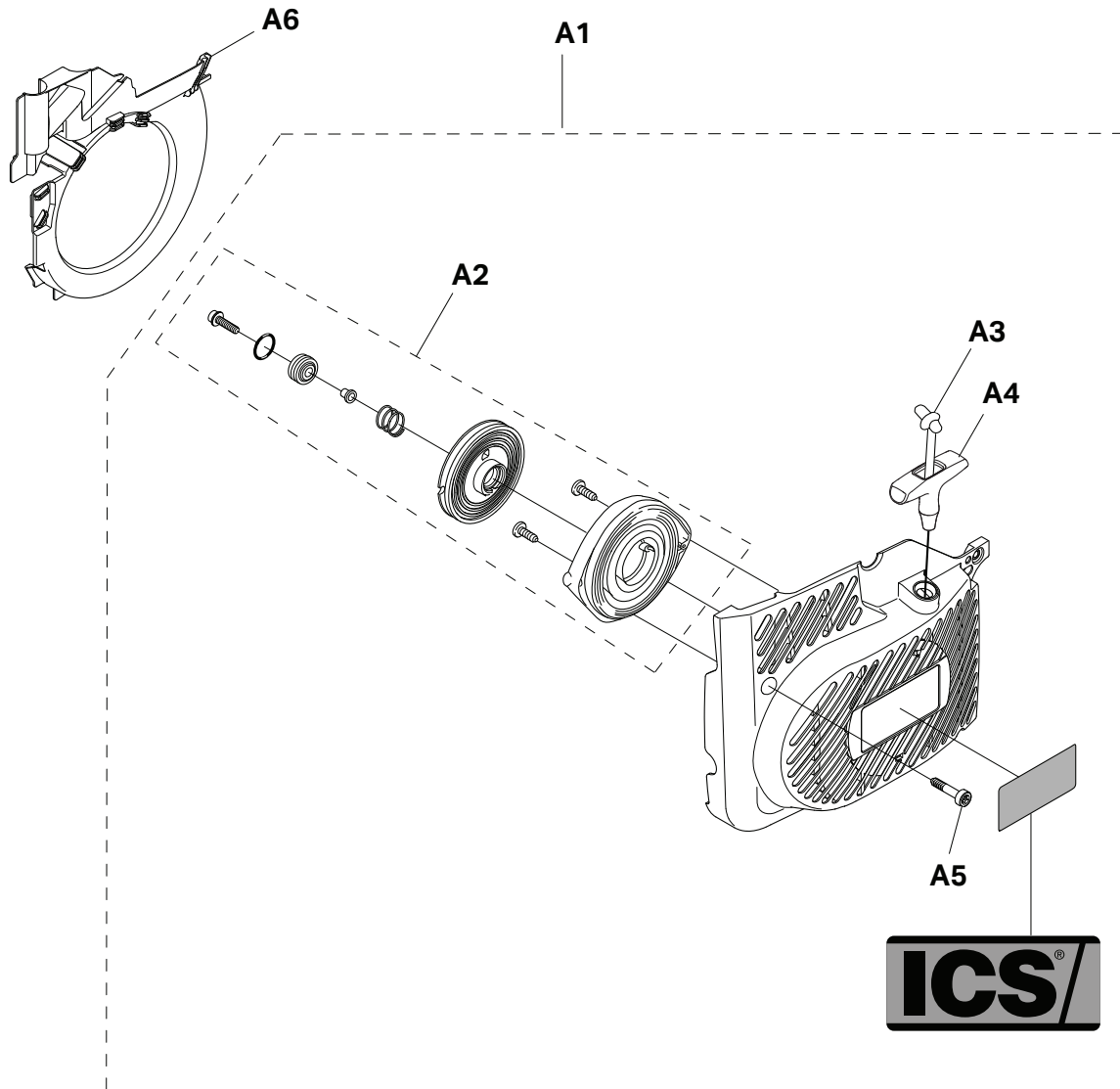
ITEM DESCRIPTION	KEY	PAGE
695XL Gas Saw Service Items	n/a	2
Starter Assembly	A	3
Flywheel & Ignition Assembly	B	4
Clutch Assembly & WallWalker®	C	5
Side Cover & Tensioner Assembly	D	6
Cylinder & Exhaust Assemblies	E	7
Crankcase Assembly	F	8
Crankshaft Assembly	G	9
Carburetor & Intake Assemblies	I	11
Cylinder & Air Filter Cover Assemblies	J	12
Fuel Tank Assembly	K	13
Water Delivery System	L	14

SERVICE ITEMS

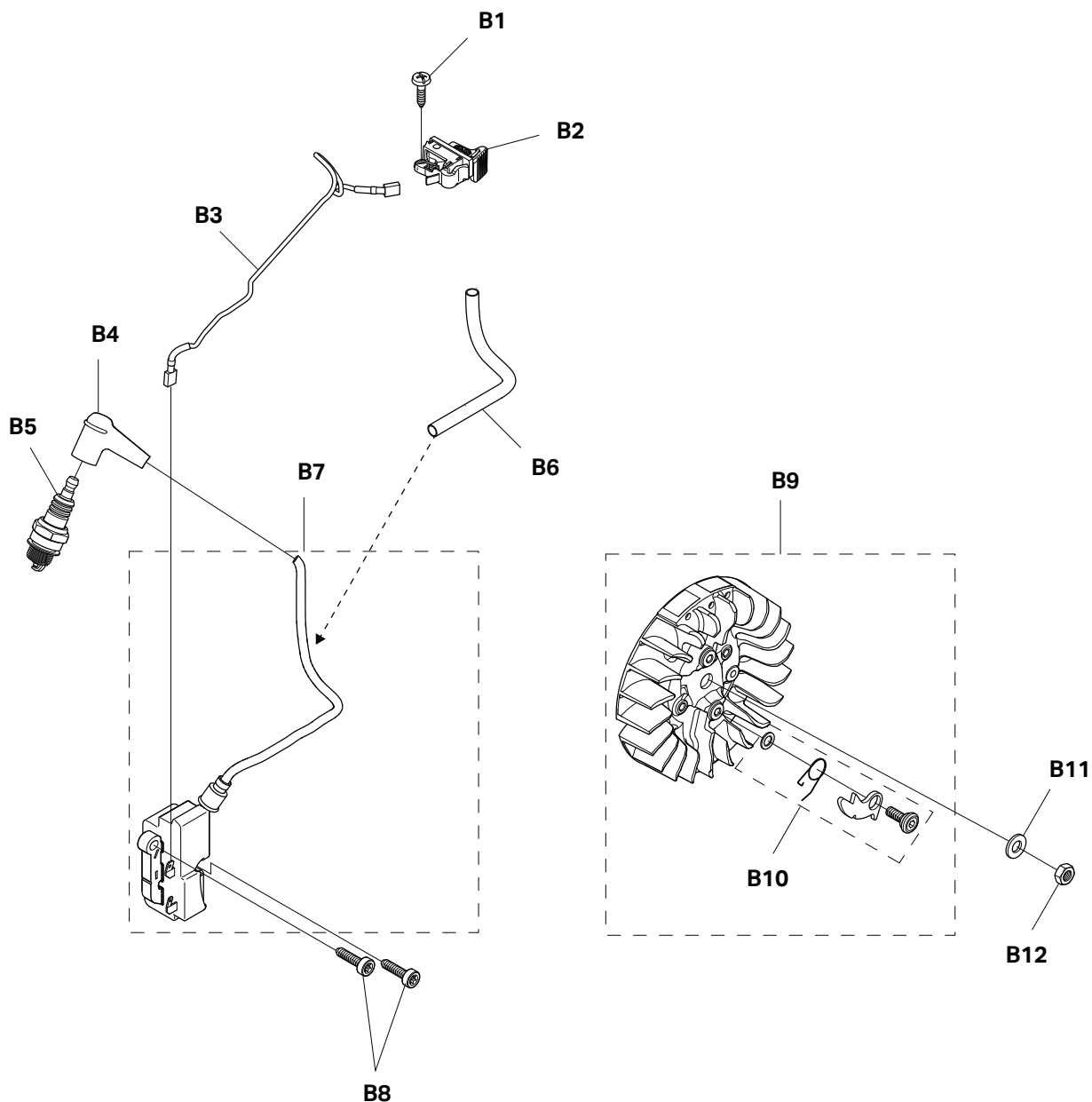
695XL Gas Concrete Saw



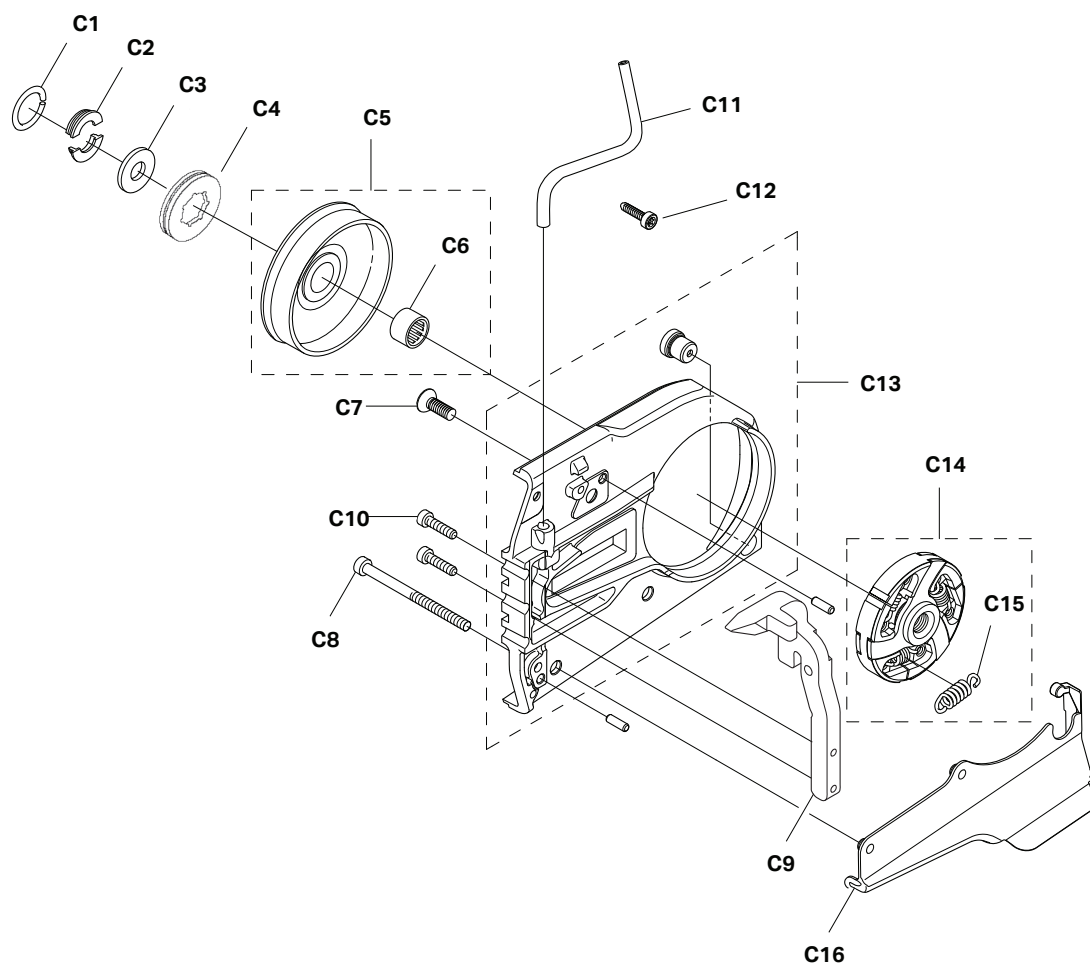
Key #	Part No.	Description	MSRP
1	71541	Pressure Gauge Bulb	\$75.55
2	71543	Cylinder Assembly Clamps & Piston Stop	\$16.00
3	71565	Electronic Tachometer	\$355.00
4	546191	Workshop Key Torx T27	\$30.40
5	546192	Test Spark Plug	\$23.50
6	546193	Air Gap Gauge	\$4.80
7	546194	Flywheel Puller	\$59.35
8	547277	Piston Stop	\$2.55
9	546196	Wrist Pin Punch	\$21.00
10	546197	Cylinder Seal, Exhaust	\$24.60
11	546198	Cylinder Seal, Inlet Port	\$73.10
12	546289	Puller, Sealing Ring	\$46.60
13	546292	Universal Puller	\$176.00
14	546293	Grip Plate	\$96.20
16	546295	Bearing Press	\$163.00
17	546307	Screwdriver, Idle	\$7.30
not shown	546659	Clutch Tool	\$45.35
not shown	544120	Flat Blade Srench	\$16.40
not shown	544119	Torque Srench	\$16.40
not shown	70249	14T Bar Nose Sprocket Repair Kit (for 695GC)	\$43.85
not shown	571227	OIL, 2-STROKE 2.6 OZ(6-PACK)	\$13.85



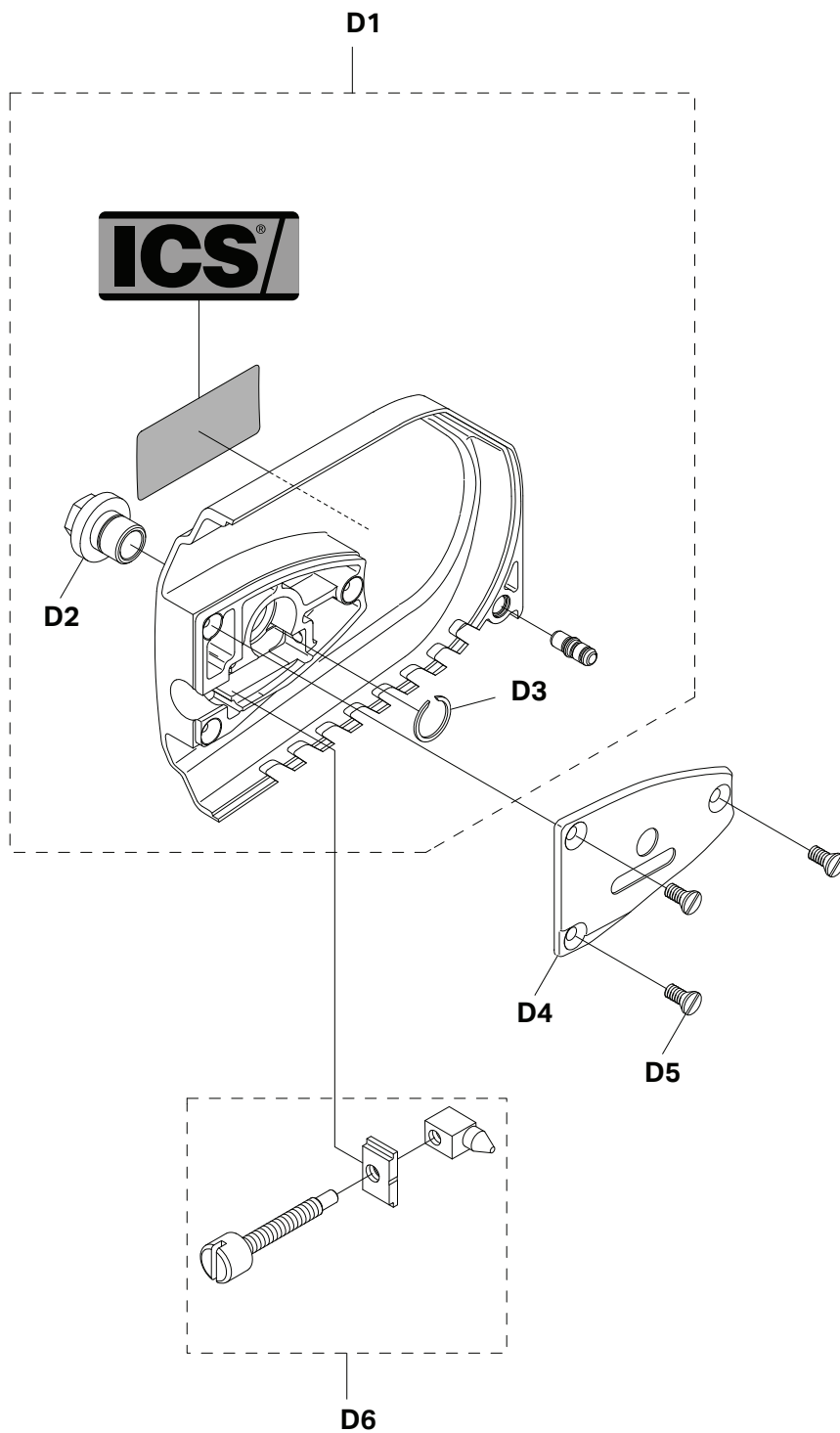
Key #	Part No.	Description	MSRP
A1	544013	STARTER COVER ASSEMBLY	\$171.00
A2	544127	STARTER PULLEY KIT, 695	\$95.90
A3	544023	STARTER CORD	\$19.95
A4	544024	STARTER HANDLE	\$11.95
A5	544012	SCREW	\$3.70
A6	544026	STARTER COVER SHIELD	\$13.05



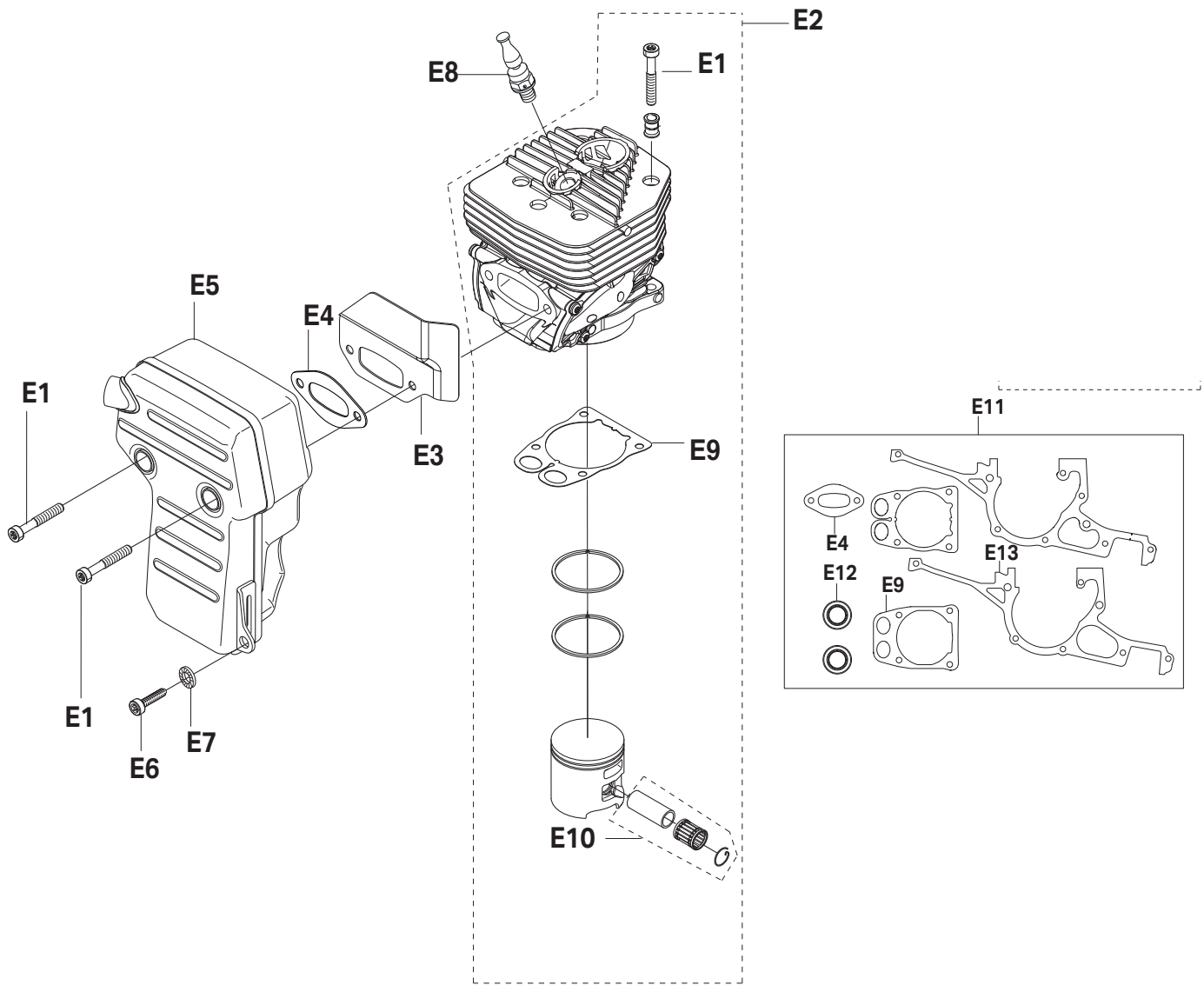
Key #	Part No.	Description	MSRP
B1	544030	STOP SWITCH SCREW	\$2.55
B2	544031	STOP SWITCH	\$23.50
B3	544032	STOP SWITCH CABLE	\$10.50
B4	544033	SPARK PLUG CAP	\$27.95
B5	544034	SPARK PLUG	\$4.45
B6	544035	PROTECTIVE SLEEVE	\$13.05
B7	544036	IGNITION MODULE	\$158.00
B8	544038	IGNITION MODULE SCREW	\$4.80
B9	544053	FLYWHEEL	\$311.00
B10	544125	STARTER PAWL KIT (INCL. TWO OF EACH ITEM)	\$50.00
B11	544058	STARTER WASHER	\$3.70
B12	544059	STARTER NUT	\$4.80



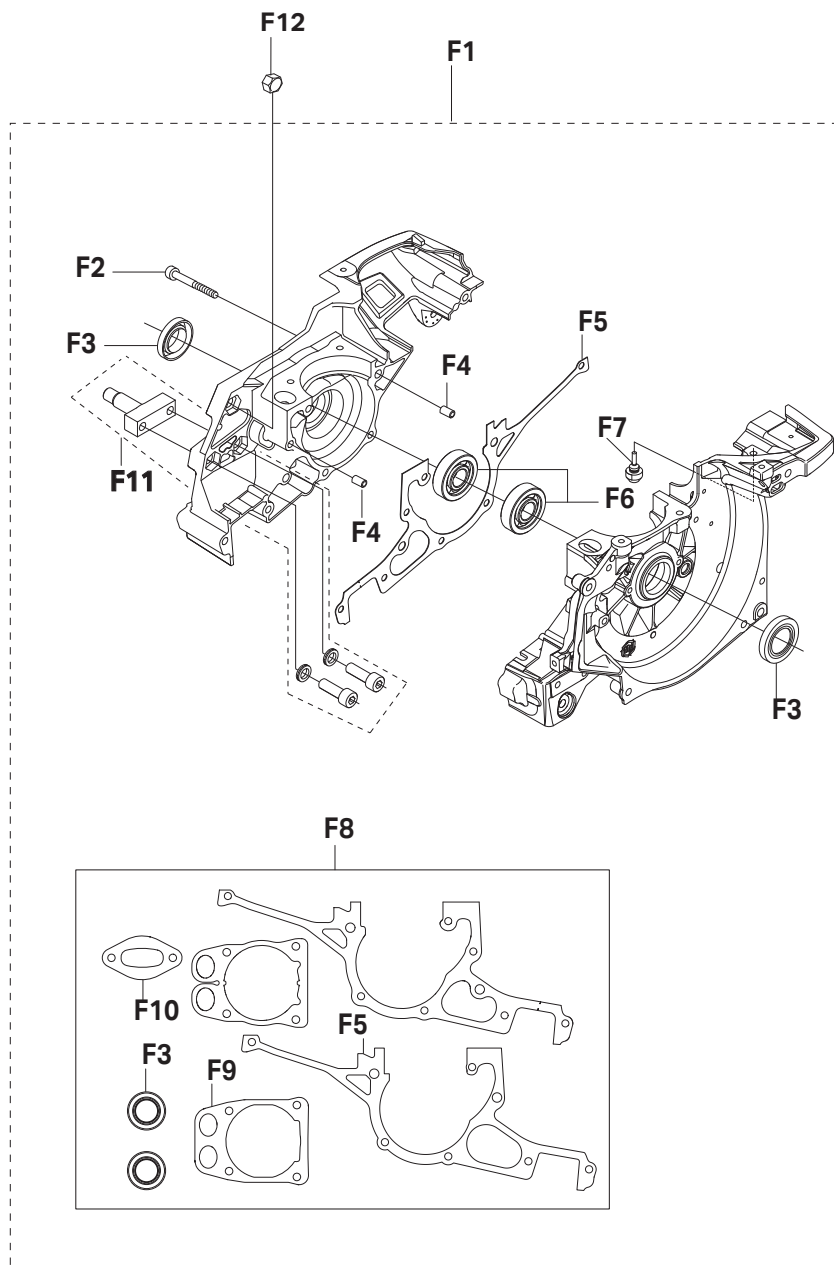
Key #	Part No.	Description	MSRP
C1	543905	RETAINING RING	\$3.60
C2	551384	SPLIT RETAINER, 695 (PAIR)	\$16.40
C3	543907	SPACER	\$16.40
C4	525496	695F4 FORCE4® SPROCKET	\$22.75
C4	70949	695GC RIM SPROCKET	\$16.25
C5	543909	CLUTCH CUP	\$163.00
C6	543910	NEEDLE BEARING	\$19.80
C7	543911	BAR BRACKET SCREW	\$6.00
C8	543912	CRANK CASE BOLT	\$16.40
C9	544130	WALLWALKER®	\$174.00
C10	543920	WALLWALKER® SCREW	\$6.00
C11	543915	WATER PIPE	\$16.40
C12	546548	WATER PIPE SCREW	\$2.55
C13	543916	BAR BRACKET	\$241.00
C14	547856	CLUTCH KIT	\$261.00
C15	543928	CLUTCH SPRING	\$8.25
C16	544137	SHIELD	\$11.95



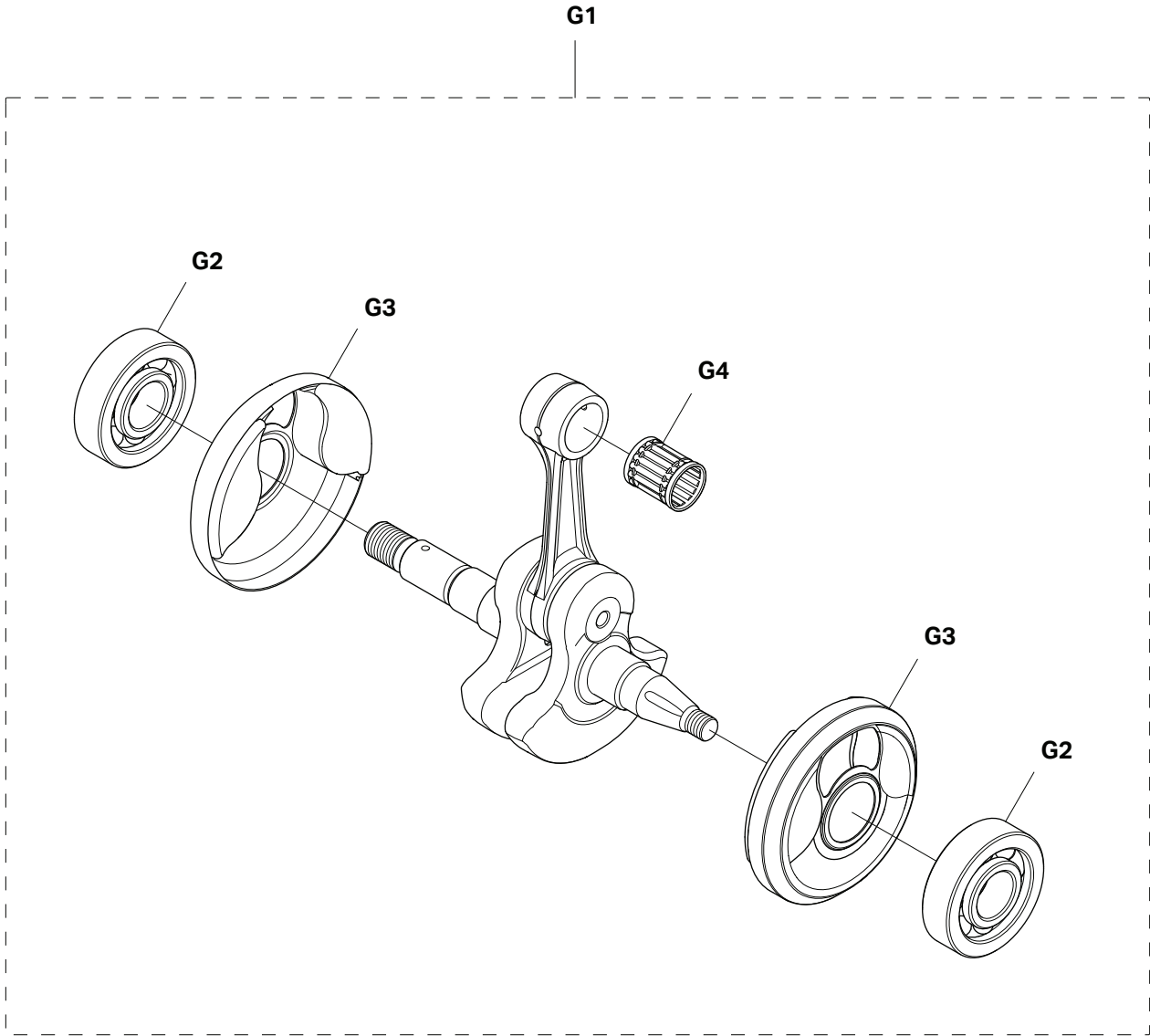
Key #	Part No.	Description	MSRP
D1	543899	SIDE COVER (INCLUDES #D2 & D3)	\$254.00
D2	543900	SIDE COVER NUT	\$29.15
D3	543901	SIDE COVER NUT CIRCLIP	\$3.60
D4	543902	TENSIONER COVER PLATE	\$15.15
D5	543903	SCREW, SIDE COVER CAP	\$1.35
D6	543904	TENSIONER	\$85.30



Key #	Part No.	Description	MSRP
E1	543942	CYLINDER/MUFFLER SCREW	\$4.80
E2	576169	PISTON/CYLINDER KIT	\$522.00
E3	543844	HEAT DEFLECTOR	\$15.15
E4	543938	MUFFLER GASKET	\$6.25
E5	543845	MUFFLER	\$54.55
E6	543846	LOWER MUFFLER MOUNTING SCREW	\$3.60
E7	543847	MUFFLER MOUNTING WASHER	\$4.80
E8	576166	DECOMPRESSION VALVE	\$39.50
E9	576165	CYLINDER BASE GASKET	\$4.80
E10	543949	NEEDLE BEARING	\$21.00
E11	543936	GASKET KIT	\$37.30
E12	543931	SEALING RING	\$16.40
E13	543933	CRANKCASE GASKET	\$31.50

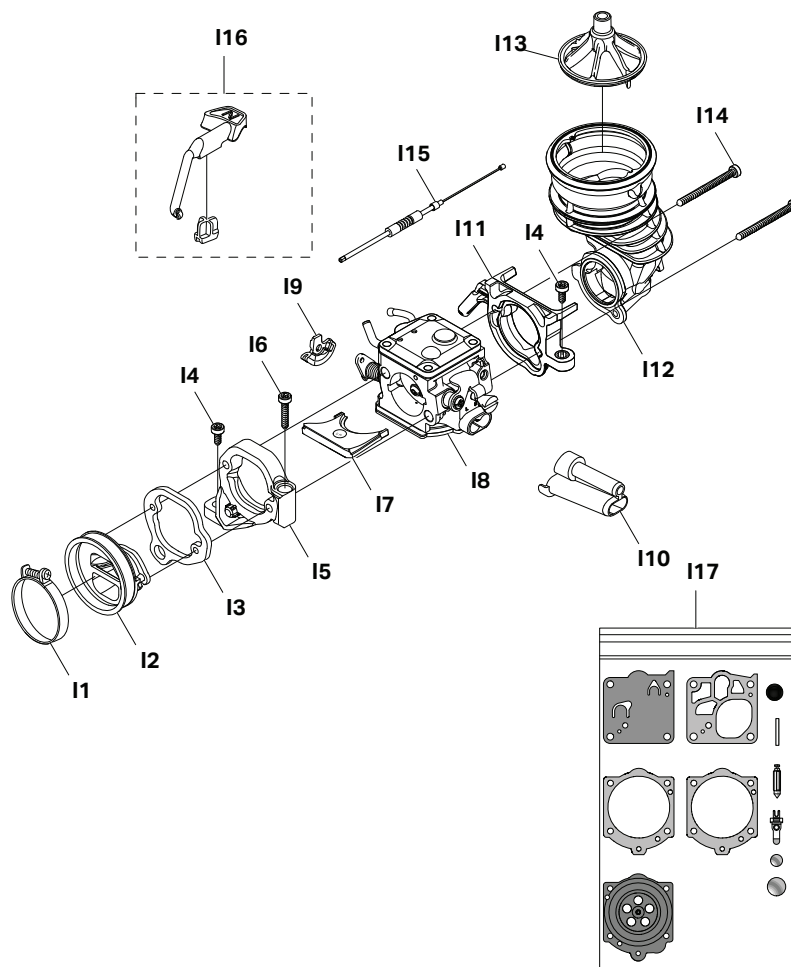


Key #	Part No.	Description	MSRP
F1	576170	CRANKCASE ASSEMBLY	\$638.00
F2	543930	CRANKCASE SCREW	\$3.70
F3	543931	SEALING RING	\$16.40
F4	543932	GUIDE BUSHING	\$4.80
F5	543933	CRANKCASE GASKET	\$31.50
F6	543934	MAIN BEARING	\$29.35
F7	543935	RUBBER BUSHING	\$4.80
F8	543936	GASKET KIT	\$37.30
F9	543937	CYLINDER BASE GASKET	\$4.80
F10	543938	MUFFLER GASKET	\$6.25
F11	544129	BAR STUD KIT	\$90.50
F12	543941	BAR BRACKET FASTENER	\$4.80

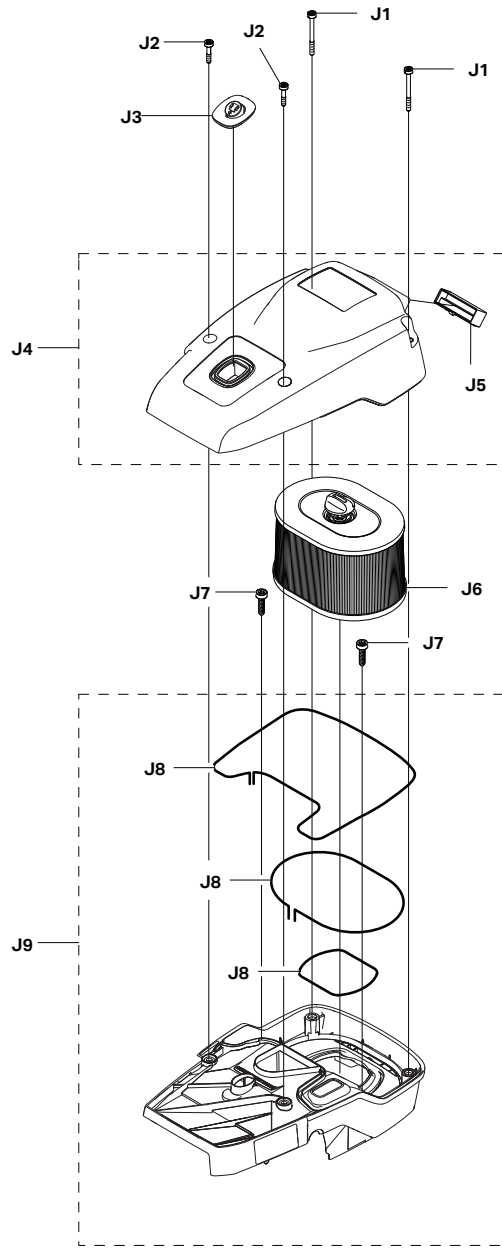


Key #	Part No.	Description	MSRP
G1	543952	CRANKSHAFT ASSEMBLY	\$342.00
G2	543934	MAIN BEARING	\$29.35
G3	543953	CRANKSHAFT SHIELD	\$26.85
G4	543949	NEEDLE BEARING	\$21.00

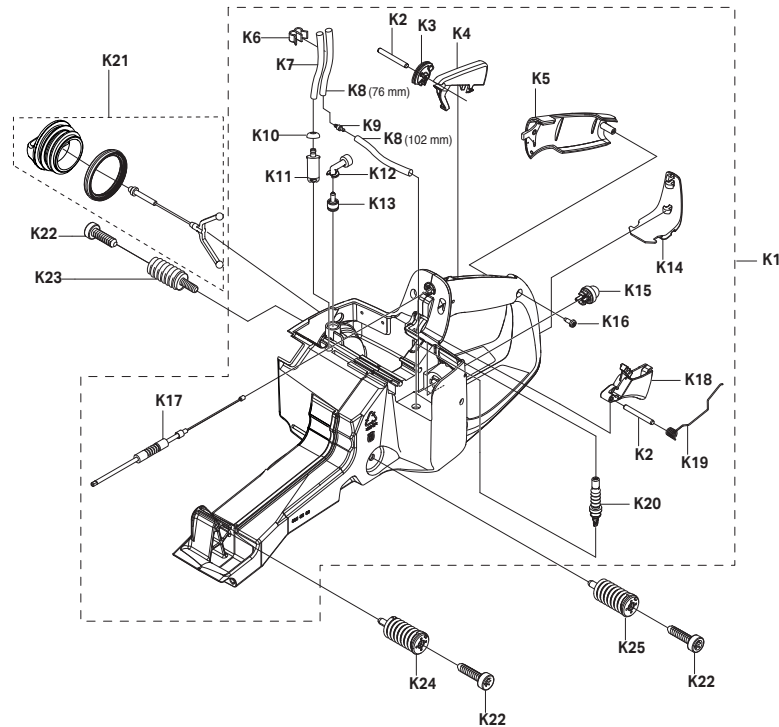
THIS PAGE INTENTIONALLY LEFT BLANK



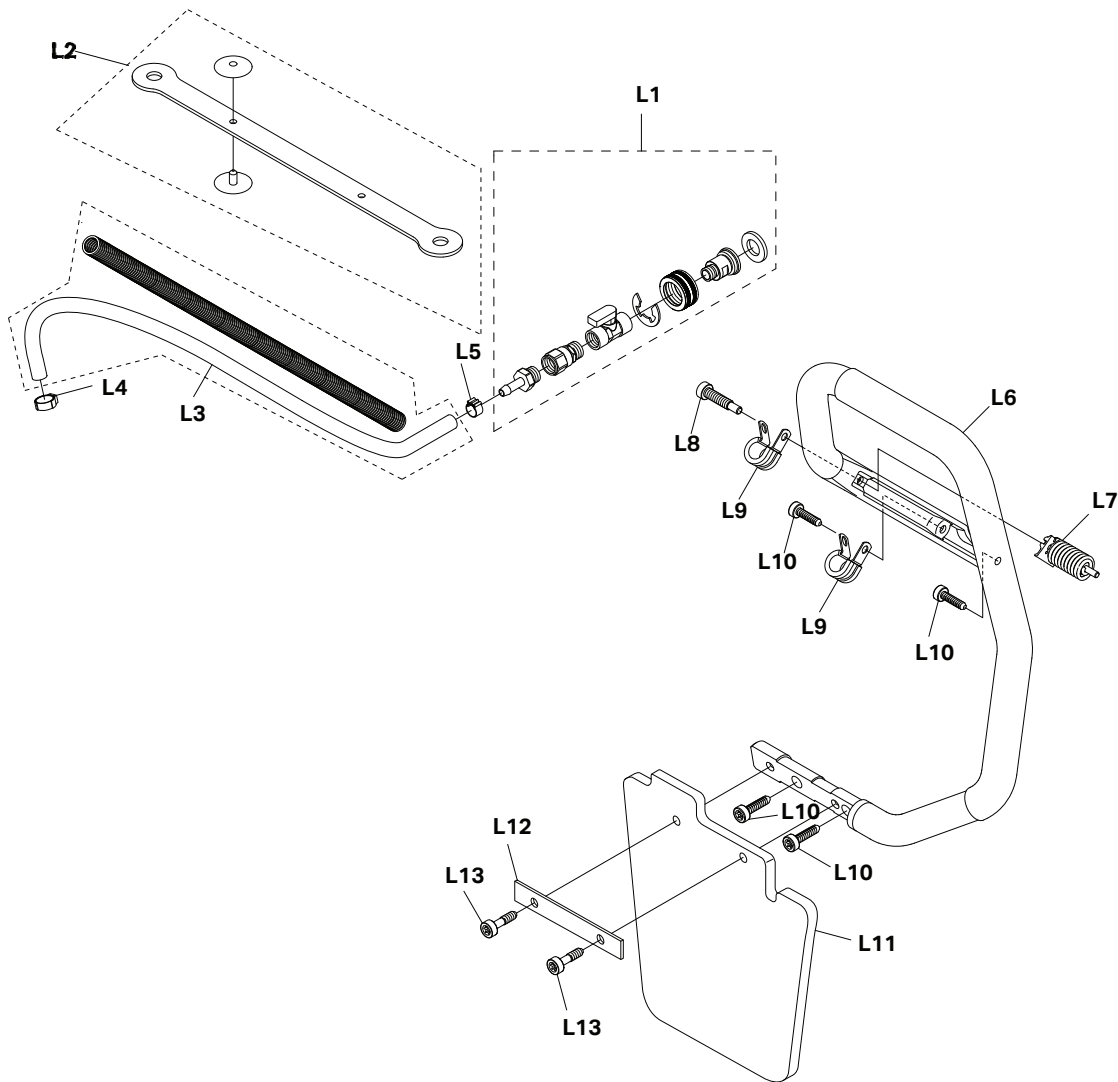
Key #	Part No.	Description	MSRP
I1	544069	INLET BOOT CLAMP	\$10.50
I2	544070	INLET BOOT	\$70.95
I3	544071	FLANGE	\$19.95
I4	544072	FLANGE CLUTCH SIDE SCREW	\$3.70
I5	544073	FLANGE BRACKET	\$21.00
I6	544065	SCREW	\$3.70
I7	544074	SEPARATOR PLATE	\$26.85
I8	544075	CARBURETOR (WALBRO RWJ-7)	\$354.00
I9	544111	THROTTLE CABLE LEVER	\$4.80
I10	576168	ADJUSTMENT GUIDE	\$2.75
I11	544112	MANIFOLD BRACKET	\$7.30
I12	544113	AIR INTAKE MANIFOLD	\$24.60
I13	544114	AIR FILTER BRACKET	\$10.50
I14	544115	CARBURETOR MOUNTING SCREW	\$4.80
I15	543975	THROTTLE CABLE ASSEMBLY	\$52.45
I16	544117	CHOKE LEVER	\$14.20
I17	576161	CARBURETOR REPAIR KIT (Only for 695XL, will not fit 695GC/F4/PG)	\$109.00



Key #	Part No.	Description	MSRP
J1	544060	FILTER COVER REAR SCREW	\$4.80
J2	544061	FILTER COVER FRONT SCREW	\$6.25
J3	576167	PLUG (may be required on older 695GC/F4 models)	\$8.35
J4	544062	FILTER COVER	\$37.30
J5	544063	AIR INTAKE INSERT	\$4.80
J6	544064	AIR FILTER	\$33.80
J7	544065	CYLINDER COVER SCREW	\$3.70
J8	544067	CYLINDER COVER SEALS	\$11.95
J9	544066	CYLINDER COVER ASSEMBLY	\$69.85



Key #	Part No.	Description	MSRP
K1	543812	FUEL TANK ASSEMBLY	\$163.00
K2	543813	PARALLEL PIN	\$3.60
K3	543814	CABLE LEVER	\$3.60
K4	543815	THROTTLE LOCK OUT LEVER	\$8.25
K5	543816	REAR HANDLE COVER	\$9.45
K6	543818	CLIP	CALL
K7	543993	FUEL LINE	\$10.50
K8	543994	CHECK VALVE TUBE	\$6.25
K9	543969	CHECK VALVE	\$19.95
K10	543970	HOSE CLAMP	\$4.80
K11	543971	FUEL FILTER	\$14.20
K12	544990	TANK VENT ELBOW	\$74.50
K13	544122	TANK VENT	\$19.95
K14	543972	REAR HANDLE GROUND SUPPORT	\$14.20
K15	543973	PURGE BULB	\$22.10
K16	543974	REAR HANDLE SCREW	\$2.55
K17	543975	THROTTLE CABLE ASSEMBLY	\$52.45
K18	543976	THROTTLE TRIGGER	\$7.30
K19	543977	TRIGGER SPRING	\$6.25
K20	543995	PURGE BULB TUB	\$6.25
K21	543979	GAS TANK CAP ASSEMBLY	\$14.20
K22	543981	SHOCK ABSORBER SCREW	\$3.70
K23	543982	SHOCK ABSORBER CLUTCH SIDE	\$45.00
K24	543983	SHOCK ABSORBER FRONT	\$26.85
K25	543984	SHOCK ABSORBER FLYWHEEL SIDE	\$29.35



Key #	Part No.	Description	MSRP
L1	543996	WATER HOSE VALVE ASSEMBLY	\$149.00
L2	547969	HOSE HANGER	\$27.95
L3	543999	WATER HOSE WITH PROTECTIVE COVERING	\$24.60
L4	544000	CLAMP, WATER HOSE	\$7.30
L5	544001	CLAMP, WATER HOSE VALVE SIDE	\$4.80
L6	544002	FRONT HANDLE	\$557.00
L7	544003	SHOCK ABSORBER, FRONT HANDLE	\$29.35
L8	543981	SCREW, SHOCK ABSORBERS	\$3.70
L9	544008	CLIP, FRONT HANDLE	\$6.25
L10	544009	SCREW, FRONT HANDLE	\$4.80
L11	576679	MUD FLAP	\$51.40
L12	544011	BACKING PLATE, MUD FLAP	\$16.40
L13	544012	SCREW, MUD FLAP	\$3.70

695XL Replacement Parts & Accessories Price List

**ICS, Oregon Tool, Inc.
4909 SE International Way
Portland, OR 97222
800.321.1240
icsdiamondtools.com**