



# P110

## HYDRAULIC POWER UNIT



### SAFETY, OPERATION AND MAINTENANCE USER MANUAL





# TABLE OF CONTENTS

SAFETY SYMBOLS .....	4
SAFETY PRECAUTIONS.....	5
TOOL STICKERS & TAGS .....	6
HOSE REQUIREMENTS .....	7
HTMA REQUIREMENTS.....	8
OPERATION.....	9
ROUTINE MAINTENANCE .....	13
PROGRAMMABLE CONTROLLER .....	14
FAULT CODES .....	15
TESTING & TROUBLESHOOTING .....	16
TROUBLESHOOTING .....	17
SPECIFICATIONS .....	18
BRIGGS ENGINE ASSEMBLY .....	19
BRIGGS ENGINE PARTS LIST.....	20
P110 FRAME PARTS LIST.....	21
HOSE FITTINGS & CLAMPS LIST .....	22
P110 WIRING HARNESS.....	23
LIMITED WARRANTY POLICY.....	24

**SERVICING THE ICS POWER UNIT:** This manual contains safety, operation, and routine maintenance instructions. ICS recommends that servicing of hydraulic tools, other than routine maintenance, must be performed by an authorized and certified dealer. Please read the following warning.

## **⚠ WARNING**

**SERIOUS INJURY OR DEATH COULD RESULT FROM THE IMPROPER REPAIR OR SERVICE OF THIS TOOL.**

**REPAIRS AND / OR SERVICE TO THIS TOOL MUST ONLY BE DONE BY AN AUTHORIZED AND CERTIFIED DEALER.**

For the nearest authorized and certified dealer, visit our website, [icsdiamondtools.com](http://icsdiamondtools.com) or call 1-800-321-1240 and ask for a Customer Service Representative.

# SAFETY SYMBOLS

Safety symbols and signal words, as shown below, are used to emphasize all operator, maintenance and repair actions which, if not strictly followed, could result in a life-threatening situation, bodily injury or damage to equipment.



This is the safety alert symbol. It is used to alert you to potential personal injury hazards. Obey all safety messages that follow this symbol to avoid possible injury or death.

This safety alert and signal word indicate an imminently hazardous situation which, if not avoided, will result in death or serious injury.

This safety alert and signal word indicate a potentially hazardous situation which, if not avoided, could result in death or serious injury.

This safety alert and signal word indicate a potentially hazardous situation which, if not avoided, may result in minor or moderate injury.

This signal word indicates a potentially hazardous situation which, if not avoided, may result in property damage.

This signal word indicates a situation which, if not avoided, will result in damage to the equipment.

This signal word indicates a situation which, if not avoided, may result in damage to the equipment.

Always observe safety symbols. They are included for your safety and for the protection of the tool.

## LOCAL SAFETY REGULATIONS

Enter any local safety regulations here. Keep these instructions in an area accessible to the operator and maintenance personnel.

---

---

---

---

---

---

---

---

---

---

---

---

---

---

---

---

---

# SAFETY PRECAUTIONS

Tool operators and maintenance personnel must always comply with the safety precautions given in this manual and on the stickers and tags attached to the equipment.

These safety precautions are given for your safety. Review them carefully before operating the tool and before performing general maintenance or repairs.

Supervising personnel should develop additional precautions relating to the specific work area and local safety regulations. If so, place the added precautions in the space provided in this manual.

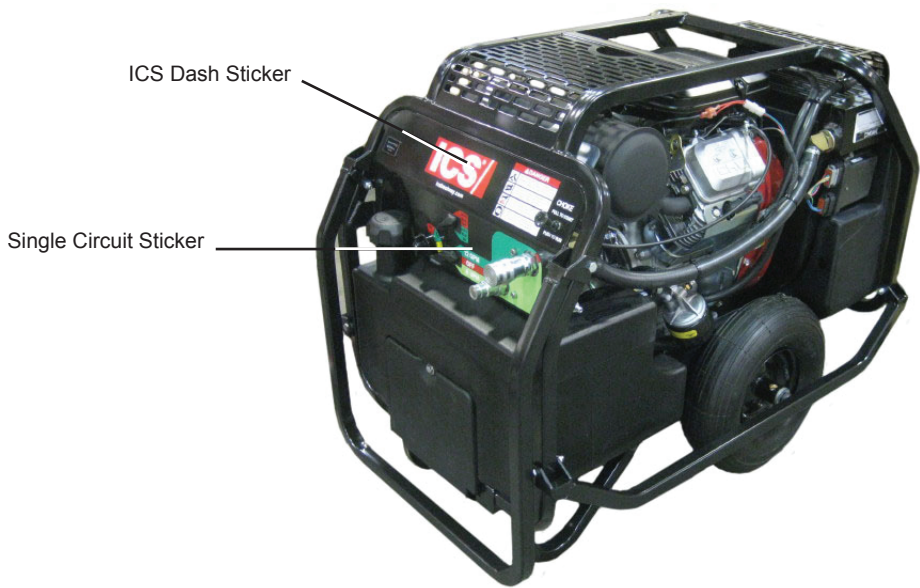
In addition to this manual, read and understand safety and operating instructions in the Engine Operation Manual furnished with the power unit.

The Hydraulic Power Unit will provide safe and dependable service if operated in accordance with the instructions given in this manual. Read and understand this manual and any stickers and tags attached to the Power Unit. Failure to do so could result in personal injury or equipment damage.



- Operator must start in a work area without bystanders. The operator must be familiar with all prohibited work areas such as excessive slopes and dangerous terrain conditions.
- Establish a training program for all operators to ensure safe operation.
- Do not operate the power unit unless thoroughly trained or under the supervision of an instructor.
- Always wear safety equipment such as goggles, ear, head protection, and safety shoes at all times when operating the power unit and a hydraulic tool.
- Do not inspect or clean the power unit while it is running. Accidental engagement of the unit can cause serious injury.
- Always use hoses and fittings rated at 2500 psi/172 bar with a 4 to 1 safety factor. Be sure all hose connections are tight.
- Be sure all hoses are connected for correct flow direction to and from the tool being used.
- Do not inspect hoses and fittings for leaks by using bare hands. "Pin-hole" leaks can penetrate the skin.
- NEVER OPERATE THE POWER UNIT IN A CLOSED SPACE. Inhalation of engine exhaust can be fatal.
- Do not operate a damaged, improperly adjusted power unit.
- Never wear loose clothing that can get entangled in the working parts of the power unit.
- Keep all parts of your body away from the working parts of the power unit.
- Keep clear of hot engine exhaust.
- Do not add fuel to the power unit while the power unit is running or is still hot.
- Do not operate the power unit if gasoline odor is present.
- Do not use flammable solvents around the power unit engine.
- Do not operate the power unit within 3.3 ft/1 m of buildings, obstructions or flammable objects.
- Do not reverse tool rotation direction by changing fluid flow direction.
- Allow power unit engine to cool before storing in an enclosed space.
- Always keep critical tool markings, such as labels and warning stickers legible.
- To avoid personal injury or equipment damage, all tool repair, maintenance and service must only be performed by authorized and properly trained personnel.

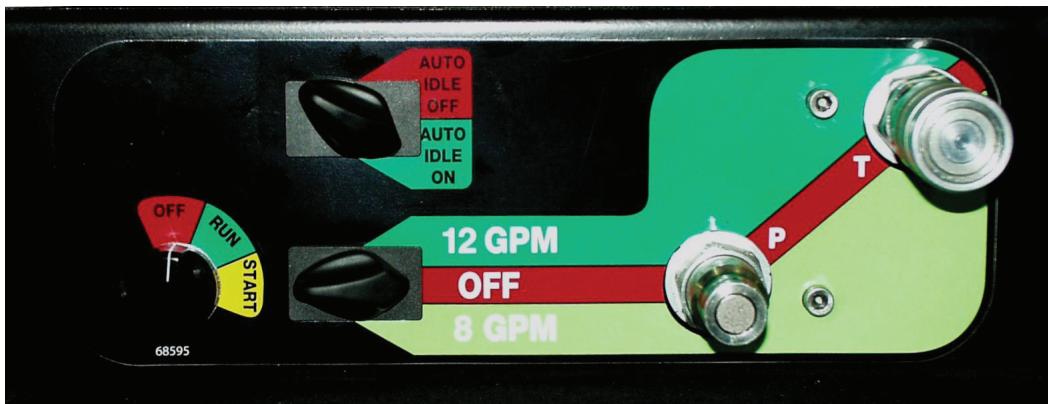
# TOOL STICKERS & TAGS



ICS Dash Sticker



Single Circuit Sticker



Hydraulic hose types authorized for use with ICS are as follows:

**Certified non-conductive** — *Hose labeled **certified non-conductive** is the only hose authorized for use near electrical conductors.*

**Wire-braided** (conductive) — *This hose is **conductive** and must never be used near electrical conductors.*

**Fabric-braided** (not certified or labeled non-conductive) — *This hose is **not certified non-conductive** and must never be used near electrical conductors.*

## HOSE PRESSURE RATING

The rated working pressure of the hydraulic hose **must be equal to or higher than** the relief valve setting on the hydraulic system.

# HTMA REQUIREMENTS

## TOOL CATEGORY



### HYDRAULIC SYSTEM REQUIREMENTS

	TYPE I	TYPE II	TYPE III	TYPE RR
FLOW RATE	4–6 gpm (15–23 lpm)	7–9 gpm (26–34 lpm)	11–13 gpm (42–49 lpm)	9–10.5 gpm (34–40 lpm)
TOOL OPERATING PRESSURE (At the power supply outlet)	2000 psi (138 bar)	2000 psi (138 bar)	2000 psi (138 bar)	2000 psi (138 bar)
SYSTEM RELIEF VALVE SETTING (At the power supply outlet)	2100–2250 psi (145–155 bar)	2100–2250 psi (145–155 bar)	2100–2250 psi (145–155 bar)	2200–2300 psi (152–159 bar)
MAXIMUM BACK PRESSURE (At tool end of the return hose)	250 psi (17 bar)	250 psi (17 bar)	250 psi (17 bar)	250 psi (17 bar)
Measured at a max. fluid viscosity of: (At min. operating temperature)	400 ssu* (82 centistokes)	400 ssu* (82 centistokes)	400 ssu* (82 centistokes)	400 ssu* (82 centistokes)
TEMPERATURE	140 °F (60 °C)	140 °F (60 °C)	140 °F (60 °C)	140 °F (60 °C)
Sufficient heat rejection capacity to limit max. fluid temperature to: (At max. expected ambient temperature)				
Min. cooling capacity at a temperature difference of between ambient and fluid temps	3 hp (2.24 kW) 40 °F (22 °C)	5 hp (3.73 kW) 40 °F (22 °C)	7 hp (4.47 kW) 40 °F (22 °C)	6 hp (5.22 kW) 40 °F (22 °C)
<b>NOTE:</b> Do not operate the tool at oil temperatures above 140 °F (60 °C). Operation at higher temperatures can cause operator discomfort at the tool.				
FILTER				
Min. full-flow filtration	25 microns	25 microns	25 microns	25 microns
Sized for flow of at least:	30 gpm	30 gpm	30 gpm	30 gpm
(For cold temp. start-up and max. dirt-holding capacity)	(114 lpm)	(114 lpm)	(114 lpm)	(114 lpm)
HYDRAULIC FLUID	100–400 ssu*	100–400 ssu*	100–400 ssu*	100–400 ssu*
Petroleum based (Premium grade, anti-wear, non-conductive)		(20–82 centistokes)		
VISCOSITY (At min. and max. operating temps)				
<b>NOTE:</b> When choosing hydraulic fluid, the expected oil temperature extremes that will be experienced in service determine the most suitable temperature viscosity characteristics. Hydraulic fluids with a viscosity index over 140 will meet the requirements over a wide range of operating temperatures.				

\*SSU = Saybolt Seconds Universal

### NOTE:

These are general hydraulic system requirements. See tool Specification page for tool specific requirements.



## PREPARATION FOR USE

Do not operate the power unit until you have read the *engine* operating and maintenance instructions manual furnished with the unit.

### 1. ENGINE CRANKCASE OIL LEVEL

Always check the oil level before starting the engine. Make sure the oil level is at the FULL MARK on the dipstick. Do not overfill. Use detergent oil classified "For Service SE, SF, SG" as specified in the engine operating and maintenance manual. See engine manual for oil viscosity grade.

### 2. SPARK PLUG

On power units equipped with Briggs & Stratton Engines, ONLY Champion RC12YC or equivalent can be used.

Incorrect type spark plugs can produce radio frequency interference that will corrupt and damage the controller. Failure to use the correct spark plug could result in a warranty that will not be considered.

### 3. ENGINE FUEL LEVEL

Check the fuel level. If low, fill with unleaded gasoline with a minimum of 85 octane.

### 4. HYDRAULIC FLUID

Check the dip stick in the hydraulic fluid reservoir for the proper fluid level. Use fluids meeting the following specifications.

The following fluids work well over a wide temperature range, allow moisture to settle out and resist biological growth that may occur in cool operating hydraulic circuits. These fluids are recommended by ICS. Other fluids that meet or exceed the specifications of these fluids may also be used.

- Chevron AW-MV-32
- Exxon "Univis" J-26
- Mobil D.T.E. 13
- Gulf "Harmony" AW-HVI-150-32
- Shell "Tellus" T-32
- Texaco "Rando" HD-AZ
- Union "Unax" AW-WR-32
- Terresolve EnviroLogic 132

### 5. HYDRAULIC CONNECTIONS

The recommended hose length is 25 ft/8 m with a 1/2 inch/12.7 mm inside diameter. The hoses must have a working pressure rating of at least 2500 psi/175 bar. Each hose end must have male thread ends compatible with HTMA (HYDRAULIC TOOL MANUFACTURERS ASSOCIATION) quick disconnect fittings (NPT type threads). (See Figure 2.)

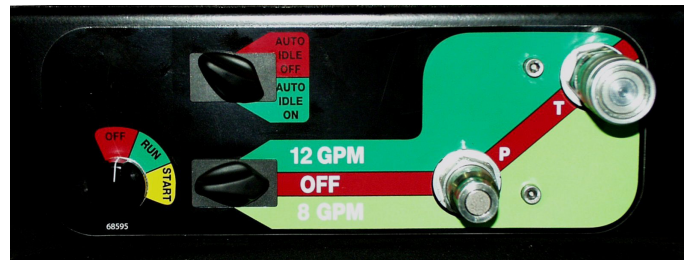


Figure 1. Control Panel

Facing the control panel, the bottom male quick disconnect fitting is the PRESSURE FLUID OUT fitting. The top female quick disconnect fitting is the RETURN FLUID IN fitting (see Figure 1).

### QUICK DISCONNECT COUPLERS

HTMA-approved quick disconnect couplings are installed to hydraulic hoses so that the direction of oil flow is always from the male to the female quick disconnect as shown in Figure 2. Quick disconnect couplings and hose fittings are selected so that additional fittings such as reducer or adapter fittings are not required.

## VISCOSITY (FLUID THICKNESS)

U.S.	METRIC
50 °F 450 SSU Maximum	10 °C 95 C.S.
100 °F 130-200 SSU	38°C 27–42 C.S.
140 °F 85 SSU Minimum	60 °C 16.5 C.S. Min
<b>Pour Point</b> -10 °F/-23 °C Minimum (for cold startup)	
<b>Viscosity Index</b> (ASTM D-2220) 140 Minimum	
<b>Demulsibility</b> (ASTM D-1401) 30 Minutes Maximum	
<b>Flash Point</b> (ASTM D-92) 340 °F/171 °C Minimum	
<b>Rust Inhibition</b> (ASTM D-665 A & B) Pass	
<b>Oxidation</b> (ASTM D-943) 1000 Hours Minimum	
<b>Pump Wear Test</b> (ASTM D-2882) 60 mg Maximum	

# OPERATION

If adapter fittings are used, they must be approved steel hydraulic fittings meeting a minimum operating pressure rating of 2500 psi/172 bar. Do not use galvanized pipe fittings or black pipe fittings.

Use thread tape or pipe joint compound when installing quick disconnect couplings to hose or tool fittings. Follow the instructions furnished with the selected thread sealant. **DO NOT OVERTIGHTEN THE FITTINGS.**

## 6. BATTERY

The supplied 12-Volt DC battery is a non-spillable, maintenance-free battery and is fully charged.

Make sure the battery cables are tight and charging circuit functions are operating properly.

### NOTICE

Do not charge the battery with a standard automotive battery charger. This type of charger produces a charging amperage higher than 2 amps. Charging the battery at higher than 2 amps will damage the battery.

### NOTICE

If the engine runs out of gas or dies during operation and the ignition switch is left in the ON or RUN position, this could drain the battery. Make sure the ignition switch is returned to the OFF position.

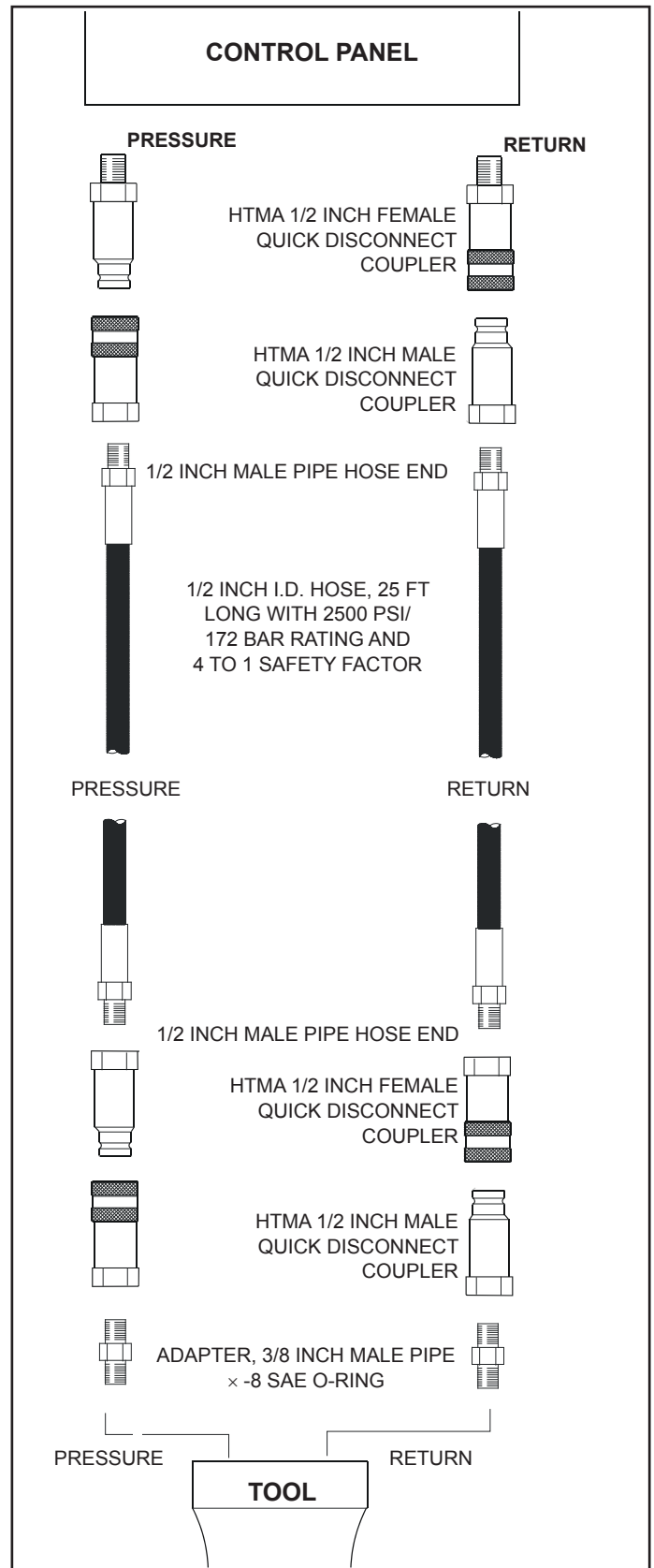


Figure 2. Hydraulic Connections

## Controls

This unit is equipped with an advanced proportional engine control system. It provides a means of controlling engine speed by adjusting the fuel control lever with an actuator. The Power Unit provides one circuit, with an oil flow of 8 gpm/30 lpm up to 2000 psi/140 bar or 12 gpm/45 lpm up to 2000 psi/140 bar with a factory-programmed electronic governed engine throttle.

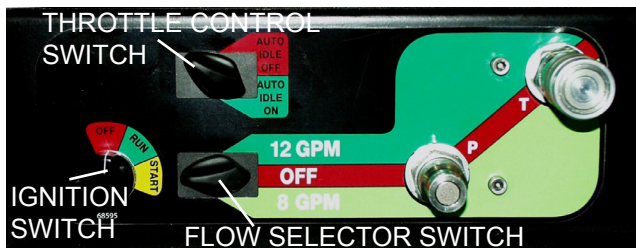


Figure 3. Control Panel

One hydraulic tool can be connected to the tool circuit. The circuit is activated by turning the flow control switch to either the 8 gpm/30 lpm or 12 gpm/45 lpm setting.

## THROTTLE CONTROL

The throttle control permits the operator to select one of 2 operating modes after the engine has warmed up. When starting the engine, make sure the flow selector switch is in the OFF position. The throttle control switch can be set in either the AUTO-IDLE-ON or AUTO-IDLE-OFF positions.

### AUTO-ON

When the throttle control switch is in the “AUTO-ON” position, the oil flow is regulated automatically when the trigger on the tool is activated. When the tool is not being used the engine will return to idle automatically, after a 10 second delay.

This setting will produce 8 gpm/30 lpm or 12 gpm/45 lpm depending on which position the operator has selected with the flow selector switch.

### AUTO-OFF

When the throttle control switch is in the “AUTO-OFF” position, the engine speed is held to maintain 8 gpm/30 lpm or 12 gpm/45 lpm depending on which position the operator has selected with the flow selector switch. When a tool is not being used the engine will not return to idle until either the flow selector switch is turned to the OFF position or the throttle control switch is turned to AUTO-ON.

## NOTE:

**It may be necessary to reset the Controller.**

At times it may be necessary to reset the controller. This could happen if a fault occurs in the controller. For example, excessive engine speed. If a fault does occur the power unit will return to an idle and the operator will have no control of the unit. To reset the controller, simply turn off the power unit and restart it.

## STARTUP

Before starting the engine make sure the flow selector switch is in the OFF position.

## NOTE:

**The power unit will not start if the flow control switch is not in the “OFF” position.**

Pull choke knob out and move the Throttle Control Switch to the auto-idle-off or the auto-idle-on position, whichever mode of operation the operator prefers. Ensure the flow selector switch is in the OFF position.

Turn the Ignition Switch to the START position. After the engine starts, release the switch.

Gradually push in the choke knob as the engine begins to idle smoothly.

Allow the engine to warm up.

Connect hoses and the tool as described on pages 9 and 10.

## FOR 8 GPM OPERATION

For 8 gpm operation, select mode of operation with the Throttle Control switch, either auto-idle-on or the auto-idle-off position. Move the flow selector switch to the 8 gpm position.

When finished operating the tool, move the flow selector switch to the OFF position.

## FOR 12 GPM OPERATION

For 12 gpm operation, select mode of operation with the Throttle Control Switch, either auto-idle-on or the auto-idle-off position. Move the flow selector switch to the 12 gpm position.

When finished operating the tool, move the flow selector switch to the OFF position.

## COLD WEATHER STARTUP

1. Use the procedures described under “STARTUP” and then follow the procedure below.
2. Hydraulic fluids are thicker in cold weather. Therefore, it is recommended that the engine be run at low idle long enough to bring the fluid temperature up to a minimum of 50 °F/10 °C.
3. If the tools and tool hoses are cold, it is recommended to allow hydraulic fluid to circulate through the tool hoses until warm before using the tool.

## SHUTDOWN

1. Ensure the flow selector switch in the OFF position (center position).
2. Unless already at idle the power unit should return to idle. This may take a few seconds for the unit to react due to a built-in program delay.
3. Allow the engine to idle for approximately one minute and move the Ignition Switch to the OFF position.

## ENGINE MAINTENANCE

Follow the maintenance schedule and general maintenance instructions in the engine maintenance and operation manual furnished with the power unit.

## HYDRAULIC SYSTEM MAINTENANCE

- Check hydraulic fluid level daily. Add fluid per specifications in this manual. (See “HYDRAULIC FLUID” under the section titled “OPERATING INSTRUCTIONS”).
- Remove condensed moisture from the hydraulic fluid by pumping the hydraulic fluid into a 5 gal/20 l container through the pressure hose. Make sure the engine is at idle when performing this procedure. When the hydraulic reservoir is empty turn the engine off immediately.
- Allow the fluid to sit long enough for the water to settle to the bottom of the container. Slowly pour the fluid back into the hydraulic tank, avoiding the water at the bottom of the container.
- Each day, check hydraulic lines and fittings for leaks, kinks, etc. Do not use your hand to perform this check.
- Change the hydraulic filter element every 200 hours of operation. Change more often if cold, moist or dusty conditions exist.
- Check oil cooler for debris. Remove debris with air pressure.

## SPARK PLUG

On power units equipped with Briggs & Stratton Engines, ONLY Champion RC12YC or equivalent can be used.

Incorrect type spark plugs can produce radio frequency interference that will corrupt and damage the controller. Failure to use the correct spark plug could result in a warranty that will not be considered.

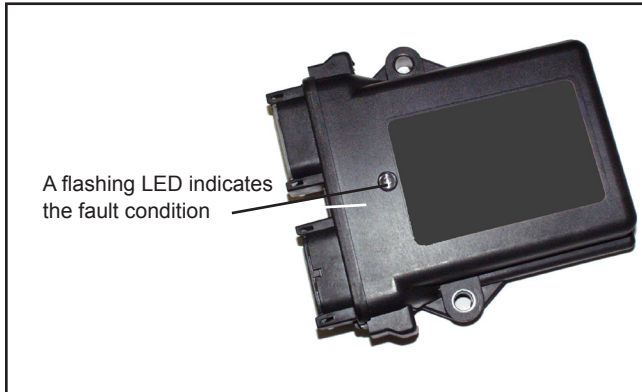
## STORAGE

- Clean the unit thoroughly before storage. Do not use water pressure.
- Always store the unit in a clean and dry facility.
- If the unit will be stored for a prolonged period (over 30 days), add a fuel additive to the fuel tank to prevent the fuel from gumming. Run engine for a short period to circulate the additive.
- Replace crankcase oil with new oil.
- Remove spark plugs and pour approximately 1 ounce (30 ml) of engine oil into each cylinder. Replace spark plugs and crank the engine slowly to distribute the oil.
- Check hydraulic reservoir for water. If water is found, change the oil and circulate it through the tool hose and tool. (See “HYDRAULIC SYSTEM MAINTENANCE” earlier in this section).
- Disconnect tool hoses.

# PROGRAMMABLE CONTROLLER

The ICS programmable controller is an electronic engine governor that provides a means of controlling and limiting engine speed by adjusting the fuel control lever with a proportional actuator.

The controller is factory programmable and has no manual adjustments.



## CALIBRATION

Calibration and programming can only be done by the factory.

## TROUBLESHOOTING GUIDELINES

Please follow the checklist below to troubleshoot your ICS controller.

1. Check battery voltage for stability and correct value. The LED will turn on for one second when the controller is first powered up.
2. Check the actuator linkage for binding and backlash.

## CHECKING PERFORMANCE CONTROL (ELECTRONIC GOVERNOR-STATIC CHECK)

To determine whether a governor problem is being caused by the actuator or the control module, perform the following static check exactly in order shown.

A pair of jumper wires and a known good 12-volt battery is required.

1. Disconnect red and green wires from the control module to actuator.
2. Attach jumper wires from battery to RED and GREEN wires to actuator.
  - a. Attach 12 volt + (positive) to RED wire.
  - b. Attach 12 volt – (negative) to GREEN wire.
3. Actuator should move throttle lever to wide open position.
  - a. If actuator does not move it is defective. (Replace).
  - b. If actuator moves throttle to wide-open position, the module is defective. (Replace). Note: Before replacing the actuator, verify signal inputs to module (see ICS Electrical Trouble shooting guide “TechHELP # 032807). Contact a customer service representative.

## FAULT CODES

The ICS controller is capable of identifying certain fault conditions and alerting the user to them. A flashing LED indicates the fault conditions. The current fault code list is shown on the following page. Please note the following:

1. When power is first applied to the controller, the LED will flash just once for one second to indicate that the LED is working.
2. If there are multiple faults, the LED will flash them all in sequence. Count the flash codes to determine the fault conditions.
3. If there are no faults, the LED will flash once at reset and from then on indicate the detection of engine speed. A continuous ON LED indicates that a valid engine speed is being sensed.
4. The controller will attempt to shut down for some faults and will not permit starting after reset with faults 1, 5 and 8.

# FAULT CODES

Flash Code	Fault	Engine Shutdown	Corrective Action
1	Unit not calibrated	Yes	Have engine serviced by an Authorized Service Center.
2	Engine speed excessive	Yes	Have engine serviced by an Authorized Service Center.
3	Engine speed unusually low	Yes	Have engine serviced by an Authorized Service Center.
4	Engine shutdown due to engine protection input	Yes	Have engine serviced by an Authorized Service Center.
5	Factory settings lost	Yes	Have engine serviced by an Authorized Service Center.
6	External pot out-of-range	No	Have engine serviced by an Authorized Service Center.
7	Accelerator position/idle switch conflict	No	Have engine serviced by an Authorized Service Center.
8	Controller unit failed	Yes	Have engine serviced by an Authorized Service Center.
9	Limiting excessive actuator current	No	Have engine serviced by an Authorized Service Center.
10	Engine speed input signal missing	No	(Active only in Auto crank mode). Check speed sensor wiring. Check starter motor.
11	Auto crank unable to start engine	No	Check fuel.
12	Auxiliary output is shorted	No	Check the lamp or relay hooked to the output. If fault is still present, have engine serviced by an authorized Service Center.
13	Auxiliary output #2 is shorted	No	Check the lamp or relay hooked to the output. If fault is still present, have engine serviced by an authorized Service Center.
14	Actuator disconnected or open circuit	No	Check actuator wiring and actuator resistance. Resistance should be less than 10 ohms.

# TESTING & TROUBLESHOOTING

## GENERAL

Tests and adjustments should be performed periodically to ensure the power unit is operating at maximum efficiency. Use a calibrated flow and pressure tester. This tester can be used to isolate problems in both the engine and hydraulic system prior to any power unit disassembly.

## TESTING THE HYDRAULIC CIRCUIT

The following tests can be performed to ensure that the hydraulic pump is supplying the correct flow and pressure and that the system relief valve is operating properly.

During these tests, make sure the engine is warm and operating smoothly. If test results are not as specified, refer to the troubleshooting table in this section for possible causes.

## TESTING THE 8 GPM HTMA TYPE II CIRCUIT OR THE 12 GPM TYPE III CIRCUIT

To test the circuit, proceed as follows:



1. Set the flow selector switch to the OFF (center) position.
2. Set the throttle control switch to AUTO-OFF position.
3. Use a calibrated flow and pressure tester across two hose ends (where the tool would normally be connected).
4. Fully open the tester restrictor valve (counterclockwise).
5. Start the engine and allow it to run until warm.
6. Switch the flow selector switch to 8 or 12 gpm depending on which flow you are testing.
7. With the engine at the programmed speed, the test flow gauge should read 7-9 gpm/26.5-34 lpm or 11-13 gpm/41.6-49 lpm.
8. Slowly turn the restrictor valve clockwise while watching the pressure gauge. The flow rate should stay at 7-9 gpm/26.5-34 lpm or 11-13 gpm/41.6-49 lpm as the pressure gauge reaches 2100-2200 psi/148-155 bar.
9. At 2100–2200 psi/148–155 bar, the relief valve should begin to open. The pressure at which the relief valve just begins to open is commonly referred to as the “cracking pressure”. At the “cracking pressure,” the flow rate should start to drop because the relief valve is allowing fluid to bypass to the hydraulic reservoir. The “cracking pressure” is preset at the factory and if it is not within the above range, the relief valve must be re-set as follows:
  - a. The relief valve is located on the right side of the unit just behind the dash panel. It protrudes out from the manifold assembly. Use an open end or box end wrench to loosen the nut on the relief valve.
  - b. Use an Allen wrench to adjust the relief valve. Turn clockwise to raise the pressure and counterclockwise to reduce the pressure.
  - c. Tighten the nut and retest.



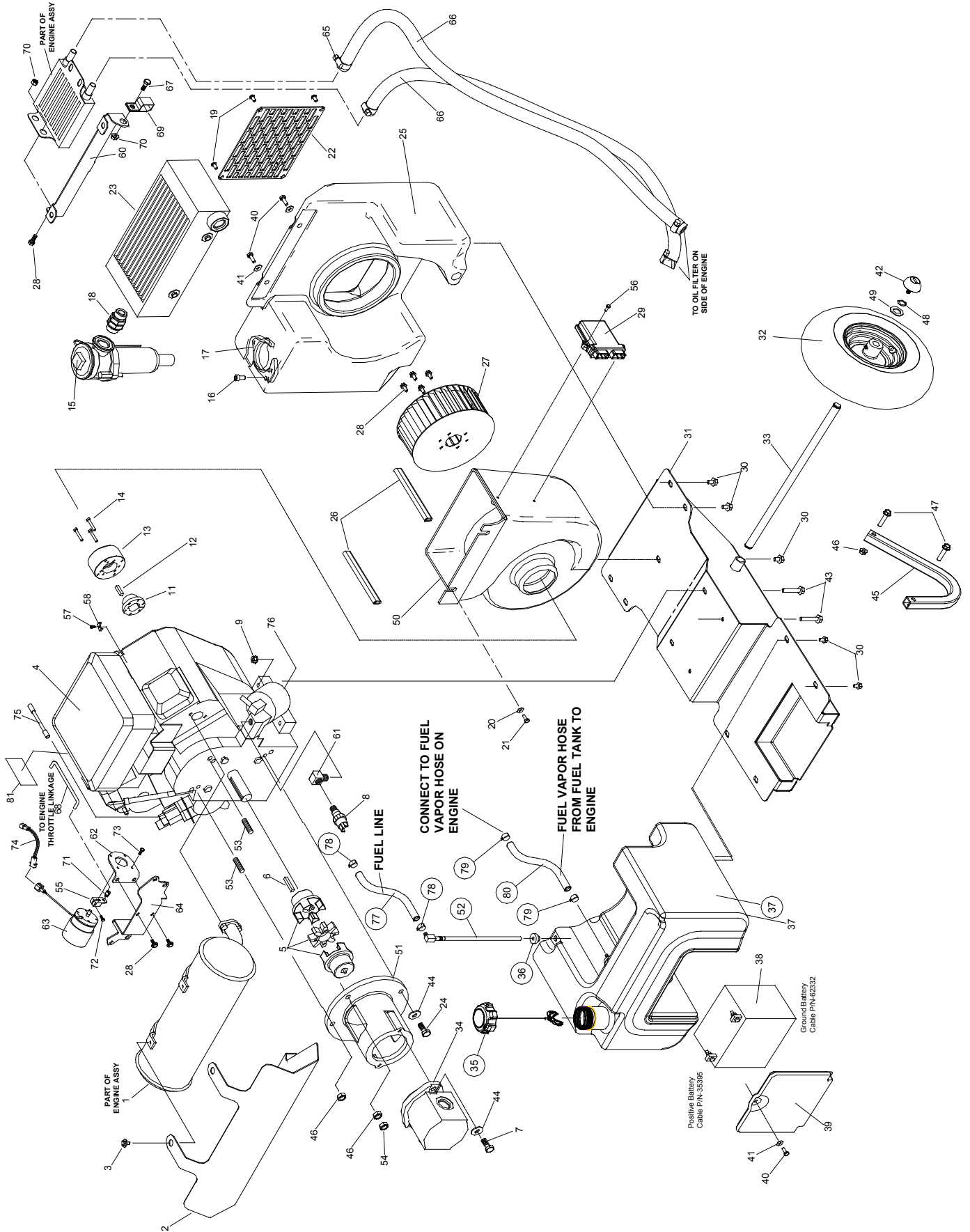
# TROUBLESHOOTING

Problem	Cause	Solution
Engine will not start.	Flow selector switch not in the OFF position.	Make sure the flow selector switch is in the OFF position when starting.
	Battery not connected.	Attach battery cables, check wires.
	Weak battery.	Test battery, charge or replace.
	No fuel.	Add fuel.
	Fuel filter plugged.	Replace fuel filter.
	Defective spark plugs.	Remove plugs, check gap, clean or replace.
Fluid blowing out of fluid reservoir vent.	Hydraulic tank overfilled.	Correct the fluid level.
	Pump suction leak.	Check suction connections. Tighten if necessary.
Hydraulic tool won't operate.	Flow selector switch not switched ON.	Check that the flow selector switch is set to 8 or 12 gpm.
	Incorrect hose connection to tool.	Make sure the tool hose circuit goes from left (pressure) fitting to tool and back to the right fitting (return). Fluid always flows from the male to female fittings.
	Quick disconnect fittings defective.	Detach from hose, connect set together and check for free flow.
	Hydraulic fluid level low.	Check for correct fluid level. Fill using the recommended fluid.
	Pump coupling defective.	With the engine not running: Check the coupling between the pump and engine that it is engaged and is not damaged. Caution: Keep hands clear of rotating objects.
	Relief valve stuck open.	Adjust or replace valve.
	Suction hose kinked.	Make sure suction hose from fluid reservoir to pump inlet has a smooth curve.
	Solenoid not working.	Check solenoid operation and electrical connections.
	Tool is defective.	Refer to tool manual.

# SPECIFICATIONS

Engine: .....	23 hp Briggs
Capacity.....	One 8 gpm/30 lpm Circuit or One 12 gpm/45 lpm Circuit
Length:.....	36 in./91.4 cm
Width: .....	23 in./58.4 cm
Height: .....	29.5 in./74.9cm
Weight (Wet): Single Circuit Briggs .....	330 lbs/149.6 kg
Fuel Tank Capacity: .....	6 gal./22.7 ltr
Estimated Gas Consumption Per Hour .....	1.3 gal/4 ltr
Hydraulic Reservoir Capacity: .....	3 gal./11 ltr
Relief Valve “Crack” Ssetting.....	2100 psi/145 bar
Full Relief Setting .....	2500 psi/172 bar
HTMA Category   .....	“D” (30 lpm @ 138 bar) or “E” (45 lpm @ 138 bar)

# BRIGGS ENGINE ASSEMBLY

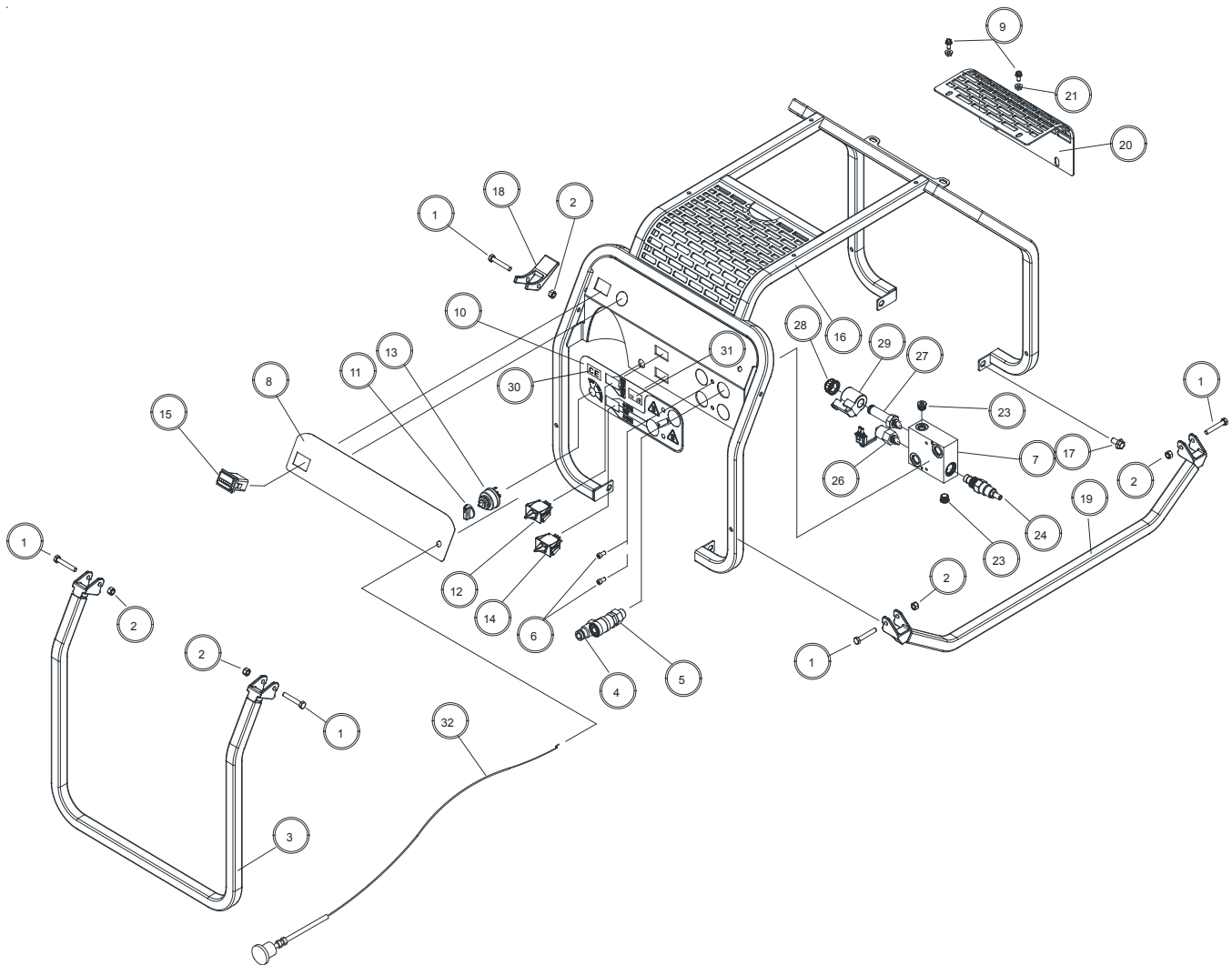


# BRIGGS ENGINE PARTS LIST

ITEM	P/N	QTY	DESCRIPTION
1		1	MUFFLER
1A		1	SPARK ARRESTER
2		1	HEAT SHIELD
3		2	SCREW, HEX WASHER
4		1	BRIGGS ENGINE
5		1	COUPLING
6		1	SQUARE KEY
7		2	CAPSCREW, 3/8-16 x 1-1/4
8		1	PRESSURE SWITCH
9		4	FLANGE NUT
10		1	CLAMP
11		1	BUSHING
12		1	KEY
13		1	BLOWER HUB
14		3	CAPSCREW
15		1	FILTER ASSY
16		2	CAPSCREW
17		1	GRIP PLATE
18		1	STD THREAD UNION
19		4	BUTTON HEAD HS
20		2	WASHER, 1/4 IN. ID
21		2	CAPSCREW, 1/2 -20 UNC
22		1	FRONT GRILLE
23		1	COOLER
24		2	CAPSCREW, 3/8
25		1	HYDRAULIC TANK
26		2	WEATHER STRIP
27		1	BLOWER WHEEL
28		4	HEX FLANGE BOLT, 1/4 -20
29		1	ENGINE CONTROLLER
30		9	HEX FLANGE BOLT 5/16-18 x 1/2
31		1	FRAME BASE WELDMENT
32		2	WHEEL & TIRE
33		1	AXLE
34		1	PUMP, SINGLE
35		1	FUEL CAP
36		1	GROMMET
37		1	FUEL TANK
38		1	BATTERY
39		1	BATTERY COVER
40		1	CAPSCREW, 1/4-20 x 3/4
41		1	HEX FLANGE BOLT
42		2	HANDLE BUMPER
43		3	HEX FLANGE BOLT, 5/16 x 1-3/4
44		4	LOCKWASHER, 3/8

ITEM	P/N	QTY	DESCRIPTION
45		2	FOOT
46		4	FLANG NUT, 3/8-16
47		4	HEX FLANGE BOLT, 3/8-16
48		2	RETAINING RING
49		2	WASHER, 3/4
50		1	BLOWER HOUSING
51		1	PUMP MOUNT
52		1	FUEL ELBOW
53		2	STUD
54		1	NUT
55		1	HEAT SHIELD
56		2	HEX WASHER HEAD SCREWS
57		1	SCREW
58		1	CABLE CLAMP
59		1	RECTIFIER WIRE
60		1	THROTTLE LEVER
61		2	HEX FLANGE BOLT
62		1	ANGLE BRACKET WELDMENT
63		1	ROTARY ACTUATOR
64		1	ACTUATOR BRACKET
66		1	WIRE ASSEMBLY
67		4	HEX HD CAPSCREW 6-32
69		1	HEX HD CAPSCREW 8-32
70		1	LINK RETAINER
71		3	SPRING HOSE CLAMP
72		1	FUEL VAPOR HOSE
73		1	BARB
74		1	EMISSIONS STICKER
75		2	SPRING HOSE CLAMP
76		1	HOSE (FUEL)
77		1	FUEL LINE
78		2	SPRING HOSE CLAMP
79		2	SPRING HOSE CLAMP
80		1	FUEL VAPOR HOSE
81		1	EMISSIONS STICKER

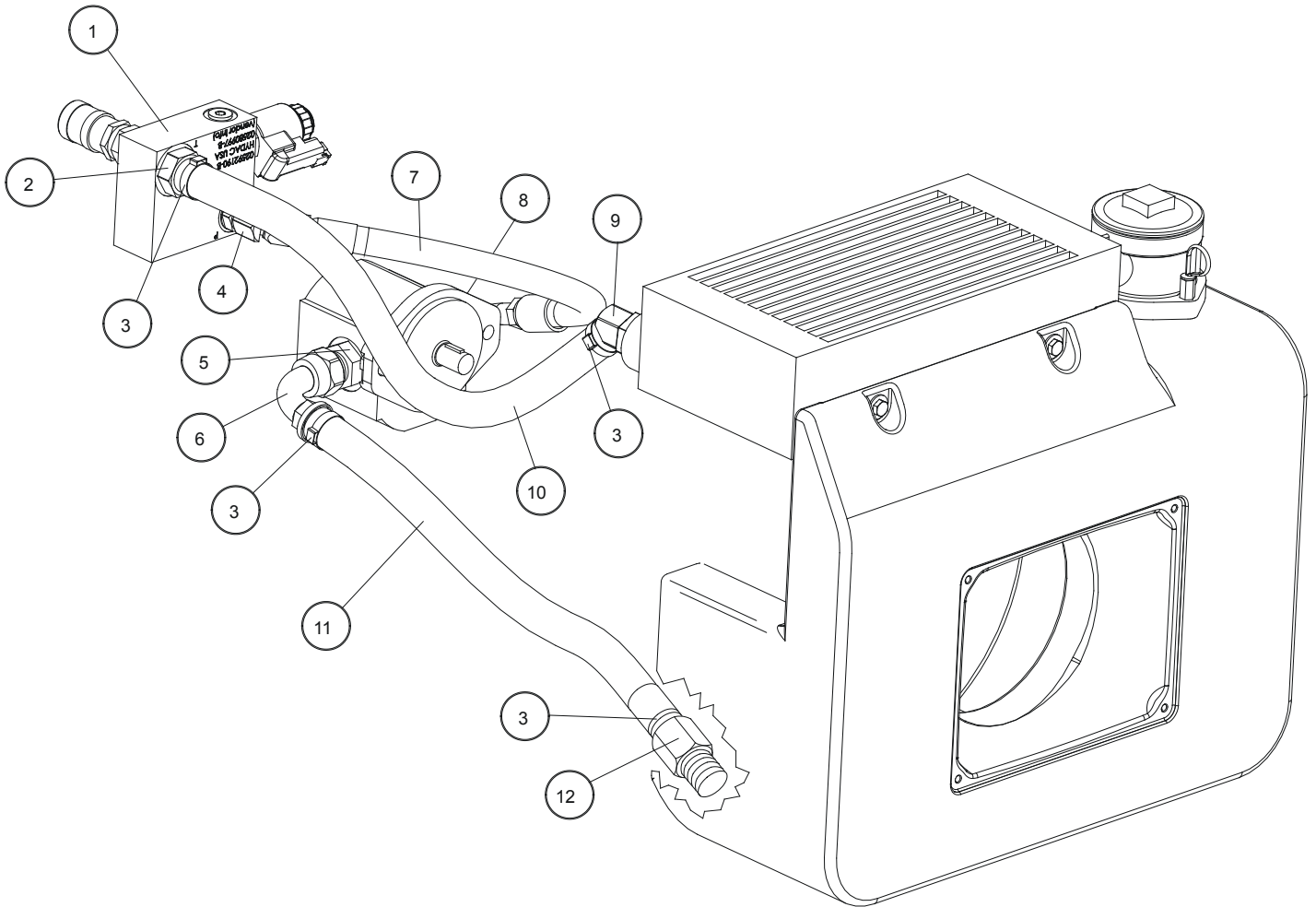
# P110 FRAME PARTS LIST



ITEM	P/N	QTY	DESCRIPTION
1		7	CAPSCREW, 5/16 IN. -18 UNC
2		7	NYLOCK NUT, 5/16 IN. -18 UNC
3		1	HANDLE, REAR LIFT
4		1	COUPLER, MALE 3/8 IN., -8 SAE
5		1	COUPLER, FEMALE 3/8 IN., -8 SAE
6		2	CAPSCREW, 1/4 IN. -20
7		1	MANIFOLD ASSY, SINGLE CIRCUIT
8		1	DASH DECAL
9		6	HEX FLANGE BOLT, 1/4 IN. -20
10		1	DECAL, SINGLE CIRCUIT
11		1	KNOB (PART OF ITEM 13)
12		1	2-WAY SWITCH
13		1	ROTARY SWITCH
14		1	3-WAY SWITCH
15		1	HOUR METER
16		1	FRAME WELDMENT

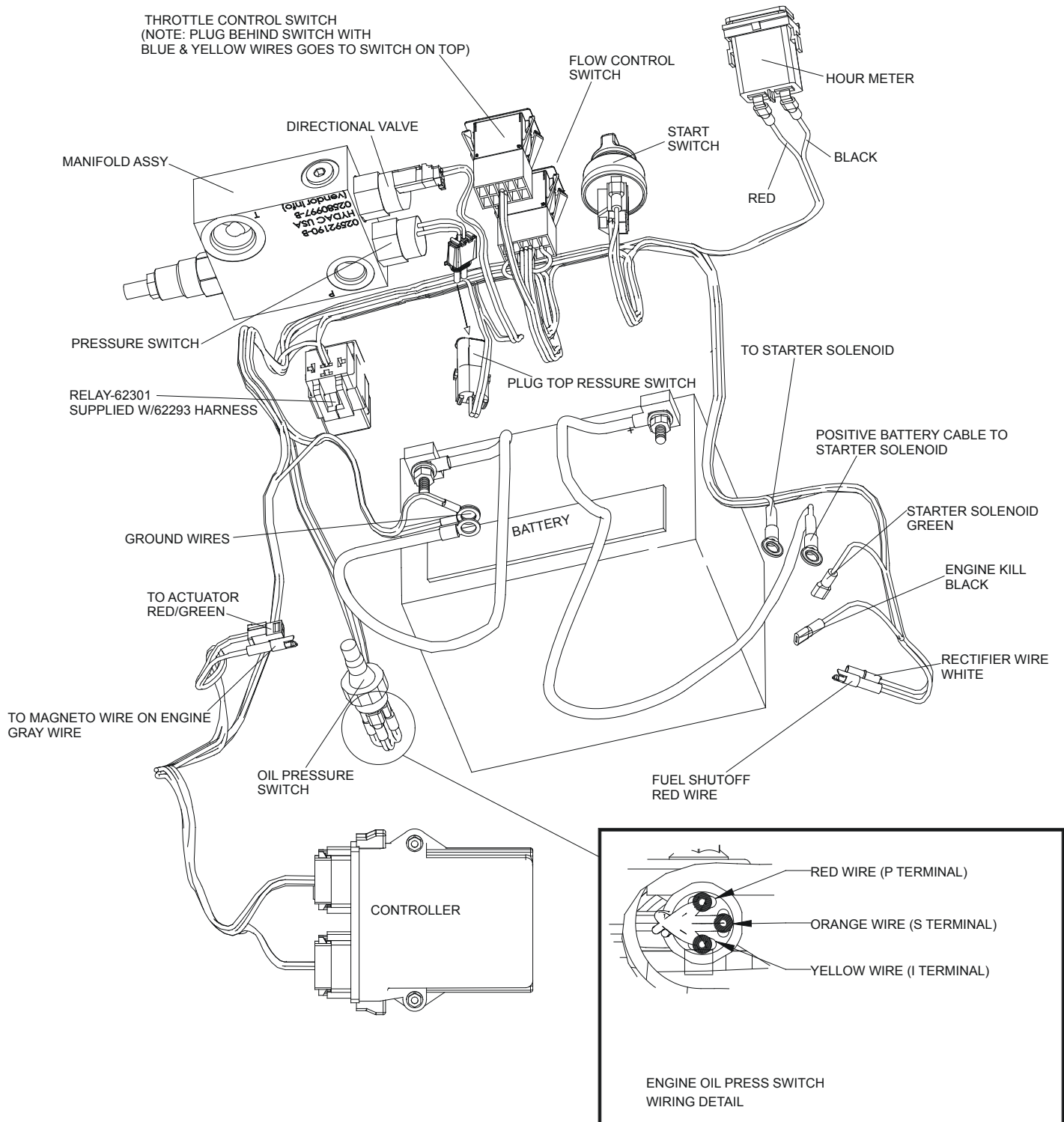
ITEM	P/N	QTY	DESCRIPTION
17		2	HEX FLANGE BOLT, 3/8 IN. -16
18		1	HANDLE LOCK
19		2	LIFT HANDLE
20		1	COOLER GUARD
21		2	FLANGE NUT, 1/4 IN. -20
22			NO ITEM
23		2	HOLLOW HEX PLUG 6 SAE
24		1	RELIEF VALVE
25		-	NO ITEM
26		1	PRESSURE SWITCH ASSY
27		1	DIRECTIONAL VALVE
28		1	CAP (INCLUDED WITH ITEM 27)
29		1	COIL
30		1	STICKER, CE
31		1	STICKER, SOUND POWER LEVEL
32		1	CHOKE CABLE ASSY

# HOSE FITTINGS & CLAMPS LIST



ITEM	P/N	QTY	DESCRIPTION
1		1	MANIFOLD ASSY, SINGLE CIRCUIT
2		1	HOSE BARB, 3/4 IN. HOSE × 3/4 IN. PIPE
3		4	HOSE CLAMP
4		1	ELBOW, 45° STRAIGHT THREAD
5		1	ADAPTER
6		1	ELBOW, 90°
7		1	HOSE
8		1	CONNECTOR, STRAIGHT THREAD
9		1	ELBOW, 45°
10		1	HOSE
11		1	HOSE
12		1	HOSE BARB, 3/4 IN. HOSE × 3/4 IN. PIPE

# P110 WIRING HARNESS



# LIMITED WARRANTY POLICY

This limited warranty is offered for 90 days (30 days if product is used in rental) from date of original purchase on ICS® manufactured parts. Components not manufactured by ICS® will be covered for the period and according to the provisions of each manufacturer's warranty. During the warranty period, ICS® will replace or, at its option, repair for the original purchaser only, free of charge, any product or part manufactured by ICS® which is found upon examination by ICS® to be defective in material and/or workmanship. The purchaser shall be responsible for all transportation charges and any cost of removing any part submitted for replacement under this warranty. This warranty does not cover any failure caused by accident, abuse, misuse, improper maintenance, normal wear, neglect, damage caused by stale or improper fuel mix or operation under conditions not specified by ICS®. There are no other warranties expressed or implied. There is no implied warranty of merchantability and no implied warranty of fitness for a particular purpose. Replacement or repair is the exclusive remedy, and ICS® disclaims all liability for incidental and consequential damages of any kind.

**POWER UNITS & GAS/FUEL DRIVEN EQUIPMENT:** A1. Federal Emission Component Compliance 40CFR part 1060.120 ICS warrants all fuel system emission components for 2 years from the date of original purchase provided there has been no abuse, neglect, modifications, or improper maintenance.

Components covered. The emission-related warranty covers all components whose failure would increase the evaporative emissions. Your emission related warranty does not cover components whose failure would not increase evaporative emissions. Coverage under this warranty extends only to the following parts; fuel tank, fuel cap, fuel hose and vapor hose from the fuel tank to the engine and any connectors that are apart of the fuel system.

The equipment is designed, built, and equipped so it conforms at the time of sale to the ultimate purchaser and each subsequent purchaser and is in compliance with 40 C.F.R. 1060.120 standards. The equipment is free from defects in materials and workmanship that may keep it from meeting these requirements.







**Diamond Tools and Equipment**

ICS, Blount Inc.  
4909 SE International Way  
Portland, Oregon 97222  
[icsdiamondtools.com](http://icsdiamondtools.com)