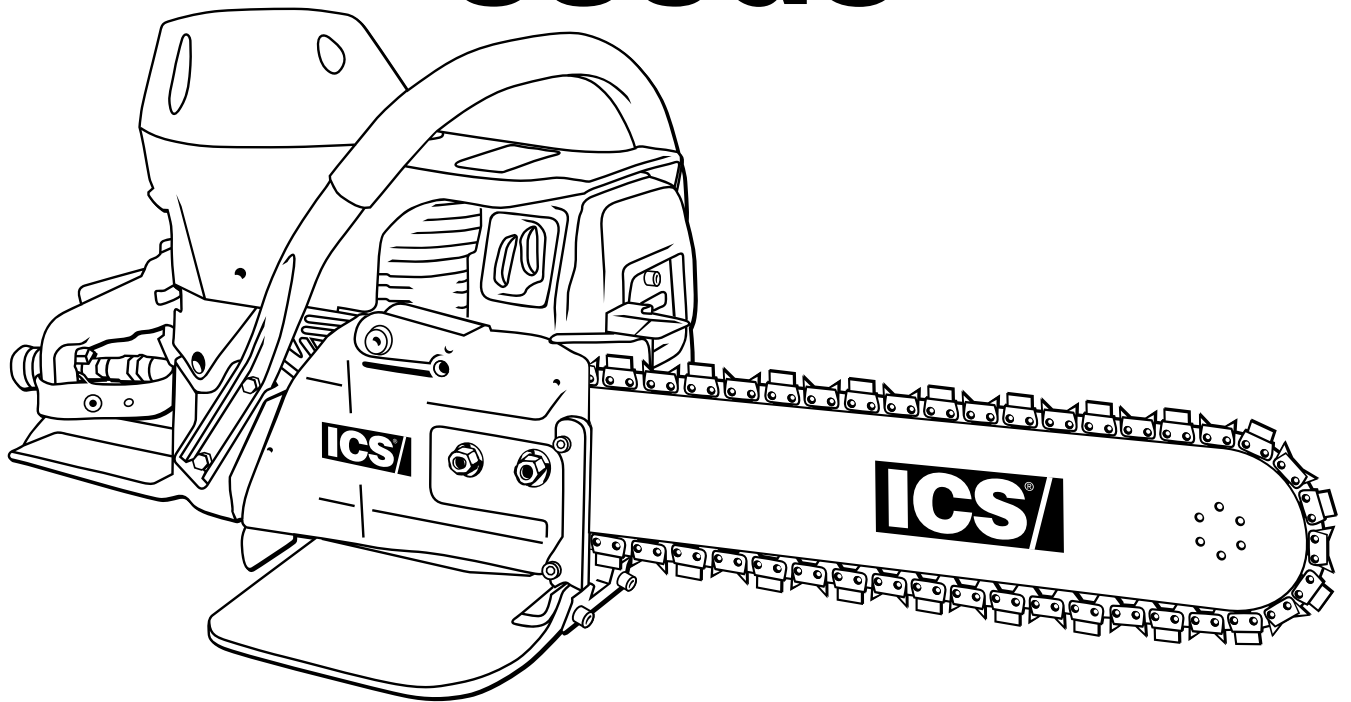




680GC



SERVICE MANUAL

SECTION	SECTION TITLE	PAGE NUMBER
	SERVICE MANUAL USE	2
1	TOOLS	3
2	SAW SPECIFICATIONS	4
3	SERIAL NUMBER LOCATION	5
4	SPARE PARTS DIAGRAM (TORQUE AND LOCTITE®)	6
5	AIR INTAKE	25
6	SPARK PLUG	27
7	CLUTCH & RIM SPROCKET	29
8	STARTER SYSTEM	33
9	WALLWALKER®	38
10	CYLINDER COVER	40
11	MUFFLER	43
12	CARBURETOR	47
13	CYLINDER & PISTON	49
14	WATER HOSE & CAP	58
15	IGNITION COIL	60
16	FLYWHEEL	62
17	BOTTOM GUARD	64
18	FRONT HANDLE	65
19	FUEL TANK	66
20	CRANKCASE	67
21	BAR STUDS & BAR PAD	75
22	CHAIN TENSIONER	76
23	CARBURETOR TUNING	77
24	IDLE SPEED ADJUSTMENT	80
25	TROUBLESHOOTING DIAGRAMS	81
26	TROUBLESHOOTING: FUEL SYSTEM LEAKS	83
27	TROUBLESHOOTING: CRANKCASE LEAKS	85
	APPENDIX	
	1. SPARK PLUG REFERENCE GUIDE	86

Service Manual Use

This manual contains all the technical information necessary for carrying out repairs on the 680GC saw. For safe, efficient work, it is of prime importance that the values indicated be adhered to. Routine periodic maintenance is covered in the operator's manual included with each saw.

General Shop Rules

- Always use the right tools for the job, otherwise components may be damaged.
- Use a plastic dead blow mallet to separate parts attached solidly to each other.
- Mark mating parts as a reassembly reference.
- Keep component parts together as a group. Assemble screws and nuts into appropriate subgroups.
- When reassembling, clean all parts carefully, lubricate moving parts and replace all oil seals, o-rings, gaskets, washers and self-locking nuts.
- **For best results, use only original ICS® replacement parts.**

General Recommendations

- Some procedures in this manual require the use of special tools. A complete tool kit for the 680GC is available from ICS®.
- Detailed carburetor maintenance and overhaul information is available in Walbro's Diaphragm Carburetor Service Manual. Walbro can be contacted at <http://www.walbro.com> or by calling 1.989.872.2131.

680GC Service Tool Kit - P/N 71700



Key #	Part No.	Description
Above	71700	Gas Saw Service Tool Kit, includes all items shown above
1	71521	Scrench 13-19 mm
2	71541	Pressure Gauge Bulb
3	71542	Coil/Flywheel Timing Shim
4	71543	Cylinder Assembly Clamps & Piston Stop
5	71544	Manifold Assembly Tool
6	71546	Shock Absorber Tool
7	71547	Spark Tester
8	71548	Flywheel Disassembly Tool
9	71550	Limiter Cap Puller
10	71565	Electronic Tachometer
11	71569	Induction Seal Flange with Screws
12	71570	Exhaust Seal Flange with Screws
13	71573	Tuning Screwdriver
14	73463	Main Bearing Spacing Tool
15	73425	Fuel Tank Pressure Cap
16	73462	Main Bearing Driver Tool
Items below are not included in P/N 71700, Gas Saw Service Tool Kit, but can be purchased separately		
Not Shown	71734	Gasket Set
Not Shown	70249	14T Bar Nose Sprocket Repair Kit
Not Shown	71625	Carburetor Tuning Kit
Not Shown	505882	2-Stroke Oil, 25:1 Mix, 5.2 oz (158 ml) (6-Pack)
Not Shown	505883	2-Stroke Oil, 25:1 Mix, 5.2 oz (158 ml) (24-Pack)

Specifications

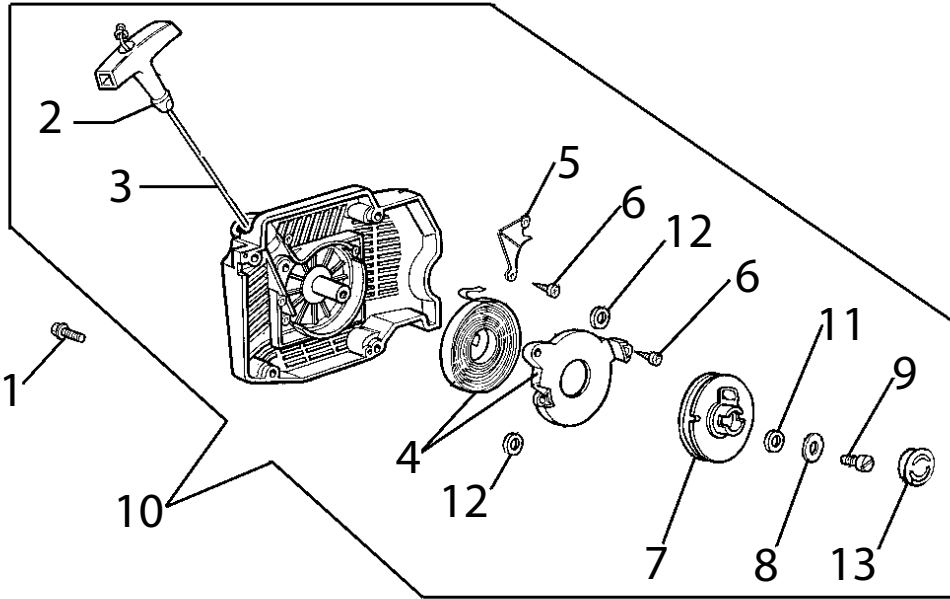
Engine Type	2-stroke Single Cylinder Air Cooled
Displacement	4.7 cu-in (76.5 cc)
Horsepower	5 hp (3.7 kW) @ 9,500 rpm
Torque	36.3 in-lbs (4.1 Nm) @ 6,500 rpm
Engine Speed	11,500 +/- 500 rpm (max) 2,800-3,200 rpm (idle)
Weight	21 lbs (9.5 kg) without guidebar and diamond chain
Dimensions	18 inches (46cm) length 11.5 inches (29cm) height 10 inches (25cm) width
Air Filter	Water resistant polyester
Carburetor	Walbro WJ122B
Starter	Dust and water resistant
Ignition	Special water resistant electronic ignition
Clutch	Centrifugal, three shoe, single spring
Fuel ratio	25:1 (4%) gasoline-to-oil
Fuel Capacity	0.23 gal (.88 liter)
Water Supply	Minimum 20 psi (1.5 bar)
Water Flow	Minimum: 2 gpm (8 lpm)
Noise Level	101 dB at 3 ft (1m)
Vibration Level	7.2 m/s ² (front handle) 8.5 m/s ² (rear handle)
Engine Break-in Period	One tank, without cutting, cycling throttle
Spark Plug	NGK BPMR8Y Electrode gap .020 in (0.5 mm)

3 This section shows the two locations of the serial number.



4 This section covers torque, Loctite®, and lubrication requirements of the individual components.

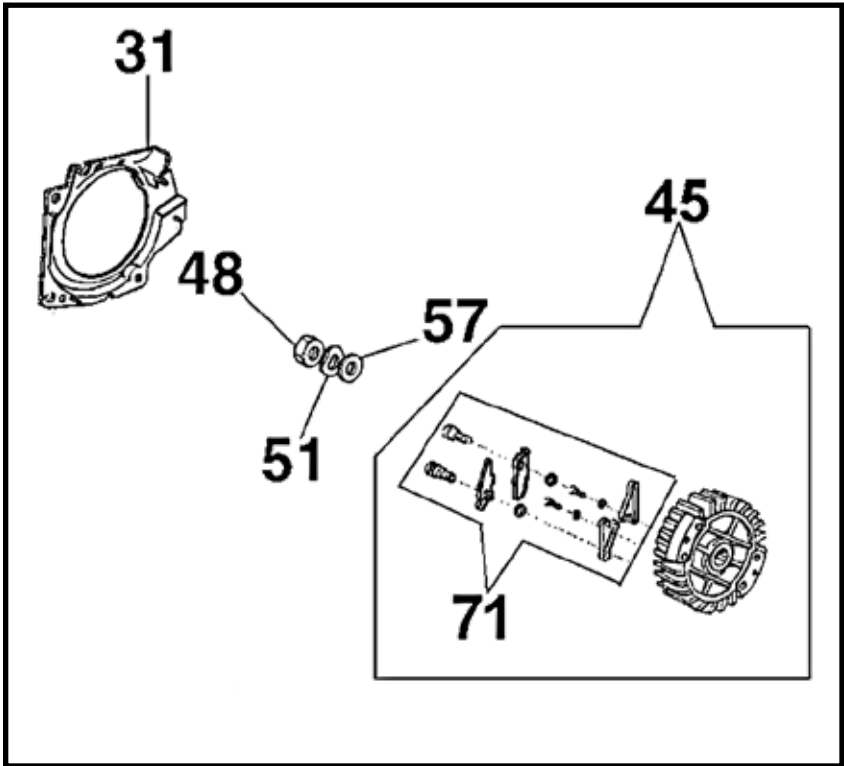
STARTER ASSEMBLY



For saws with serial number starting 967 & 977.

KEY	DESCRIPTION	TORQUE		LOCTITE® 242	PART NUMBER
		Nm	in-lbs.		
1	SCREW	4.0	35	X	73230
2	STARTER ROPE HANDLE				530208
3	STARTER ROPE				73904
4	STARTER COIL SPRING & HOUSING				531103
5	STARTER CASE PLATE				71451
6	SCREW				505380
7	STARTER ROPE PULLEY				528661
8	STARTER PULLEY WASHER				73905
9	STARTER PULLEY SCREW	5.9	52	X	73907
10	STARTER COVER ASSEMBLY				528637
11	STARTER ASSEMBLY WASHER				530367
12	SPRING HOUSING WASHER				532026
13	STARTER ASSEMBLY CAP				508853

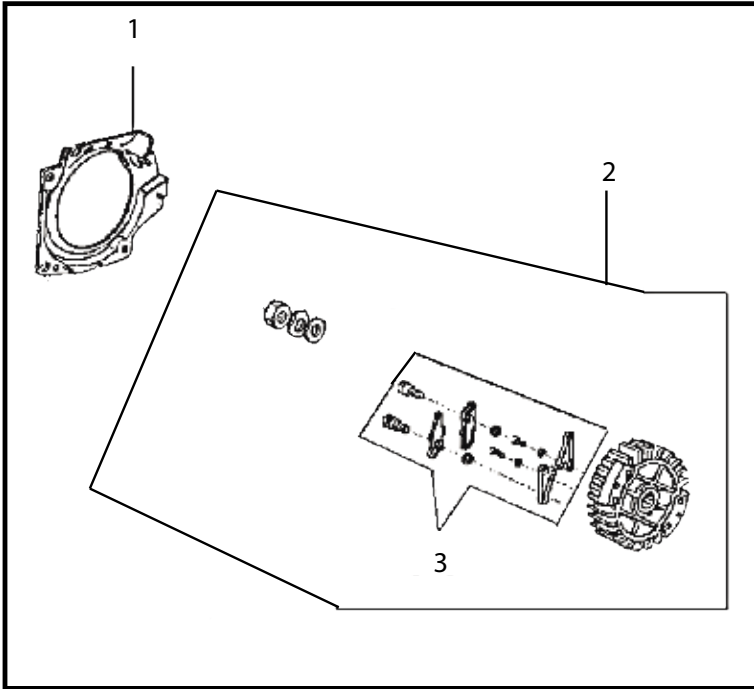
FLYWHEEL & STARTER PAWL ASSEMBLY



For saws with serial numbers starting 967.
 (see page 8 for serial number starting 977)

KEY	DESCRIPTION	TORQUE		LOCTITE® 242	PART NUMBER
		Nm	in-lbs.		
31	FLYWHEEL SHROUD				531109
45	FLYWHEEL ASSEMBLY	6.9	61		528651
48	NUT	29.3	260		73891
51	WASHER				73911
57	WASHER				73912
71	STARTER PAWL ASSEMBLY				509163

FLYWHEEL & STARTER PAWL ASSEMBLY

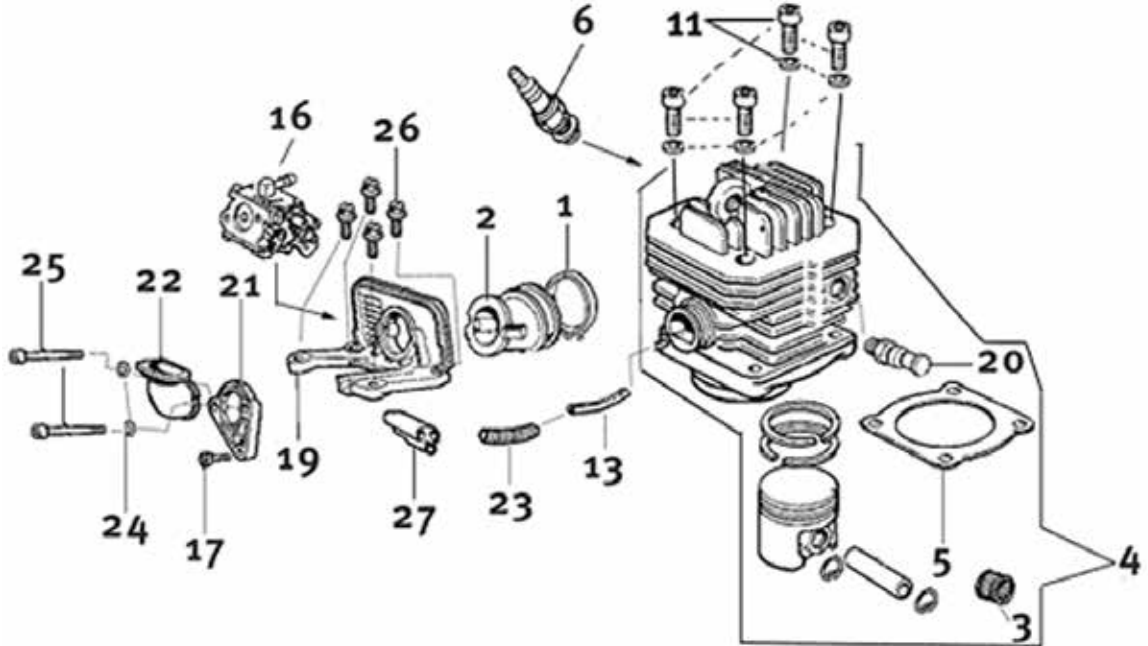


For saws with serial numbers starting 977.
 (see page 7 for serial number starting 967)

KEY	DESCRIPTION	TORQUE		LOCTITE® 242	PART NUMBER
		Nm	in-lbs.		
1	FLYWHEEL SHROUD				531109
2	FLYWHEEL ASSEMBLY KIT	29.3	260		545963
3	STARTER PAWL ASSEMBLY				509163

CYLINDER AND INTAKE ASSEMBLY

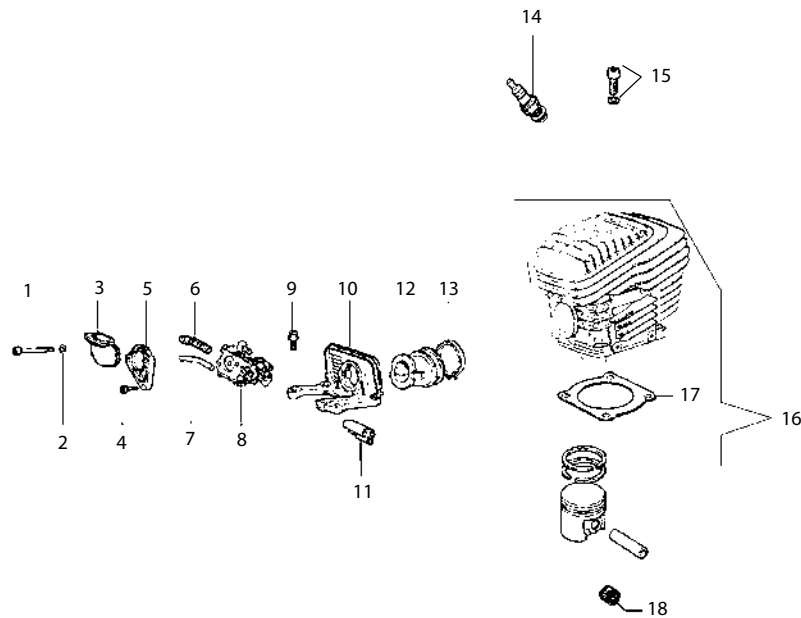
For saws with serial numbers starting 967.
(see page 10 for serial number starting 977)



KEY	DESCRIPTION	TORQUE		LOCTITE® 242	PART NUMBER
		Nm	in-lbs.		
1	INTAKE MANIFOLD CLAMP				73867
2	INTAKE MANIFOLD				73868
3	WRIST PIN NEEDLE BEARING				73869
4	COMPLETE PISTON/CYLINDER ASSEMBLY				CALL
5	CYLINDER BASE GASKET ASSEMBLY				71412
6	SPARK PLUG	27.5	243		514770
11	CYLINDER BOLT	10.7	95	X	73874
13	CARBURETOR PULSE TUBE				73898
16	CARBURETOR, WALBRO WJ-122B				528628
17	INTAKE MANIFOLD FLANGE SCREW	4.0	35	X	73901
19	CARBURETOR SUPPORT BRACKET				73895
20	DECOMPRESSION VALVE	12.8	113		71642
21	INTAKE MANIFOLD FLANGE				73947
22	INTAKE MANIFOLD				71735
23	CARBURETOR SPRING				73888
24	WASHER				73897
25	SCREW & WASHER				505469
26	SCREW				73866

CYLINDER AND INTAKE ASSEMBLY

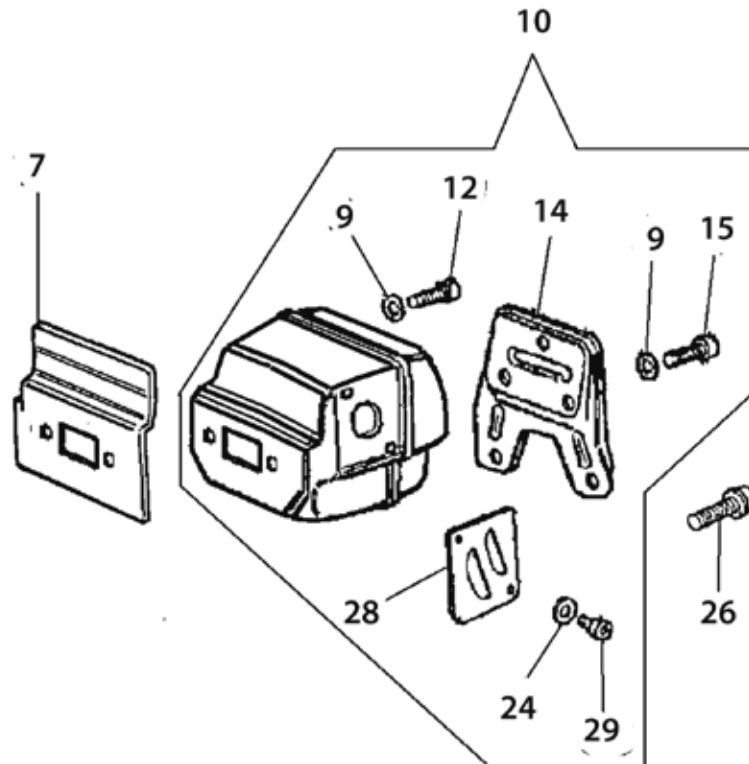
For saws with serial numbers starting 977.
(see page 9 for serial number starting 967)



KEY	DESCRIPTION	TORQUE		LOCTITE® 242	PART NUMBER
		Nm	in-lbs.		
1	SCREW & WASHER				505469
2	WASHER				73897
3	INTAKE MANIFOLD				71735
4	INTAKE MANIFOLD FLANGE SCREW	4.0	35	X	73901
5	INTAKE MANIFOLD FLANGE				73947
6	CARBURETOR SPRING				73888
7	CARBURETOR PULSE TUBE				545877
8	CARBURETOR, WALBRO WJ-122B				528628
9	SCREW	4.0	35	X	73866
10	CARBURETOR SUPPORT BRACKET				73895
11	SCREW GUIDE				517547
12	INTAKE MANIFOLD				73868
13	INTAKE MANIFOLD CLAMP				73867
14	SPARK PLUG	27.8	243	X	514770
15	CYLINDER BOLT	10.7	95	X	73874
16	COMPLETE PISTON/CYLINDER ASSEMBLY				548084
17	GASKET, BASE				545874
18	WRIST PIN NEEDLE BEARING				73869

MUFFLER ASSEMBLY

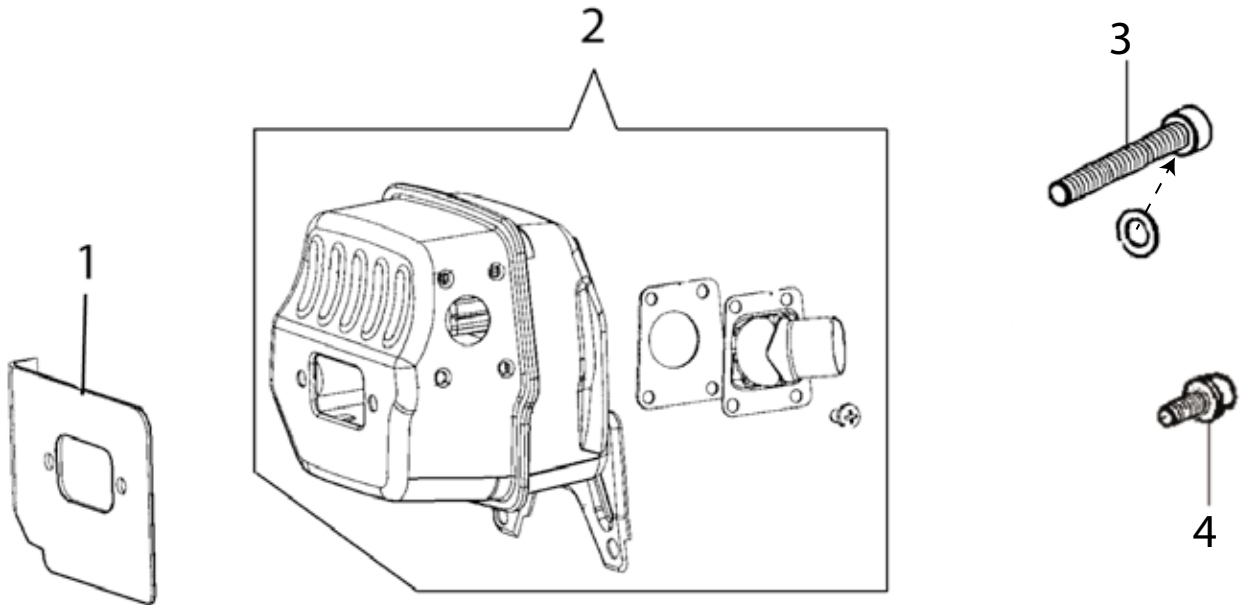
For saws with serial numbers starting 967.
(see page 12 for serial number starting 977)



KEY	DESCRIPTION	TORQUE		LOCTITE® 242	PART NUMBER
		Nm	in-lbs.		
7	CYLINDER TO MUFFLER GASKET				73881
9	SERRATED WASHER				73327
10	MUFFLER ASSEMBLY				71411
12	MUFFLER MOUNTING SCREW	9.8	87		73883
14	MUFFLER SUPPORT BRACKET				73884
15	MUFFLER SUPPORT BRACKET SCREW	8.8	78		73885
24	WASHER				73897
26	SCREW	4.0	35	X	73866
28	MUFFLER DEFLECTOR				71481
29	SCREW	4.0	35	X	71482

MUFFLER ASSEMBLY

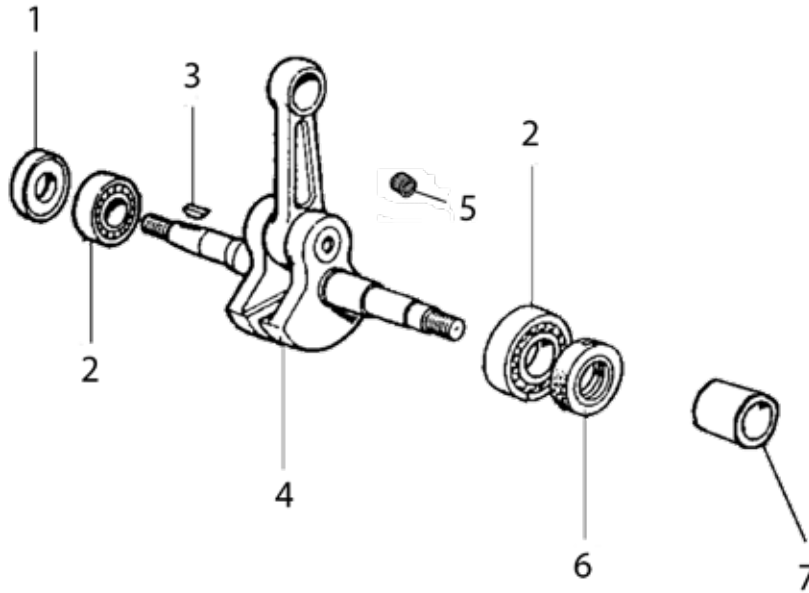
**For saws with serial numbers starting 977.
(see page 11 for serial number starting 967)**



KEY	DESCRIPTION	TORQUE		LOCTITE® 242	PART NUMBER
		Nm	in-lbs.		
1	CYLINDER TO MUFFLER GASKET				545875
2	MUFFLER ASSEMBLY				545872
3	SCREW & WASHER	9.8	87		505469
4	SCREW	4.0	35	X	73866

CRANKSHAFT ASSEMBLY

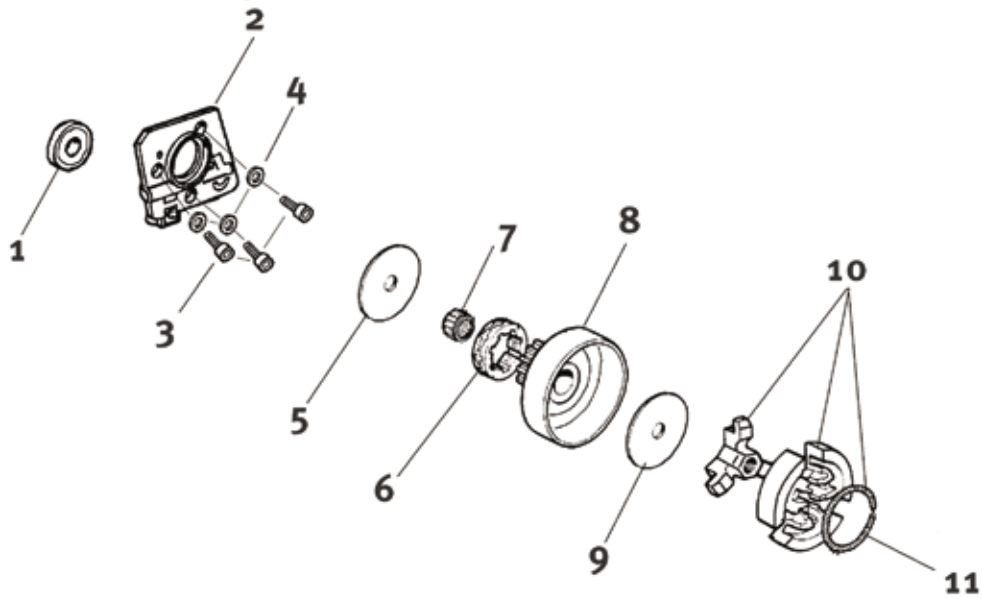
For saws with serial number starting 967 & 977



KEY	DESCRIPTION	TORQUE		LOCTITE® 242	PART NUMBER
		Nm	in-lbs.		
1	CRANKSHAFT SEAL FLYWHEEL SIDE				73877
2	CRANKSHAFT BEARING				73289
3	CRANKSHAFT FLYWHEEL WOODRUFF KEY				73878
4	CRANKSHAFT ASSEMBLY				545871
5	WRIST PIN NEEDLE BEARING				73869
6	CRANKSHAFT SEAL CLUTCH SIDE				73289
7	CRANKSHAFT BUSHING				71452

CLUTCH ASSEMBLY

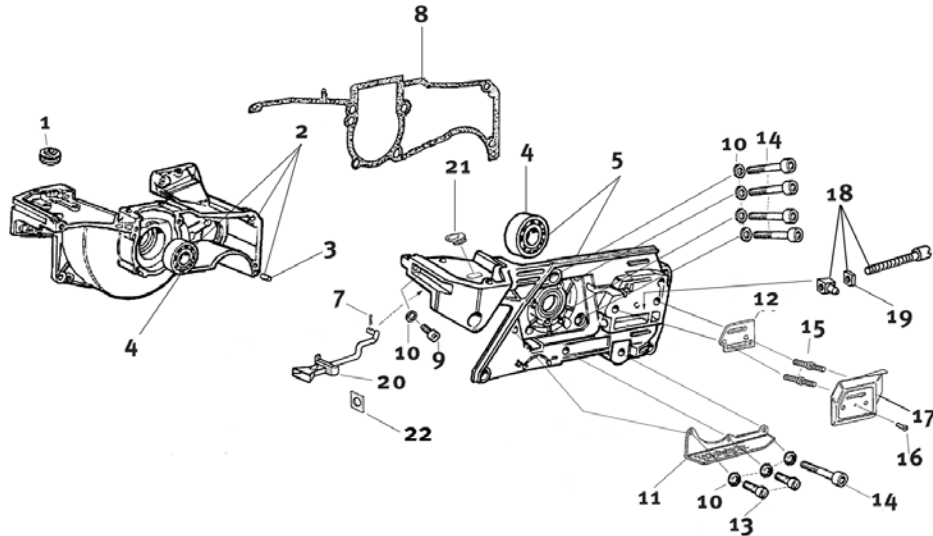
For saws with serial number starting 967 & 977



KEY	DESCRIPTION	TORQUE		LOCTITE® 242	PART NUMBER
		Nm	in-lbs.		
1	OUTER CRANKCASE SEAL, CLUTCH SIDE				73931
2	OUTER CRANKCASE SEAL BODY				73949
3	BOLT	2.9	26		73940
4	WASHER				73285
5	CLUTCH SPACER WASHER				73945
6	8T RIM SPROCKET KIT				70949
7	CLUTCH NEEDLE BEARING				73939
8	CLUTCH DRUM ASSEMBLY				71520
9	CLUTCH SPACER WASHER, INSIDE				73941
10	CLUTCH ASSEMBLY	33.3	295		71419
11	CLUTCH SPRING				73943

CRANKCASE ASSEMBLY

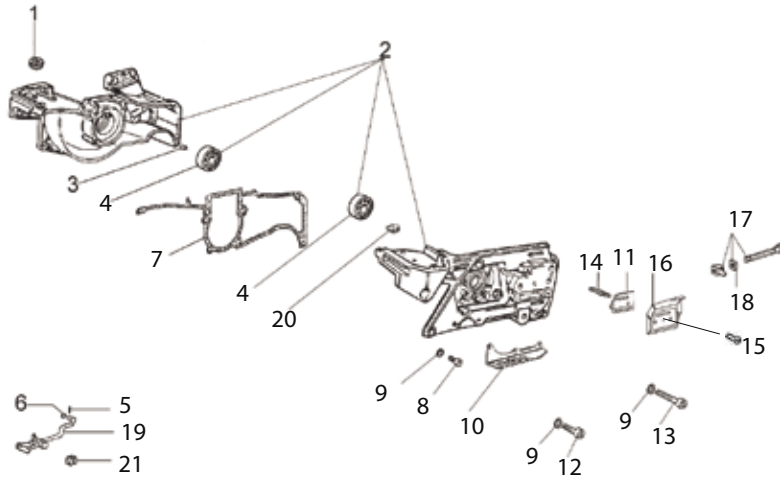
For saws with serial numbers starting 967.
 (see page 16 for serial number starting 977)



KEY	DESCRIPTION	TORQUE		LOCTITE® 242	PART NUMBER
		Nm	in-lbs.		
1	FUEL LINE GROMMET, CRANKCASE				73390
2 & 5	CRANKCASE ASSEMBLY, RIGHT & LEFT				528653
3	CRANKCASE DOWEL PIN				73281
4	CRANKSHAFT BEARING				73289
7	CHOKE LEVER SPLIT PIN				73927
8	CRANKCASE GASKET				73934
9	CRANKCASE BOLT	7.8	69	X	73930
10	WASHER				73897
11	CHAIN GUARD				528657
12	BAR MOUNT PAD SPACER				71740
13	COVER GUARD MOUNTING BOLT	7.8	69	X	73397
14	SCREW	4.9	43	X	73379
15	BAR MOUNTING STUD	11.8	104		73933
16	SCREW	7.8	69		73284
17	BAR MOUNT PAD COVER PLATE				71738
18	PREMIUM TENSIONER KIT				73935
19	TENSIONER SCREW RETAINER				73936
20	CHOKE LEVER				530469
21	CRANKCASE GROMMET, RIGHT SIDE				531107
22	CHOKE LEVER BUSHING				73955

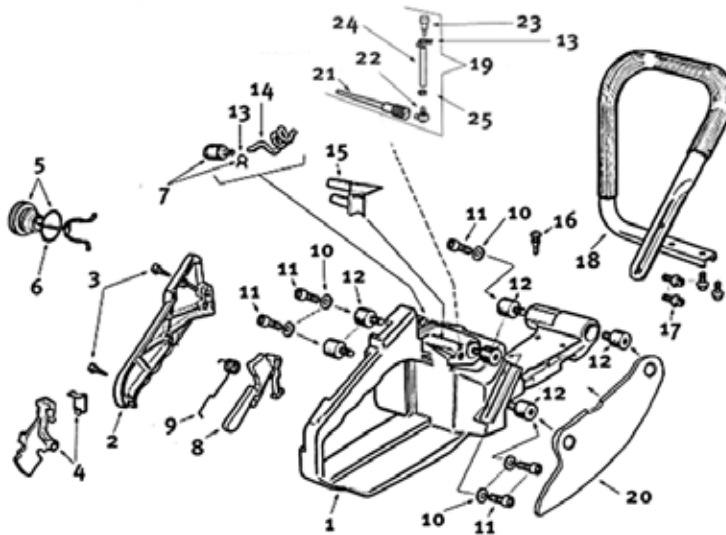
CRANKCASE ASSEMBLY

For saws with serial numbers starting 977.
(see page 15 for serial number starting 967)



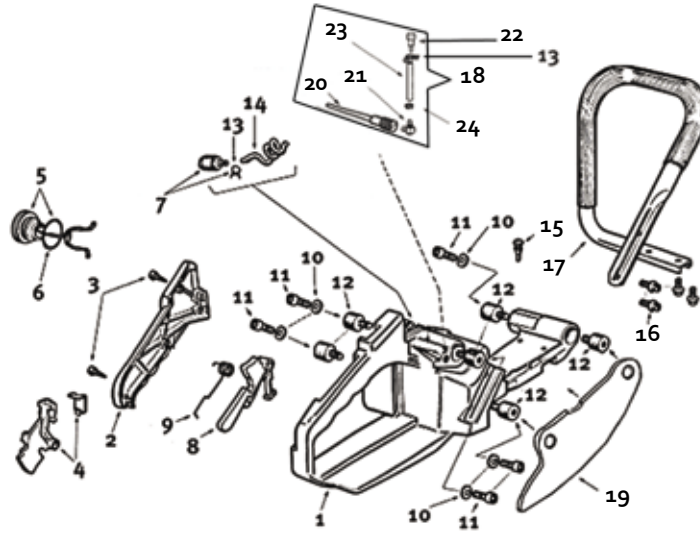
KEY	DESCRIPTION	TORQUE		LOCTITE® 242	PART NUMBER
		Nm	in-lbs.		
1	FUEL LINE GROMMET, CRANKCASE				73390
2	CRANKCASE ASSEMBLY, RIGHT & LEFT				545967
3	CRANKCASE DOWEL PIN				73281
4	CRANKSHAFT BEARING				545969
5	CHOKE LEVER SPLIT PIN				73927
6	O-RING				71748
7	CRANKCASE GASKET				545968
8	CRANKCASE BOLT	7.8	69	X	73930
9	WASHER				73897
10	CHAIN GUARD				528657
11	BAR MOUNT PAD SPACER				71740
12	COVER GUARD MOUNTING BOLT	7.8	69	X	73397
13	SCREW	4.9	43	X	73379
14	BAR MOUNTING STUD	11.8	104		73933
15	SCREW	7.8	69		73284
16	BAR MOUNT PAD COVER PLATE				71738
17	PREMIUM TENSIONER KIT				73935
18	TENSIONER SCREW RETAINER				73936
19	CHOKE LEVER				530469
20	CRANKCASE GROMMET, RIGHT SIDE				531107
21	CHOKE LEVER BUSHING				73955

FUEL TANK AND HANDLE ASSEMBLY
For saws with serial numbers starting 967.
 (see page 18 for serial number starting 977)



KEY	DESCRIPTION	TORQUE		LOCTITE® 242	PART NUMBER
		Nm	in-lbs.		
1	FUEL TANK ASSEMBLY				528655
2	REAR HANDLE HALF				531105
3	SCREW				73976
4	THROTTLE LEVER				530479
5	FUEL CAP ASSEMBLY, WITH OUTER SEAL RING				530471
6	FUEL CAP O-RING				73448
7	FUEL FILTER				73459
8	TRIGGER LOCKOUT LEVER				532028
9	TRIGGER LOCKOUT LEVER SPRING				73988
10	WASHER				73897
11	SCREW				73982
12	SHOCK ABSORBER				73980
13	CLIP, FUEL FILTER				71588
14	FUEL LINE				73375
15	SHOCK ABSORBER, REAR HANDLE				71745
16	BUMPER, SHOCK ABSORBER, FUEL TANK TOP				73270
17	FRONT HANDLE BOLT	7.8	69	X	73983
18	FRONT HANDLE				509205
19	FUEL BREATHER COMPLETE				71748
20	WATER DEFLECTOR, BOTTOM				71766
21	BREATHER TUBE BODY				71751
22	BREATHER TUBE ELBOW				71759
23	FUEL BREATHER, REMOTE				71761
24	BREATHER TUBE EXTENSION				71777
25	TUBE CLAMP				71760

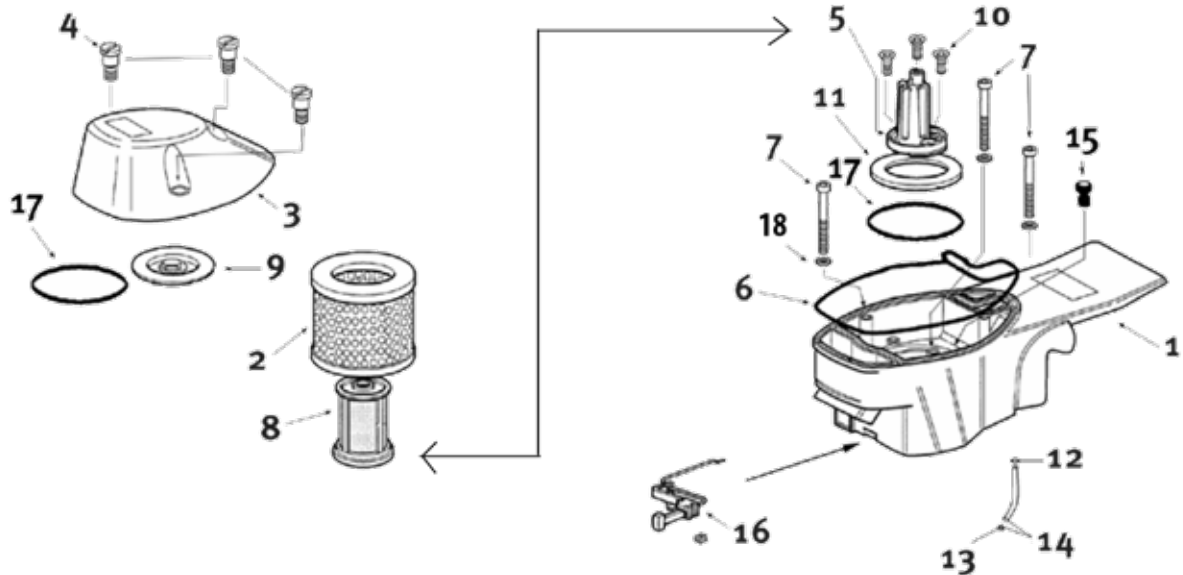
FUEL TANK AND HANDLE ASSEMBLY
For saws with serial numbers starting 977.
 (see page 17 for serial number starting 967)



KEY	DESCRIPTION	TORQUE		LOCTITE® 242	PART NUMBER
		Nm	in-lbs.		
1	FUEL TANK ASSEMBLY				528655
2	REAR HANDLE HALF				531105
3	SCREW				73976
4	THROTTLE LEVER				530479
5	FUEL CAP ASSEMBLY, WITH OUTER SEAL RING				530471
6	FUEL CAP O-RING				73448
7	FUEL FILTER				73459
8	TRIGGER LOCKOUT LEVER				532028
9	TRIGGER LOCKOUT LEVER SPRING				73988
10	WASHER				73897
11	SCREW				73982
12	SHOCK ABSORBER				73980
13	CLIP, FUEL FILTER				71588
14	FUEL LINE				73375
15	BUMPER, SHOCK ABSORBER, FUEL TANK TOP				73270
16	FRONT HANDLE BOLT	7.8	69	X	73983
17	FRONT HANDLE				545971
18	FUEL BREATHER COMPLETE				71748
19	WATER DEFLECTOR, BOTTOM				71766
20	BREATHER TUBE BODY				71751
21	BREATHER TUBE ELBOW				71759
22	FUEL BREATHER, REMOTE				71761
23	BREATHER TUBE EXTENSION				71777
24	TUBE CLAMP				71760

AIR INTAKE ASSEMBLY

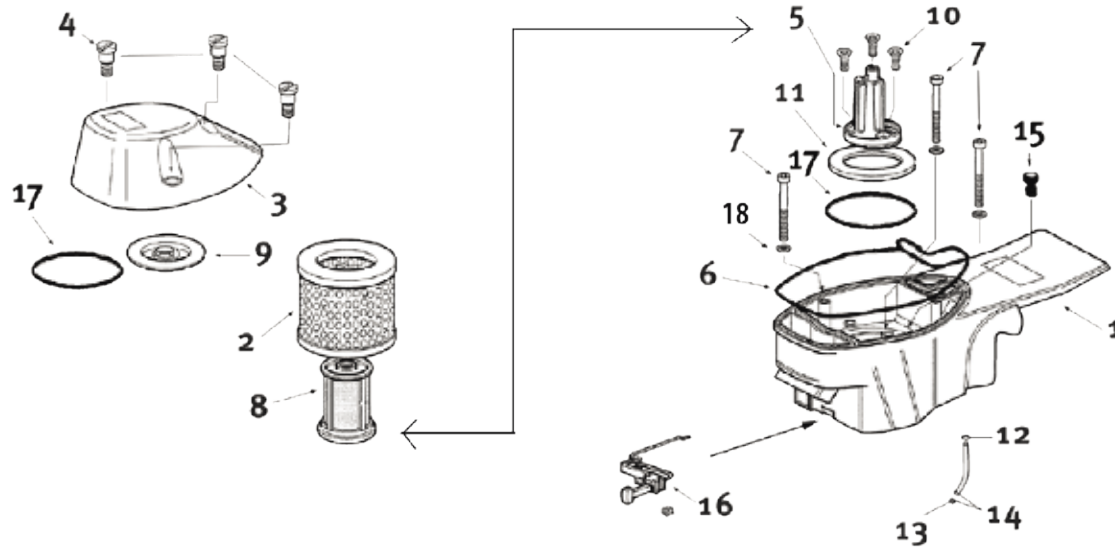
For saws with serial numbers starting 967.
(see page 20 for serial number starting 977)



KEY	DESCRIPTION	TORQUE		LOCTITE® 242	PART NUMBER
		Nm	in-lbs.		
1	CYLINDER COVER ASSEMBLY				71754
2	AIR FILTER CANISTER, POLYESTER				71752
3	AIR FILTER COVER				530473
4	FILTER COVER SCREW				73992
5	FILTER SUPPORT				73338
6	FILTER COVER GASKET				71756
7	SCREW, CYLINDER COVER, LONG, SOCKET HEAD	X	X	X	71771
8	PREFILTER PLASTIC, SECONDARY FILTER				73336
9	AIR FILTER FLANGE				71758
10	FILTER SUPPORT SCREW	2.9	26	X	73337
11	FILTER CANISTER GASKET				73335
12	O-RING				71472
13	TUBE CLAMP				71760
14	COMPENSATOR TUBE				505382
15	BREATHER GROMMET	19.7	174		71763
16	THROTTLE ASSEMBLY				71750
17	O-RING, AIR FILTER				73331
18	WASHER				73897

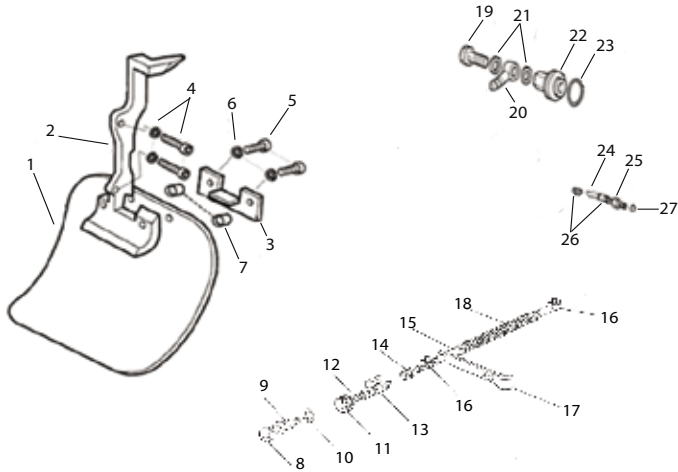
AIR INTAKE ASSEMBLY

For saws with serial numbers starting 977.
 (see page 19 for serial number starting 967)



KEY	DESCRIPTION	TORQUE		LOCTITE® 242	PART NUMBER
		Nm	in-lbs.		
1	CYLINDER COVER ASSEMBLY				545973
2	AIR FILTER CANISTER, POLYESTER				71752
3	AIR FILTER COVER				530473
4	FILTER COVER SCREW				73992
5	FILTER SUPPORT				73338
6	FILTER COVER GASKET				71756
7	SCREW, CYLINDER COVER, LONG, SOCKET HEAD	X	X	X	71771
8	PREFILTER PLASTIC, SECONDARY FILTER				73336
9	AIR FILTER FLANGE				71758
10	FILTER SUPPORT SCREW	2.9	26	X	73337
11	FILTER CANISTER GASKET				73335
12	O-RING				71472
13	TUBE CLAMP				71760
14	COMPENSATOR TUBE				505382
15	BREATHER GROMMET	19.7	174		71763
16	THROTTLE ASSEMBLY				71750
17	O-RING, AIR FILTER				73331
18	WASHER				73897

WALL WALKER® AND WATER DELIVERY SYSTEM

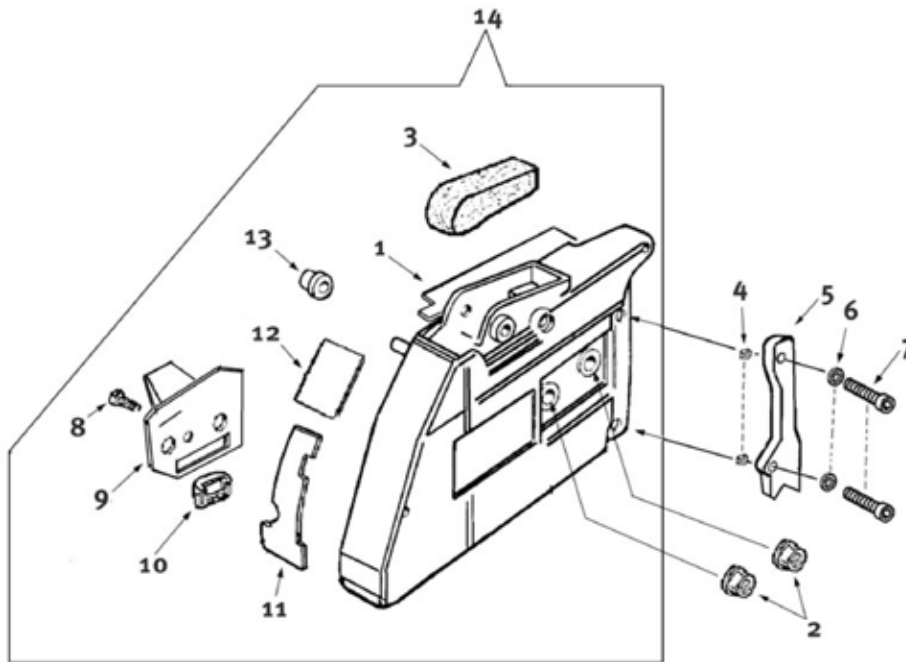


For saws with serial number starting 967 & 977

KEY	DESCRIPTION	SERIAL NUMBER STARTING		TORQUE		LOCTITE® 242	PART NUMBER
		967	977	Nm	in-lbs.		
1	GUARD FLAP	X	X				71534
2	WALLWALKER® LEVER ARM	X	X				71532
3	GUARD FLAP CLAMP	X	X				71531
4	SCREW & WASHER	X	X				505469
5	GUARD FLAP SCREW	X	X	4.8	43	X	71479
6	WASHER	X	X				73951
7	GUARD FLAP SPACER	X	X				71480
8	WATER HOSE GASKET		X				71469
9	FITTING	X	X				71467
10	CLIP	X	X				545975
11	RING NUT	X	X				71457
12	WATER HOSE O-RING	X	X				71468
13	WATER SHUT-OFF VALVE	X	X				71458
14	FITTING	X	X				71454
15	TUBE	X	X				71455
16	HOSE CLAMP	X	X				71465
17	HOSE HANGER	X	X				71461
18	WATER HOSE COVER	X	X				71464
19	WATER HOSE SCREW	X	X	19.7	174		71463
20	FITTING	X	X				71453
21	COPPER WASHER	X	X				71456
22	WATER TANK CAP	X	X				73923
23	FUEL CAP O-RING	X	X				73448
24	TUBE	X	X				71459
25	FITTING	X	X				71470
26	FITTING	X	X				71471
27	O-RING	X	X				71472
28	HOSE HANGER BUTTON	X	X				71744

SIDE COVER ASSEMBLY

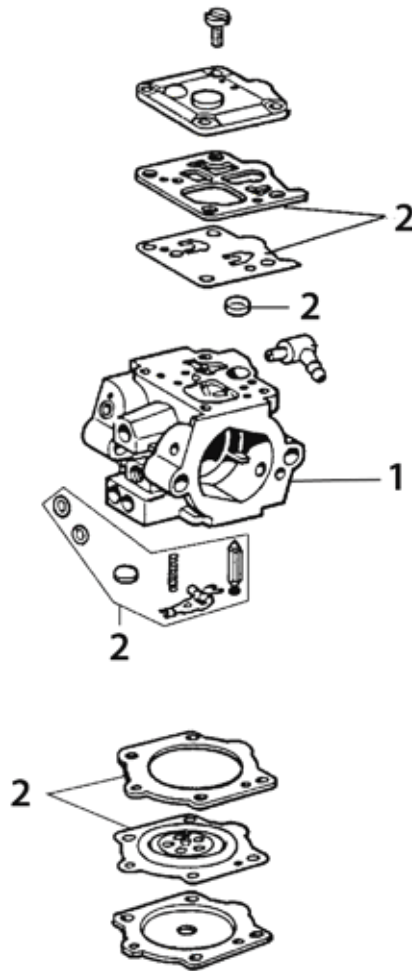
For saws with serial number starting 967 & 977



KEY	DESCRIPTION	TORQUE		LOCTITE® 242	PART NUMBER
		Nm	in-lbs.		
1	SIDE COVER INSERT, TOP				71534
2	SIDE COVER NUT				71532
3	CHAIN COVER CAP				71531
4	NUT				505469
5	WALLWALKER® SIDE ARM	4.8	43	X	71479
6	WASHER				73951
7	WALLWALKER® SIDE ARM SCREW				71480
8	SCREW				71469
9	SIDE COVER PLATE				71467
10	LOWER GUARD				545975
11	SIDE COVER INSERT, BOTTOM REAR				71457
12	SIDE COVER INSERT, TOP REAR				71468
13	RUBBER BUMPER COVER				71458
14	SIDE COVER ASSEMBLY, COMPLETE				71454

CARBURETOR REPAIR KIT

For saws with serial number starting 967 & 977



KEY	DESCRIPTION	TORQUE		LOCTITE® 242	PART NUMBER
		Nm	in-lbs.		
1	CARBURETOR, WALBRO WJ-122B				528628
2	CARBURETOR REPAIR KIT				73996

This page intentionally left blank.

5. This section covers the disassembly, inspection and assembly air induction system.

5.1

Loosen the air filter cover screws and remove air filter cover.



5.2

Remove air filter from cover.

- A. Inspect air filter
- B. Replace if necessary



5.3

Clean filter with cleaning solution and a nylon brush.

- A. Clean filter with cleaning solution and water.
- B. Let dry and reinstall.



5.4

Inspect air filter cover gasket.

A. Replace if permanently depressed or hard, due to slurry.

5.5 Inspect filter canister gasket.

A. Clean

B. Replace if necessary

5.6

Check air filter mount screws and lightly secure them if they are loose.



6. This section covers the removal, inspection and installation of the spark plug.**6.1**

Remove spark plug cap and spring (spring is located inside of the cap).

**6.2**

Loosen and remove the spark plug.

**6.3**

Inspect spark plug for damage or corrosion.
Clean with a wire brush.



6.4

Gap if necessary to 0.02" (0.5mm).

NOTE:

If the spark plug must be replaced, refer to the spark plug reference guide at the end of this manual to select the correct replacement plug.



6.5

Assemble in the reverse order.

Make sure the plug boot is seated completely.



7. This section covers clutch removal, rim sprocket removal, inspection and assembly. Refer to sections 5 and 6 if needed.

7.1

Insert piston stop tool into spark plug hole.



7.2

Pull starter handle until piston stops against tool.

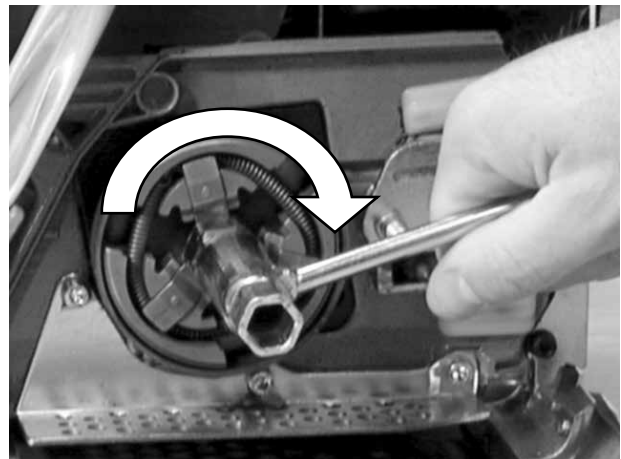


7.3

Remove clutch

CAUTION Left hand threads - rotate clockwise to loosen.

NOTE: If an impact wrench is available steps 7.1 and 7.2 do not need to be performed.



7.4

Remove all drive components.



7.5

Inspect the clutch shoes for wear.

A. Replace if the shoe has less than 0.04" (1 mm) of material, as shown.



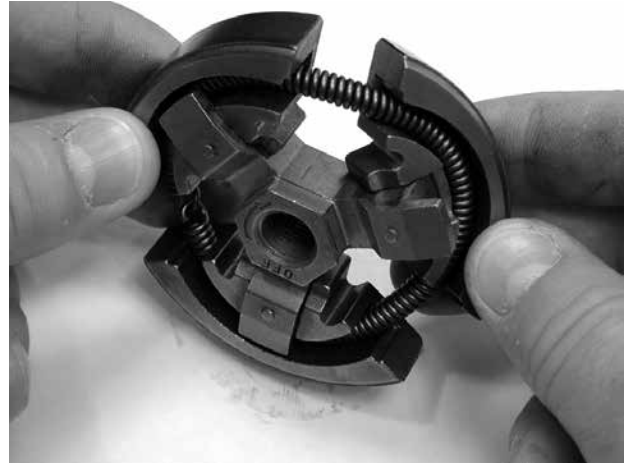
7.6

Inspect spring for cracks.



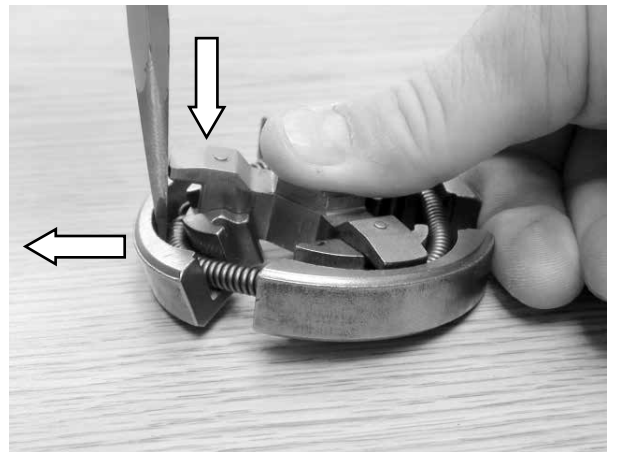
7.7

Assemble clutch shoes as shown.



7.8

Finish installation of clutch shoe as shown.



7.9

Inspect the rim sprocket for wear.

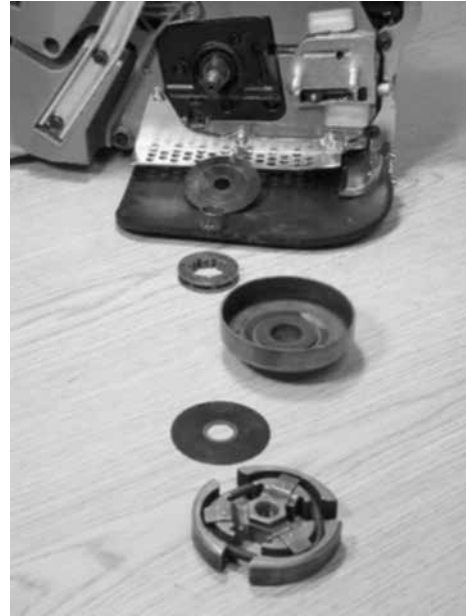
A. Replace if the rim sprocket teeth are worn to points, as shown on right.



7.10

Clean and Assemble.

- A. Clean all parts in solvent.
- B. Grease clutch cup bearing with a waterproof grease.
- C. Assemble clutch spacer washer, bearing, clutch cup with rim sprocket, and inside clutch spacer washer.

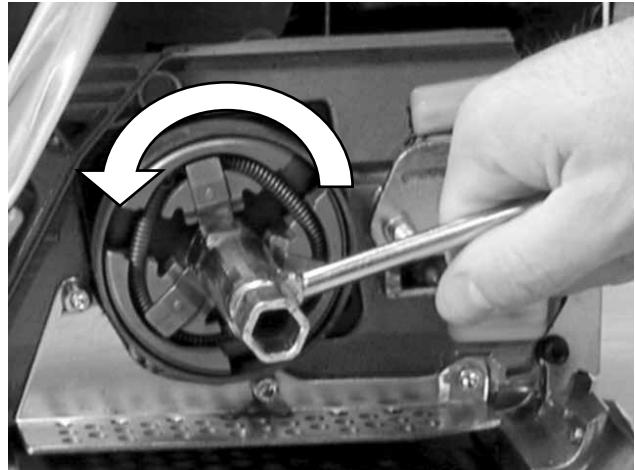


7.11

Install clutch.

Torque to 295 in-lbs (33.3 Nm).

CAUTION Left hand threads.



8. This section covers the removal of the starter cover, replacement of the starter rope, and replacement of the recoil spring.

8.1

Remove starter cover screws (4).

8.2

Remove starter cover assembly from saw.



8.3

Remove starter cord shield screws.



8.4

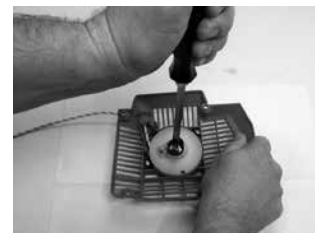
Relieve spring tension.

- A. Pull 4-6" (10-15 cm) of rope out.
- B. Line rope up with notch on pulley.
- C. Slowly rotate pulley counter-clockwise until spring pressure is released. Use thumb as brake.



8.5

Remove starter pulley screw and washer.



NOTE: Hold starter cover firmly.

8.6

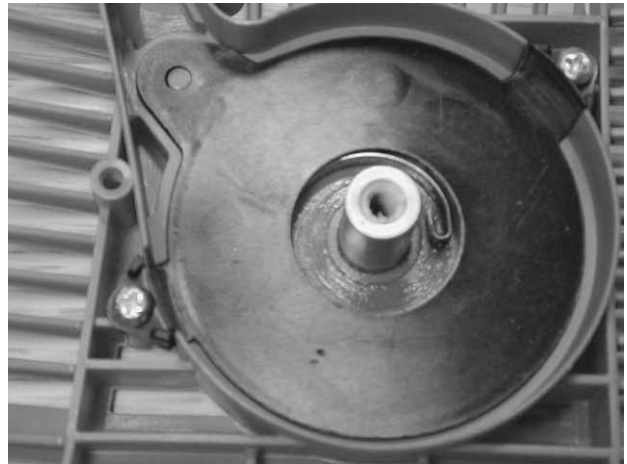
Remove starter pulley.



8.7

Inspect coil spring.

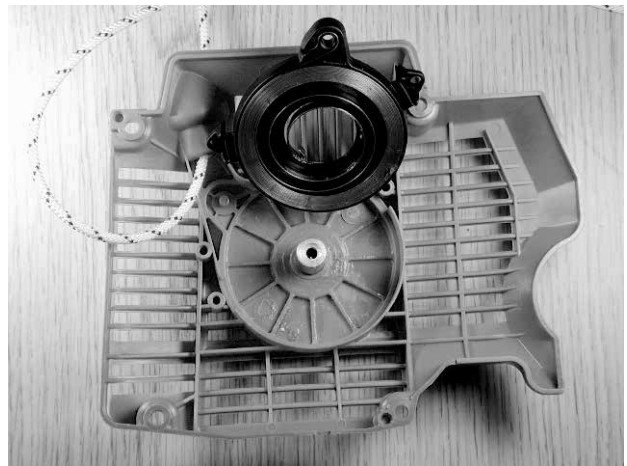
A. Replace if spring hook is damaged.
Attempting to re-bend the spring hook may cause the hook to break off.



B. Carefully remove coil spring and housing to prevent spring from unwinding.

8.8 Lubricate with lightweight oil.

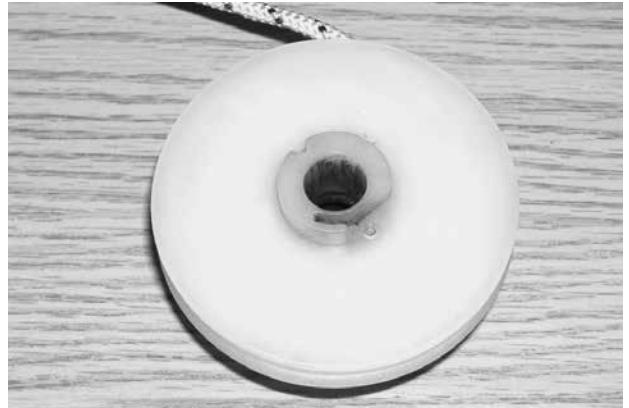
8.9 Replace parts carefully.



8.10

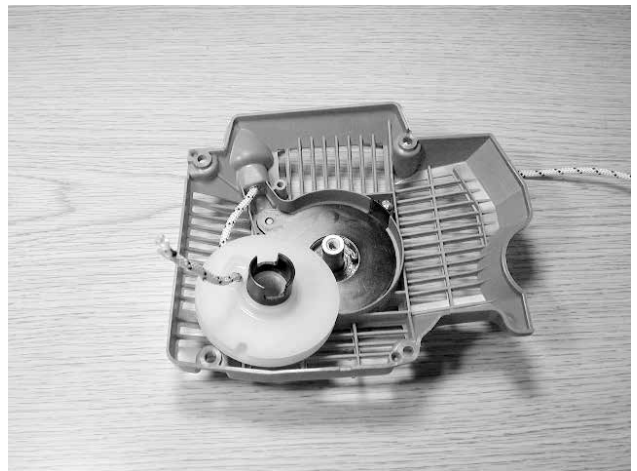
Inspect pulley spring catch.

- A. Clean with cleaning solution.
- B. Replace if worn or broken.



8.11

Install starter rope and tie knot.



8.12

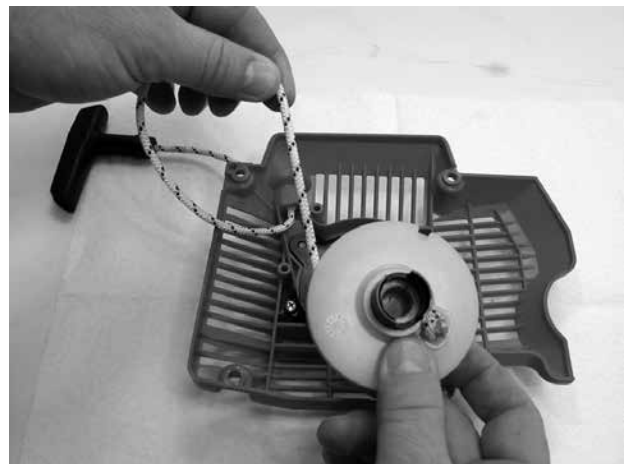
Install pulley.

- A. Wind rope onto pulley clockwise leaving 4-6" (10-15 cm) out.
- B. Make sure that the pulley spring catch is in the spring hook.

8.13

Install center screw, spacer and washer.

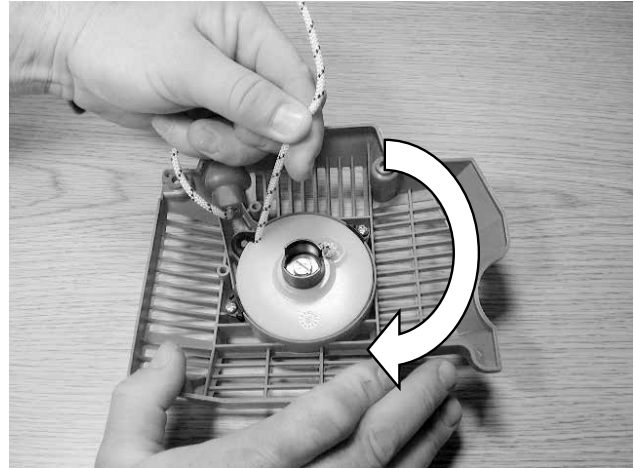
- A. Use Loctite® 242.
- B. Torque to 26 in-lbs (2.9 Nm).



8.14

Wind the recoil spring.

- A. Line rope up with notch on pulley.
- B. Rotate the pulley with the rope clockwise 5 times.
- C. Untangle rope and release.



8.15

Assemble starter cord shield.



8.16

Remove starter pawl screws, pawls, spring and plain washer.

NOTE: Piston stop tool may be required to remove the starter pawl screws.

8.17

Inspect and clean pawl components.

- A. Inspect the components. Replace if necessary.
- B. Clean the components with a brush and solvent.



8.18

Assemble components

- A. Make sure the spring is in the correct position.
- B. Use Loctite® 242 on the pawl screws.
- C. Torque to 60 in-lbs. (6.8 Nm).



8.19

Install starter cover.

- A. Pull out cord 4-6" (10-15cm).
- B. Slowly release while placing cover to allow pawls to engage.



8.20

Install starter cover screws.

- A. Use Loctite® 242.
- B. Torque to 60 in-lbs. (6.8 Nm).

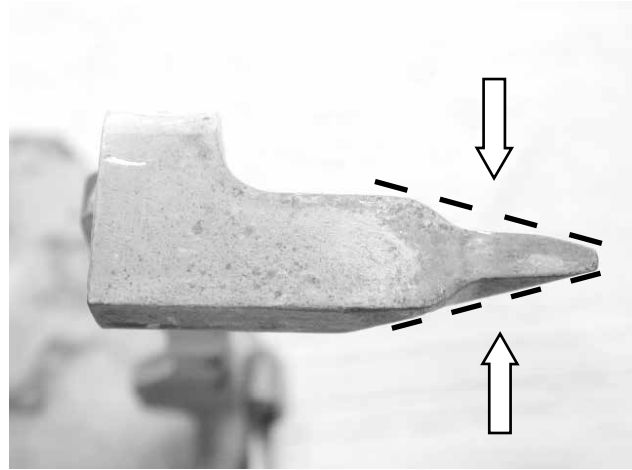


9. This section covers the removal, inspection and assembly of the WallWalker® and guard flap.

9.1

Inspect WallWalker® tip.

A. If the tip is worn, as shown, replace.



9.2

Remove bar mount pad.



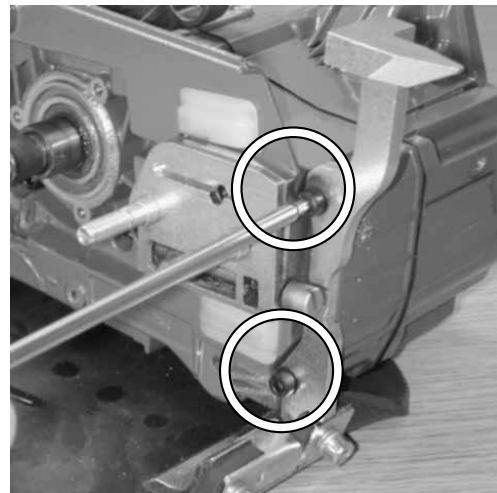
9.3

Remove crankcase screws and wave washers.

Remove WallWalker® from saw.

Install new WallWalker®.

Assemble in reverse order.



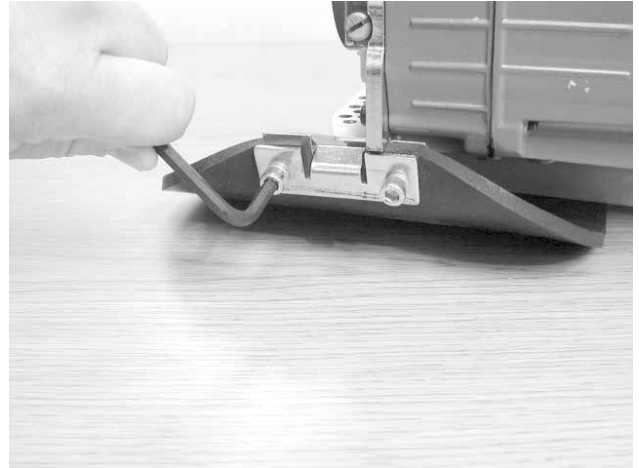
9.4

Remove guard flap screws and washers.

9.5

Remove and inspect guard flap.

A. Replace the flap if it is torn or damaged in any way.



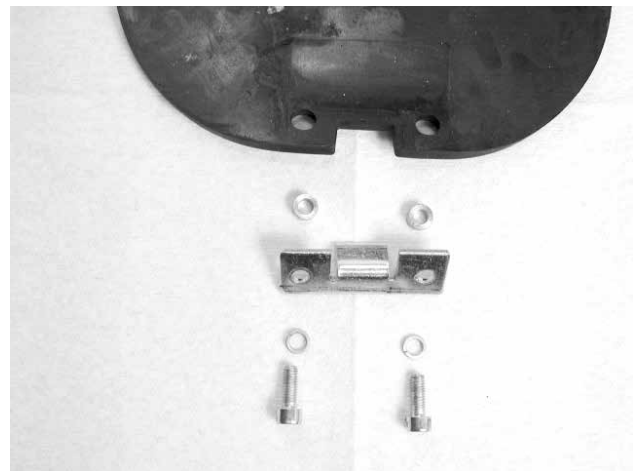
9.6

Reassemble in the reverse order.

A. Install guard flap screws and washers.

B. Use blue Loctite® 242.

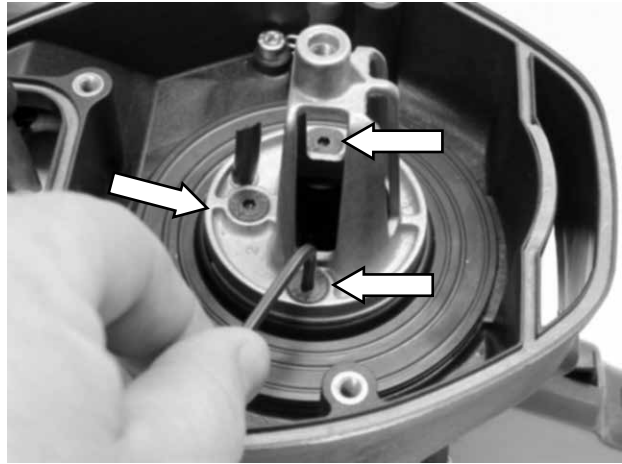
C. Torque to 43 in-lbs. (4.8 Nm).



10 This section covers the disassembly and assembly of the cylinder cover. Removal of the air intake components and front handle is necessary. Refer to sections 1 and 14 if needed.

10.1

Remove the air filter mount screws.



10.2

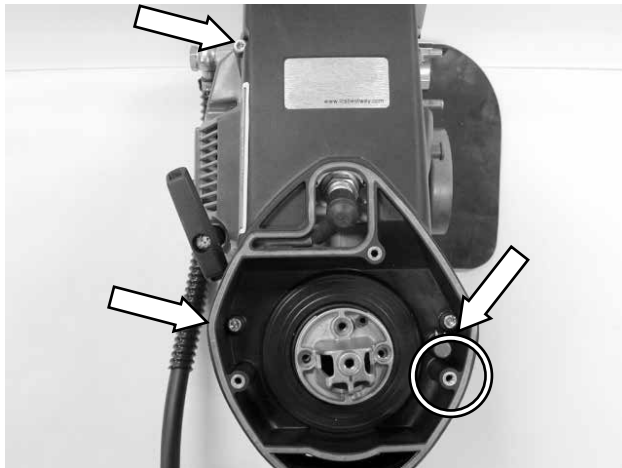
Remove the cylinder cover screws (3).

10.3

Remove spark plug lead from cylinder cover.

10.4

Remove fuel tank breather cap and clamp.



10.5

Partially remove intake manifold from cylinder cover.

10.6

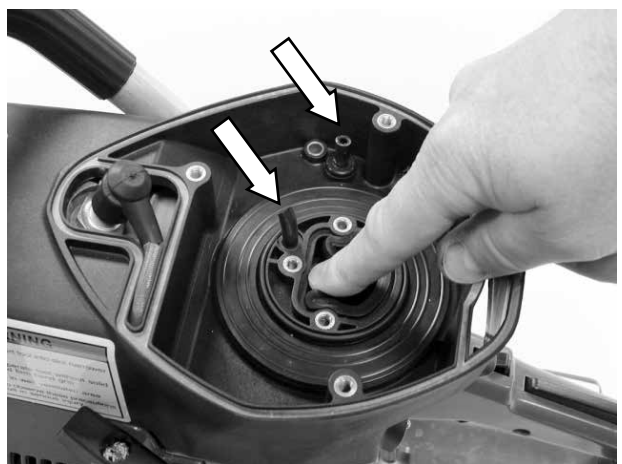
Remove cylinder cover.

A. Pull up on front.

B. Push intake manifold through hole.

C. Make sure throttle linkage is disengaged from cylinder cover.

D. Guide fuel breather tube and compensator tube through cylinder cover.



10.7

Remove stop switch leads.

10.8

Inspect cylinder cover for damage.

A. Replace if necessary.

10.9

Check cylinder cover water seal and filter cover gasket are in place and in good condition.

A. Replace if necessary.

10.10

Reassemble stop switch leads.

10.11

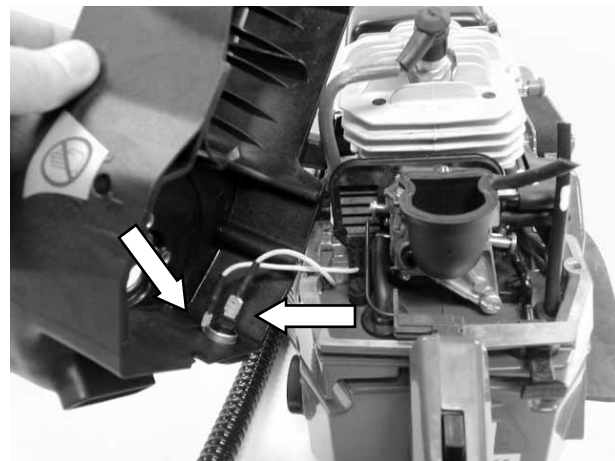
Make sure carburetor screw boot is in place.

10.12

Lubricate compensating tube and fuel tank breather tube with soapy water, guide through cylinder cover (install compensating tube first).

NOTE:

Be careful as to not pull tubes away from their point of connection. Approximately 3/4" (2 cm) of tube should protrude from cylinder cover.



screw boot



10.13

Install cylinder cover.

- A. Pull spark plug lead into slot in cylinder cover.
- B. Align throttle linkage with cylinder cover and crankcase.
- C. Push the cylinder cover down on the crankcase, guide intake manifold into cylinder cover.
- D. Install the cylinder cover screws. Use Loctite® 242. Torque to 35 in-lbs. (4.0 Nm).
- E. Install fuel tank breather and clamp.



10.14

Install air filter mount.

- A. Guide carburetor compensating tube through air filter mount. Make sure manifold sits flat over lip on cylinder cover.
- B. Install air filter mount screws (3) using Loctite® 242.
- C. Torque to 43 in-lbs (4.9 Nm.)



10.15

Install air filters and cover.

- A. Install pre-filter.
- B. Install clean air filter.
- C. Install air filter flange and tighten.
- D. Install air filter cover and tighten.

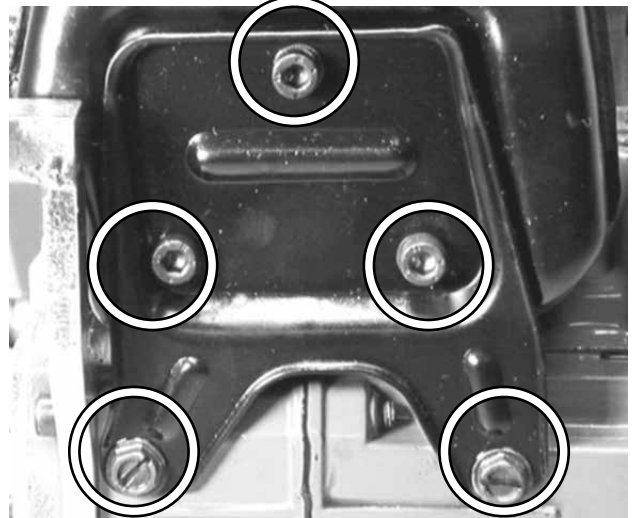


11. This section covers the disassembly, inspection, and assembly of the muffler. Removal of the WallWalker® and cylinder cover is necessary. Refer to sections 7 and 10 if necessary.

For saws with serial number starting 967,
for saws with serial number starting 977 see pages 45/46

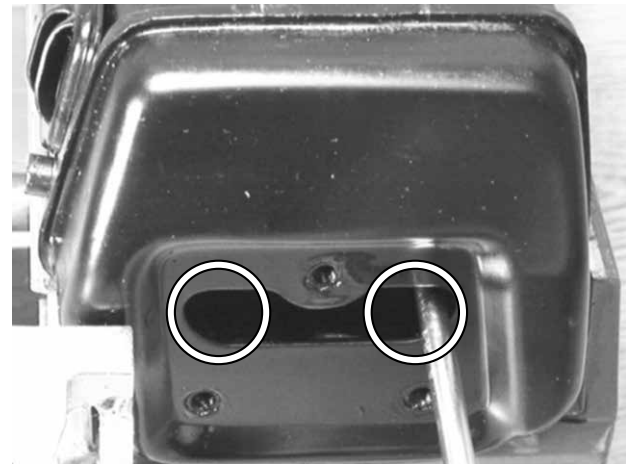
11.1

Remove muffler support screws.



11.2

Remove muffler screws and serrated washers located inside the muffler.



11.3

Remove muffler and heat shield gasket.

A. Replace any damaged components.



For saws with serial number starting 967,
for saws with serial number starting 977 see pages 45/46

11.4

Install muffler.

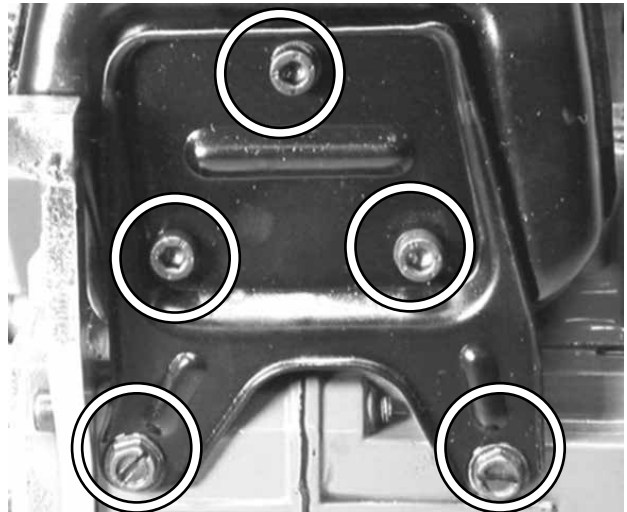
- A. Insert muffler screws and serrated washer (2) into muffler.
- B. Hold muffler screws in place with heat shield gasket.
- C. Thread muffler screws into cylinder, torque to 78 in-lbs. (8.8 Nm).



11.5

Install muffler support.

- A. Install top (3) muffler support screws and serrated washer finger tight.
- B. Install bottom (2) muffler support screws with Loctite®242.
- C. Torque top screws to 78 in-lbs. (8.8 Nm).
- D. Torque bottom screws to 52 in-lbs. (5.8 Nm).



11. This section covers the disassembly, inspection, and assembly of the muffler. Removal of the WallWalker® and cylinder cover is necessary. Refer to sections 7 and 10 if necessary.

For saws with serial number starting 977,
for saws with serial number starting 967 see pages 43/44

11.1

Remove muffler support screws.



11.2

Remove muffler screws located inside the muffler.



11.3

Remove muffler and heat shield gasket.

A. Replace any damaged components.



**For saws with serial number starting 977,
for saws with serial number starting 967 see pages 43/44**

11.4

Install muffler.

- A. Insert muffler screws (2) into muffler.
- B. Hold muffler screws in place with heat shield gasket.
- C. Thread muffler screws into cylinder with Loctite®242. Torque to 78 in-lbs. (8.8 Nm).



11.5

Install bottom (2) muffler support screws with Loctite®242.

- A. Torque top screws to 78 in-lbs. (8.8 Nm).
- B. Torque bottom screws to 52 in-lbs. (5.8 Nm).



12. This section covers the removal and installation of the carburetor. Removal of the air intake components and cylinder cover is required. Please refer to section 5, 10 or 11 if necessary. Carburetor tuning is covered in section 23.

NOTE: All saws are equipped with carburetor model WJ-122B.

12.1

Remove throttle linkage.

- A. Push trigger end out of rear handle.
- B. Pivot linkage around.
- C. Remove carburetor end of linkage from throttle rod tab on carburetor.



12.2

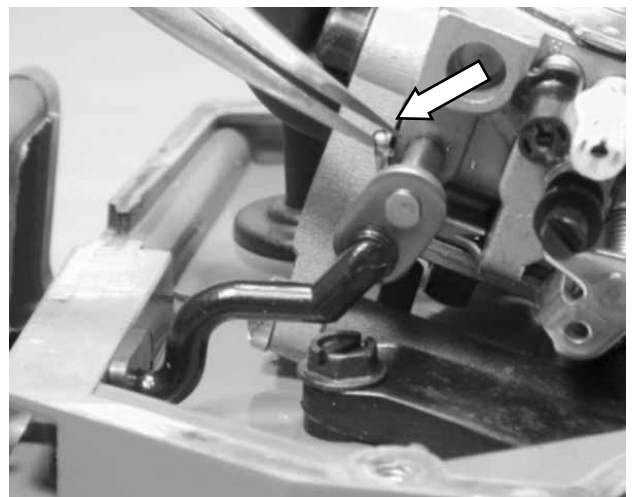
Remove choke lever split pin.

12.3

Remove choke lever.

12.4

Remove adjustment screw boot.



12.5

Remove carburetor support screw (1) with #4 Torx or straight blade screwdriver.

12.6

Remove carburetor body screws (2).



12.7

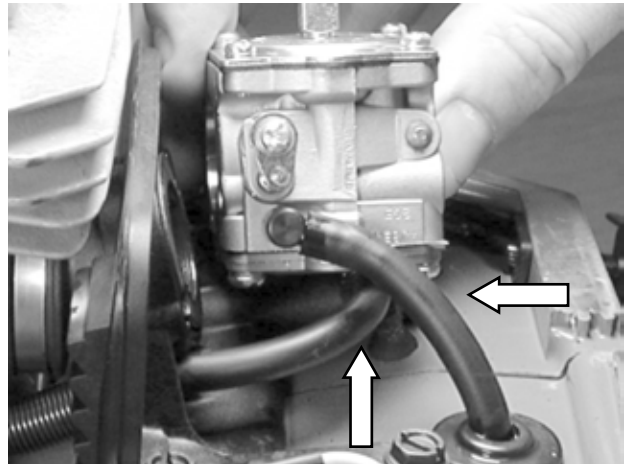
Remove fuel line.

12.8

Remove pulse tube.

12.9

Remove carburetor compensator tube on top of carburetor.

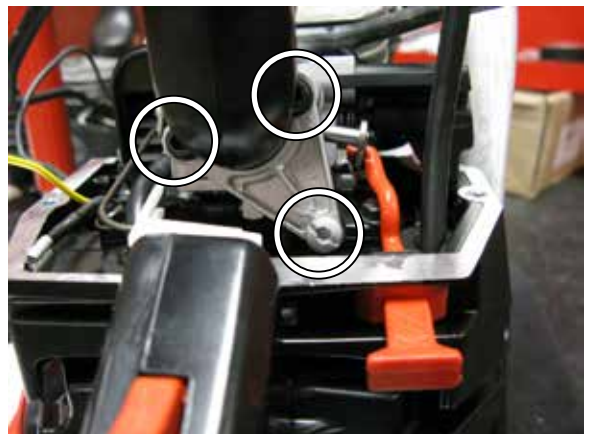


12.10

Assemble in the reverse order.

A. Torque carburetor body screws to 43 in-lbs. (4.9 Nm).

B. Torque supporter screw with blue Loctite® to 43 in-lbs. (4.9 Nm).



13. This section covers the removal, inspection and assembly of the cylinder, piston and related components. Removal of several component groups is required. Refer to sections 5, 6, 10 and 12 if necessary.

NOTE:

When replacing the 680GC cylinder and piston it is necessary to tune the carburetor prior to returning the saw to service. See section 23.

13.1

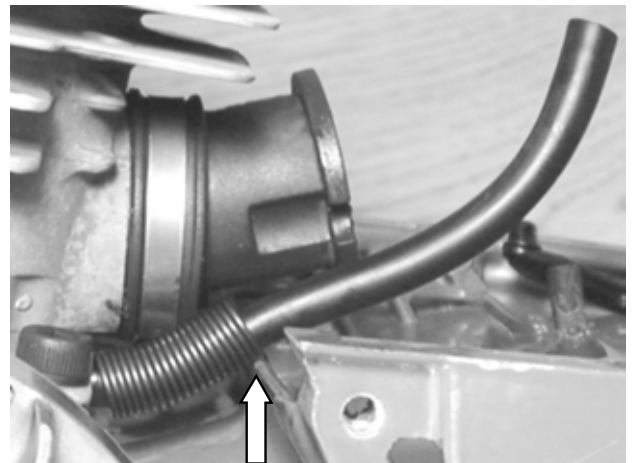
Remove carburetor base screws.

A. Remove carburetor base from rear manifold. Push rear manifold through carburetor base while holding carburetor base.

B. Remove carburetor base from pulse tube.

13.2

Remove pulse tube and protective spring from cylinder base.



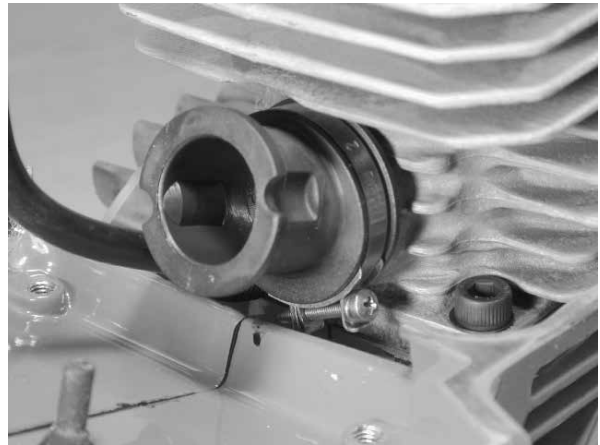
13.3

Remove rear manifold clamp.

13.4

Remove rear manifold from cylinder.

A. Inspect for holes and tears in the manifold, replace if damaged.



13.5

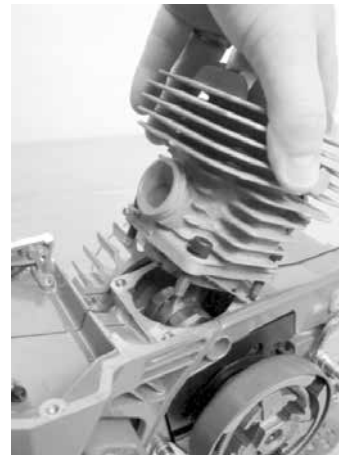
Remove cylinder screws (4) and wave washers.



13.6

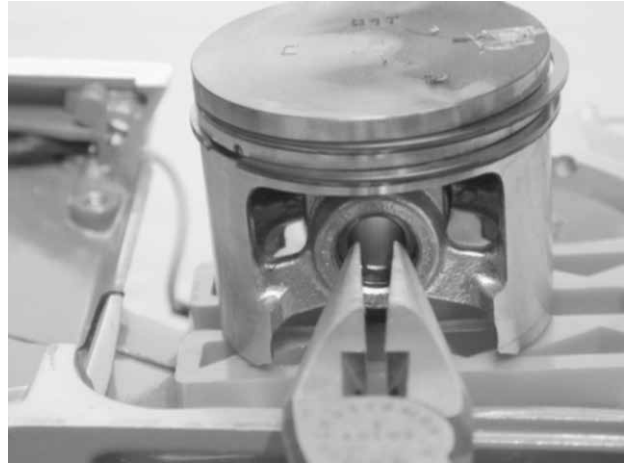
Remove cylinder.

A. Remove cylinder gasket and clean crankcase mating surface.



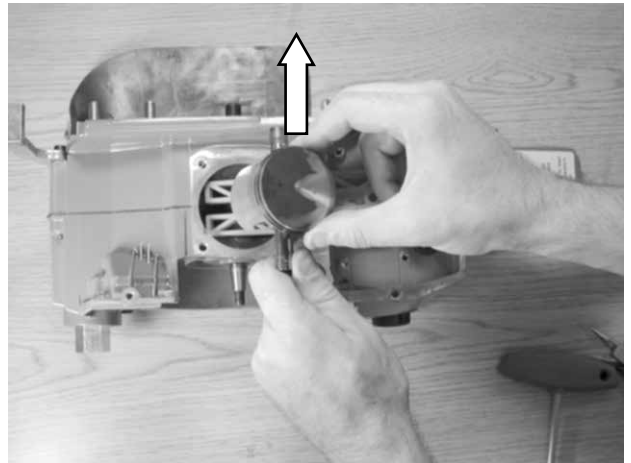
13.7

Remove wrist pin retaining clips (2)



13.8

Press wrist pin out with an 8mm deep socket.



13.9

Remove piston and inspect. Replace if damaged.

13.10

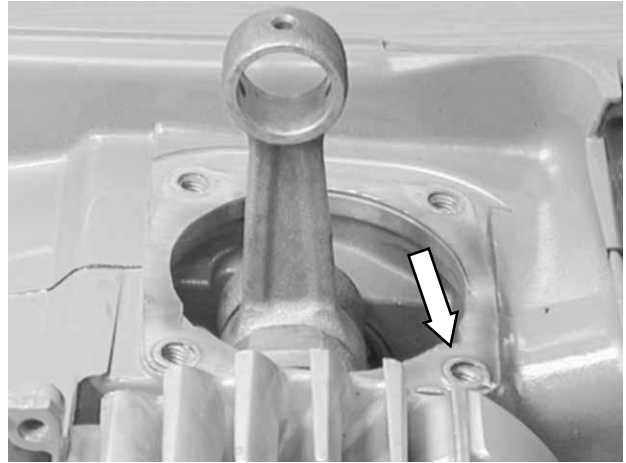
Remove wrist pin bearing.



13.11

Cylinder gasket.

- A. Oil gasket with ICS® 2-stroke engine oil.
- B. Install and align holes and notch.



13.12

Install wrist pin bearing in rod.

- A. Oil bearing with ICS® 2-stroke engine oil.



13.13

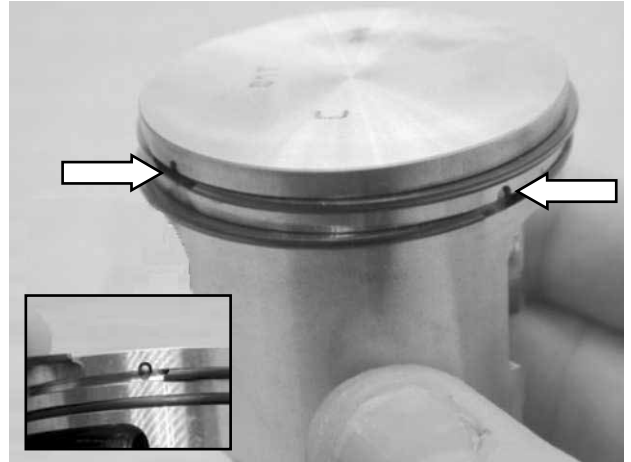
Install rings.

Install bottom ring first. Installing the bottom ring over the top ring may cause the ring to break.



13.14

Ring orientation.




13.15

Install (1) wrist pin retaining clip.



13.16

Make sure wrist pin retaining clip is in the proper orientation.

 Improper installation may result in serious engine damage.



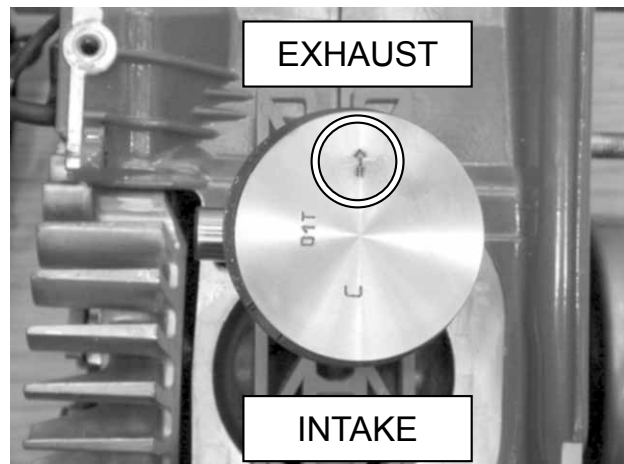
13.17

Partially install wrist pin.



13.18

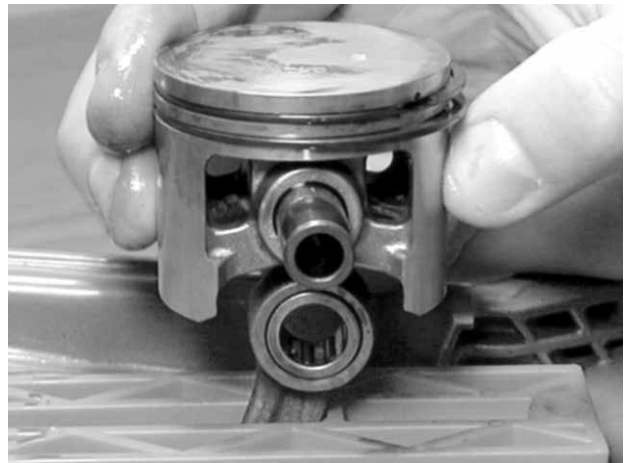
Align piston in correct orientation.



13.19

- A. Oil piston with ICS® 2-stroke oil.
- B. Align wrist pin with wrist pin bearing.
- C. Complete wrist pin installation.
- D. Install second wrist pin retaining clip.

⚠ Make sure wrist pin retaining clip is in the proper orientation (see 13.16).



13.20

Install cylinder.

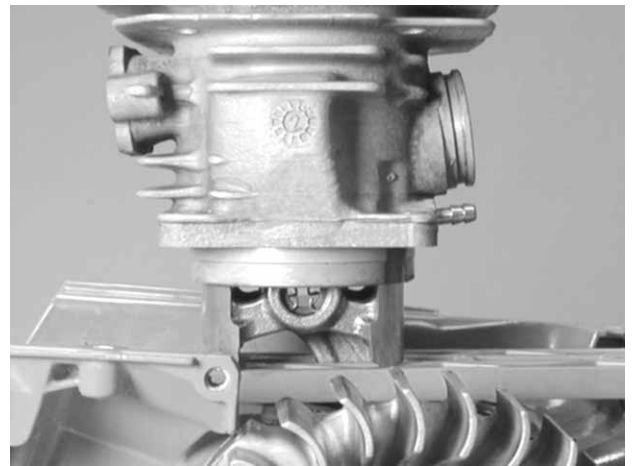
- A. Lubricate cylinder bore with ICS® 2-stroke oil.
- B. Compress rings with ring compression tool.
- C. Slide cylinder onto piston, pushing ring compression tool down.



13.21

Install cylinder.

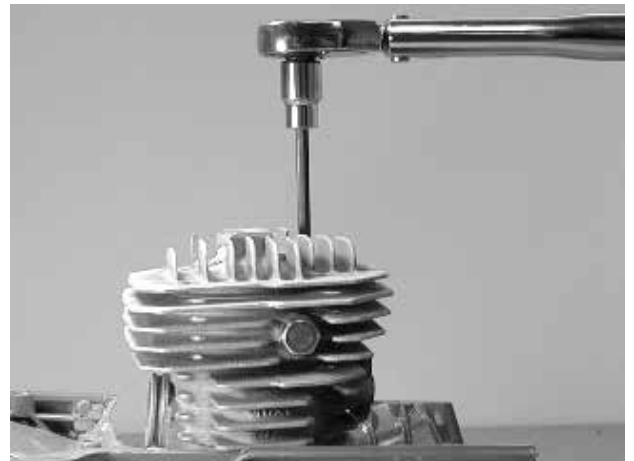
- A. Remove ring compression tool.
- B. Slide cylinder down piston and into crankcase.
- C. Align cylinder bolt holes with crankcase.



13.22

Install 4 cylinder screws and washers.

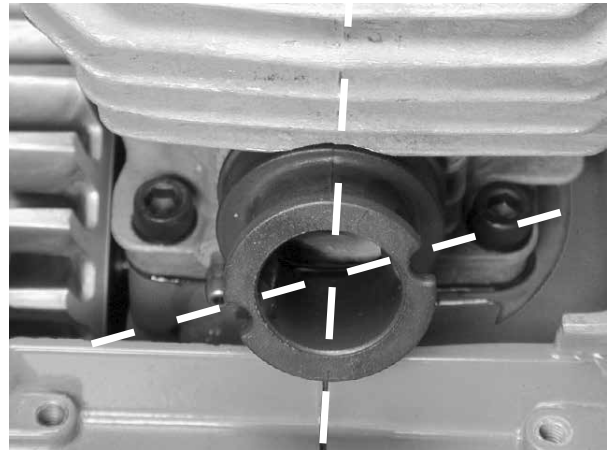
- A. Use Loctite®242.
- B. Torque bolts to 95 in-lbs. (10.7 Nm).



13.23

Install rear manifold.

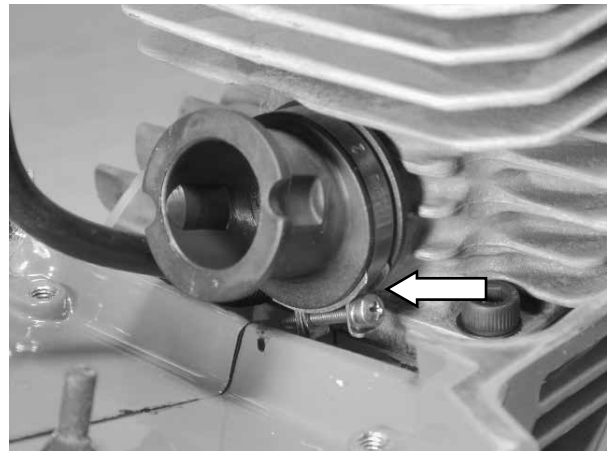
- A. Lubricate rear manifold with ICS® 2-stroke oil.
- B. Push rear manifold onto cylinder intake.
- C. Align rear manifold seam with cylinder and crankcase seam.



13.24

Install rear manifold clamp.

- A. Torque to 11 in-lbs. (1.2 Nm).
- ⚠** Do not over tighten, damage to rear manifold may cause engine damage.

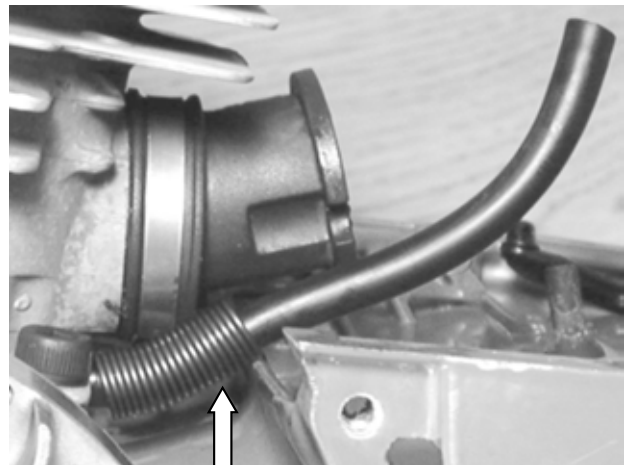


13.25

Install the pulse tube onto cylinder barb.

13.26

Install protective spring onto pulse tube.



13.27

Install carburetor base.

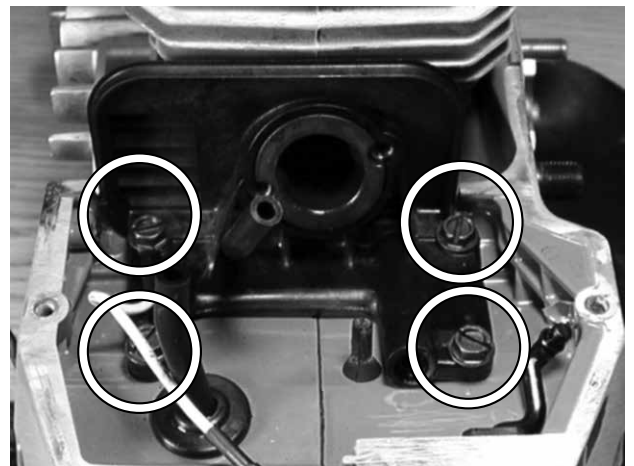
- A. Slip pulse tube into and through carburetor base.
- B. Slip rear manifold into and through carburetor base.
- C. Make sure rear manifold lip is flat.



13.28

Install carburetor base screws.

- A. Use Loctite® 242 on (3) screws without ground wire.
- B. Make sure to include stop switch wire (installed on left rear screw).
- C. Torque to 35 in-lbs. (4 Nm).



14. This section covers water hose and water tank cap.

14.1

Loosen hose clamp screw.

14.2

Remove water connection from hose.

14.3

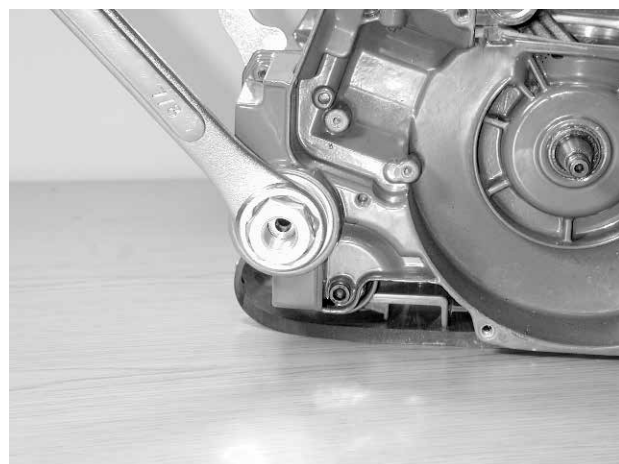
Remove hose from hose hanger.

14.4

Remove water hose connector.

14.5

Unscrew water tank cap from saw (7/8 wrench).



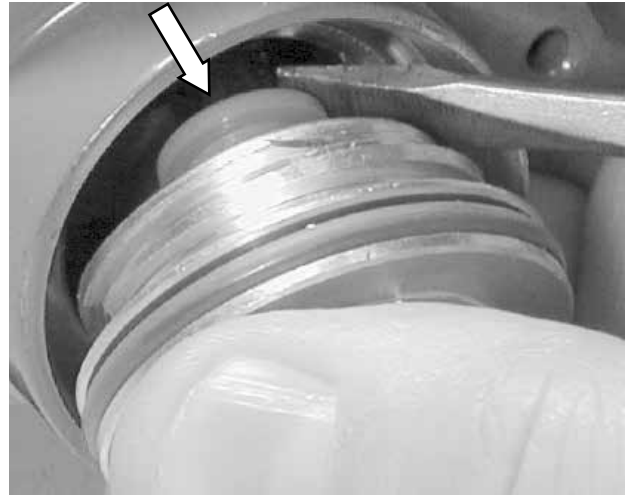
14.6

Release water tank cap from water tank tube.

A. Depress orange fitting (as shown) to release water tank tube.

14.7

Assemble in reverse order.



15. This section covers the removal, inspection, and installation of the ignition coil. Removal of the starter is required. Refer to section 8 if necessary.

15.1

Remove starter flywheel shroud by unhooking wires.



15.2

Remove ignition coil screws, wave washers and plain washers.

15.3

Remove ignition coil.



15.4

Inspect.

- A. Look for cracks/missing insulation.
- B. Clean flywheel magnets and coil if rusty.



15.5

Install ignition coil.

- A. Place ignition coil shim (0.012")
- B. Set ignition coil in place.
- C. Install ignition coil screws, wave washers, and plain washers with Loctite® 242.
- D. Holding shim, rotate flywheel magnet around to coil.
- E. Torque ignition coil screws to 26 in-lbs.(3 Nm).
- F. Remove shim, rotate flywheel to check clearance.

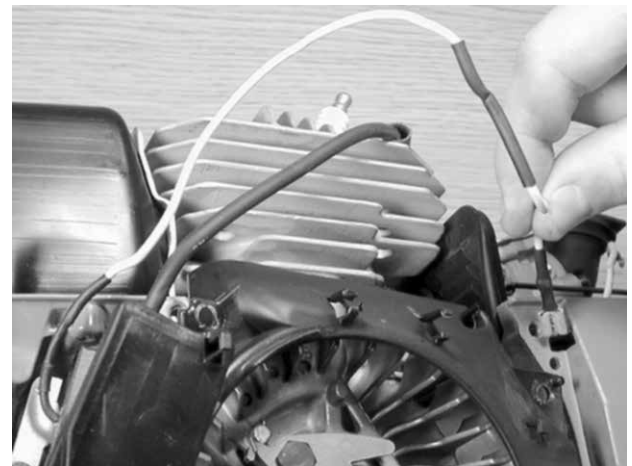


15.6

Install flywheel shroud.

15.7

Route ignition stop switch wire through crankcase into carburetor chamber.



15.8

Complete ignition wire routing.



16. This section covers the removal, inspection, and installation of the flywheel. Removal of the starter and spark plug is required. Refer to sections 6 and 8 if necessary.



16.1

Insert piston stop.

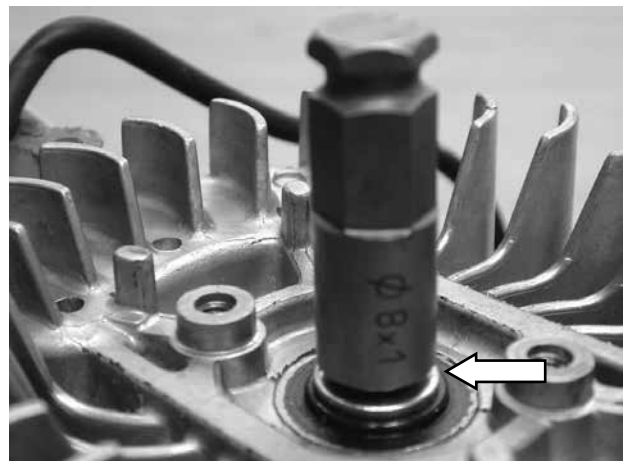
16.2

Remove flywheel nut, wave washer, and plain washer.



16.3

Screw on flywheel removal tool finger tight. Unscrew tool 1 1/2 turns leaving approximately 1/8 inch (5 mm) space between tool and flywheel.



16.4

Using pliers, hold saw up by magnet counterweight.

16.5

Strike flywheel removal tool with a ball peen hammer. The flywheel should release from crankshaft.

16.6

Inspect and clean flywheel. Replace if any of the fins are broken.

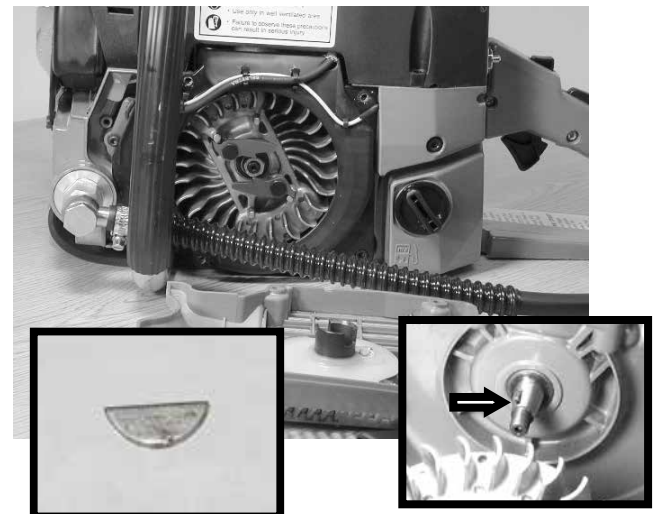
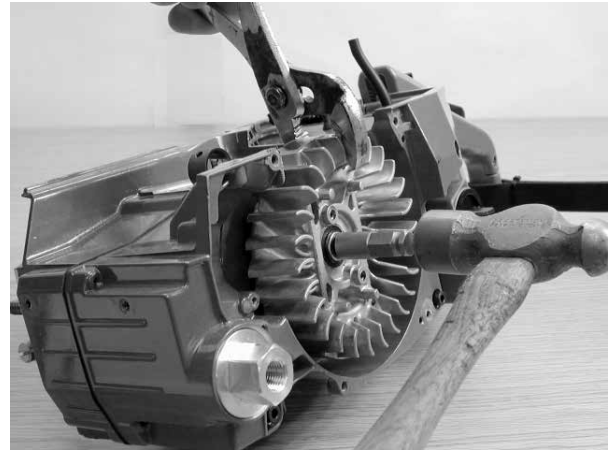
16.7

Inspect woodruff key.

16.8

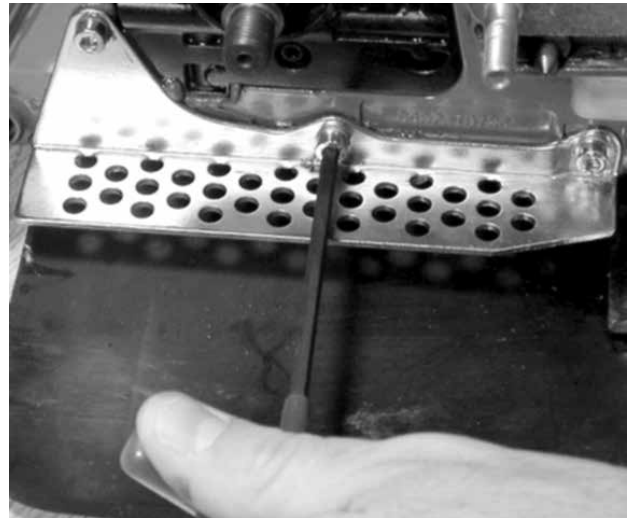
Install flywheel, plain washer, wave washer, and flywheel nut.

A. Torque nut to 260 in-lbs (29.3 Nm.)



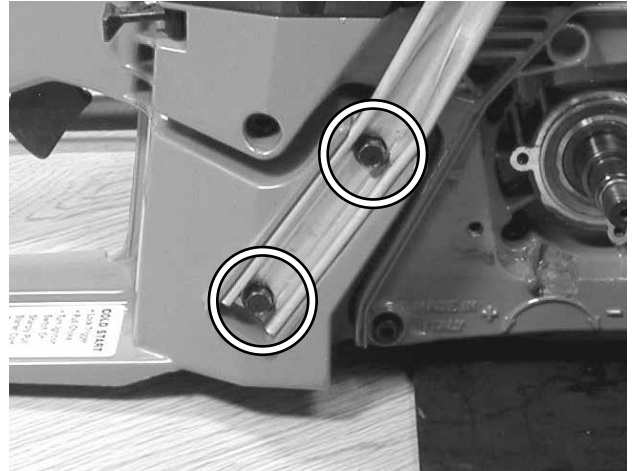
17. This section covers the removal, inspection, and installation of the bottom guard.

- A. Remove bottom guard screws and split washers.
- B. Inspect bottom guard.
- C. Replace if damaged.
- D. Assemble in reverse order.

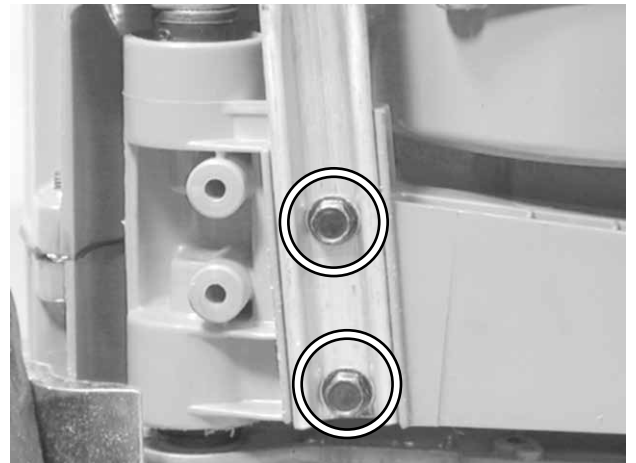


18. This section covers the removal, inspection, and installation of the front handle.**18.1**

Remove front handle screws on right side.

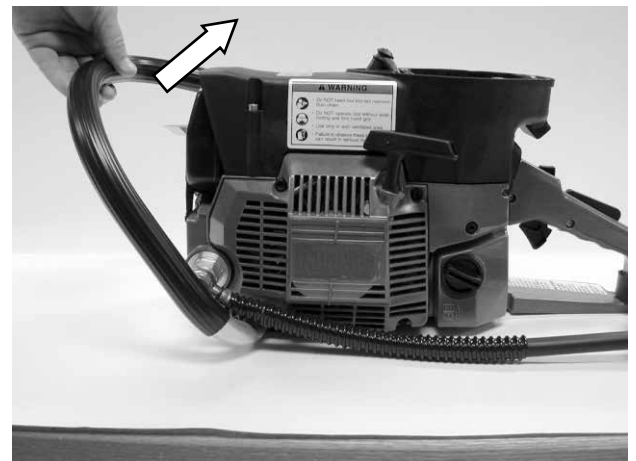
**18.2**

Remove front handle screws on bottom.

**18.3**

Install front handle

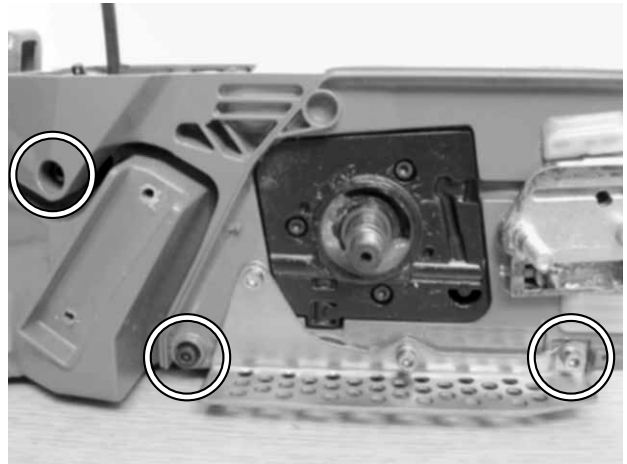
- A. Roll front handle into place.
- B. Install front handle screws (4).
- C. Use Loctite®242.
- D. Torque to 69 in-lbs. (7.8 Nm).



19. This section covers the disassembly, inspection, and assembly of the vibration isolators, fuel tank and rear handle.

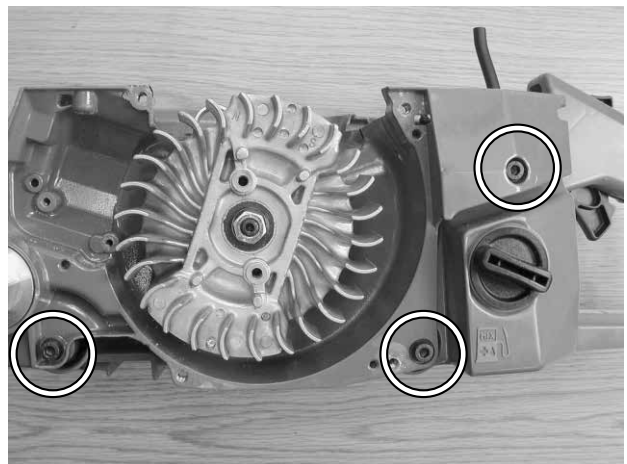
19.1

Remove vibration isolator screws and wave washers on clutch side of saw.



19.2

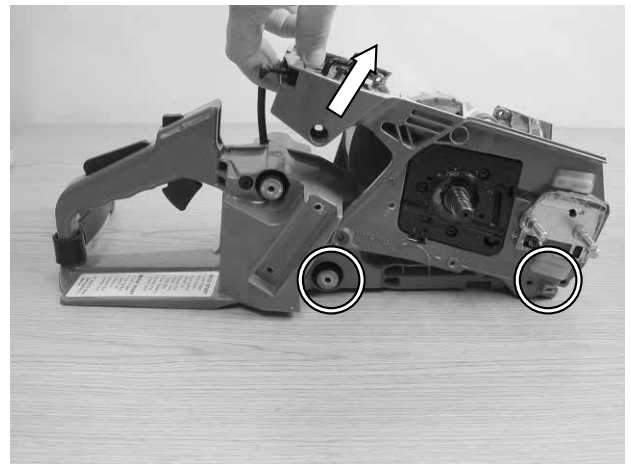
Remove vibration isolator screws and wave washers on flywheel side of saw.



19.3

Separate crankcase and fuel tank.

NOTE: Saws have a rubber water deflector connected to the (2) bottom vibration isolators on the clutch side (circled).



19.4

Remove vibration isolators from fuel tank (6) if necessary.

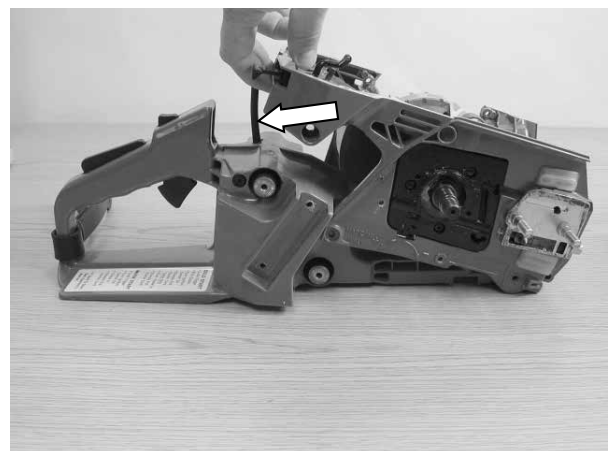
* Shock absorber tool p/n #71546 should be used for removal and installation.



19.5

Assemble in reverse order.

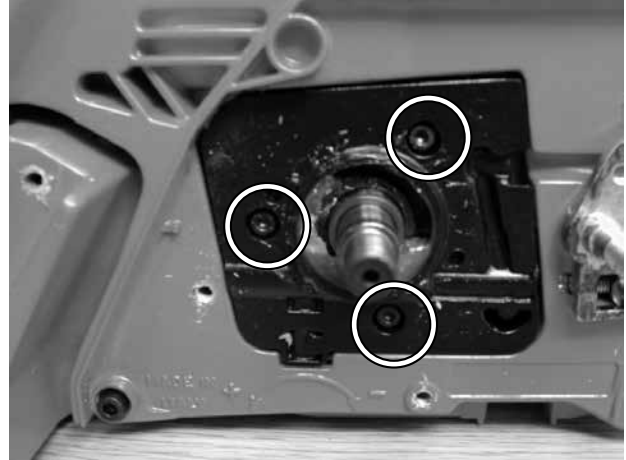
NOTE: During assembly be careful to avoid kinking the fuel line.



20. This section covers the removal, inspection and assembly of the crankcase seals and crankshaft bearings.

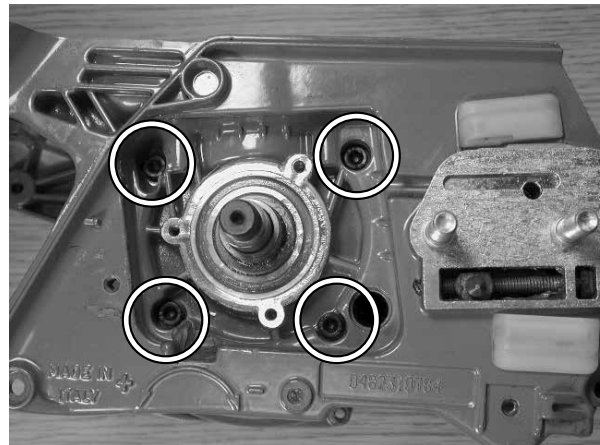
20.1

Remove outer crankshaft seal housing screws and wave washers.



20.2

Remove crankcase bolts.



20.3

Heat the flywheel side crankcase with heat gun for 5 minutes, approximately 150° F (65.5° C).



20.4

Remove the flywheel side crankcase — tap crankshaft with plastic mallet.

- A. Suspend above work surface.
- B. Tap with mallet.

NOTE: A nut should always be placed on a threaded shaft when pounding or pressing on it.



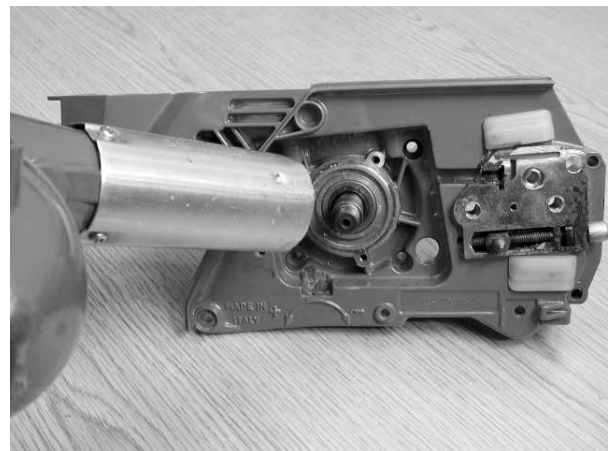
20.5

Remove the flywheel side crankcase seal with 1/2" (13 mm) socket.



20.6

Heat the clutch side crankcase with heat gun to 150°F (65.5°) C.



20.7

Remove crankshaft from the clutch-side crankcase tap crankshaft with a plastic mallet.

- A. Suspend above work surface.
- B. Tap with plastic mallet.



20.8

Remove the bearing from the flywheel side of crankshaft.



20.9

Remove the bearing, seal, and bushing from the clutch side of crankshaft.



20.10

Clean mating crankcase faces.

20.11

Heat crankcase halves to 150° F (65.5°) C.



20.12

Install bearing into crankcase halves.

20.13

Tap with bearing driver and mallet.



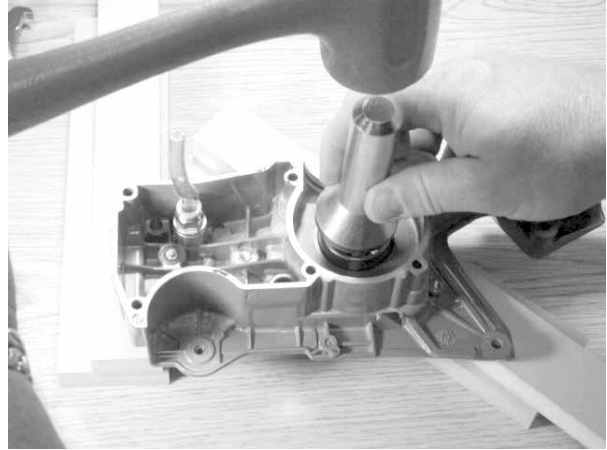
20.14

Repeat with other half.



20.15

Install crankshaft into clutch side of case.



20.16

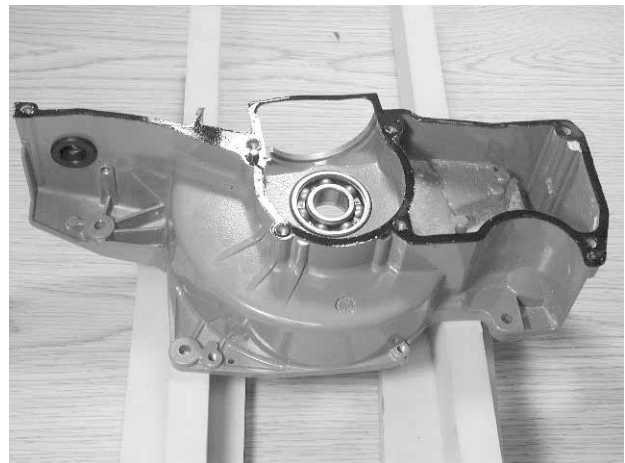
Place clutch side crankcase seal on crankshaft.

A. Tap lightly with bearing driver and mallet.



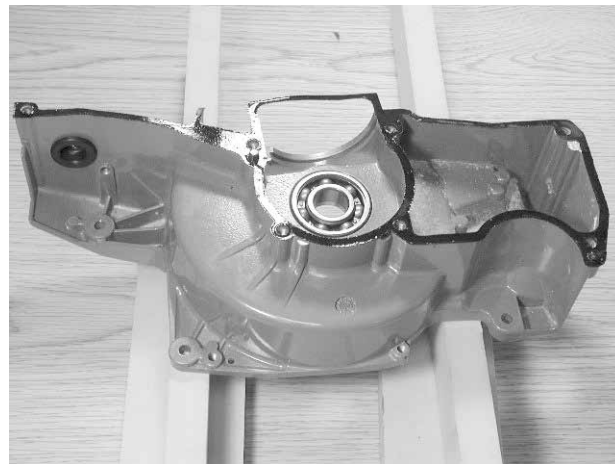
20.17

Coat crankcase gasket with ICS® 2-stroke engine oil.



20.18

Align crankcase gasket on flywheel side crankcase pins.



20.19

Place crankcase halves together and align crankcase pins.



20.20

Assemble crankcase halves — tap with bearing driver and mallet.



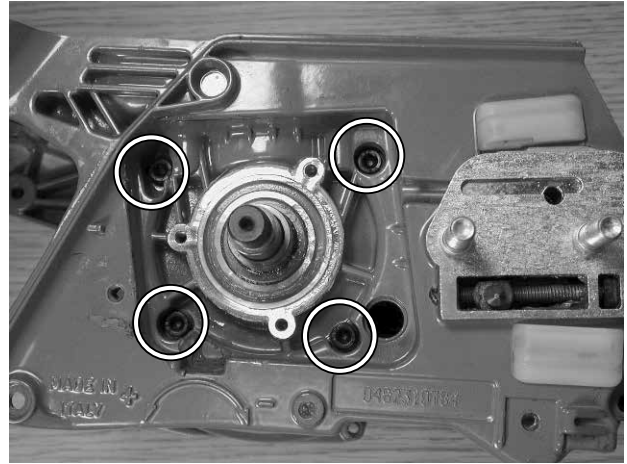
20.21

Install main crankcase bolts.

A. Use Loctite® 242.

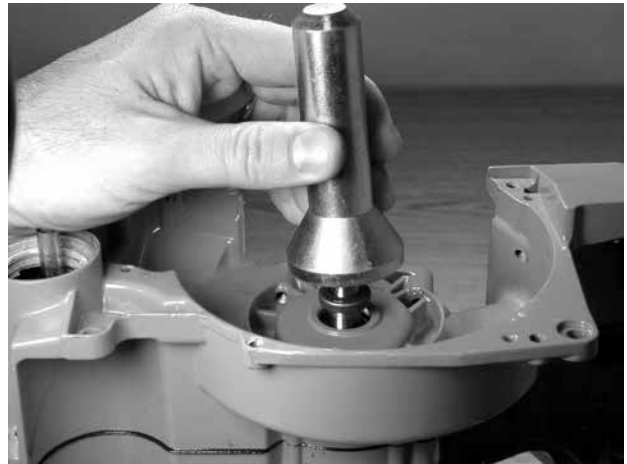
B. Torque to 69 in-lbs. (7.8 Nm.)

NOTE: The (3) remaining crankcase bolts will be installed during the completion of the assembly.



20.22

Install flywheel side crankcase seal — tap with bearing driver and mallet.



20.23

Trim crankcase gasket flush.



21. This section covers the removal and installation of the bar studs and bar pad.

21.1

Remove bar studs.

- A. Remove side cover.
- B. Install side cover nuts, flange to flange and tighten together.
- C. Attempt to remove the inside nut which should pull out the bar stud.
- D. Repeat on the second bar stud.

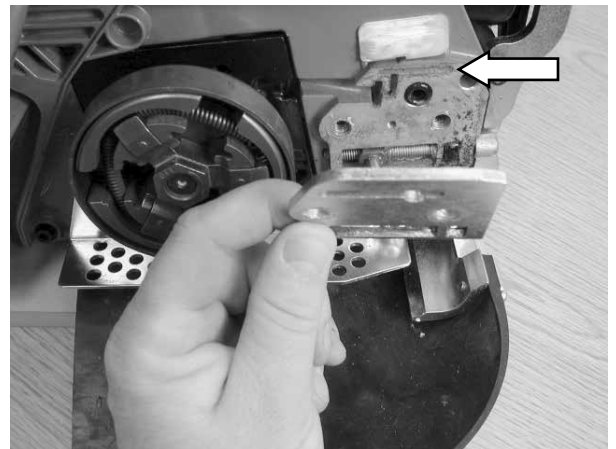
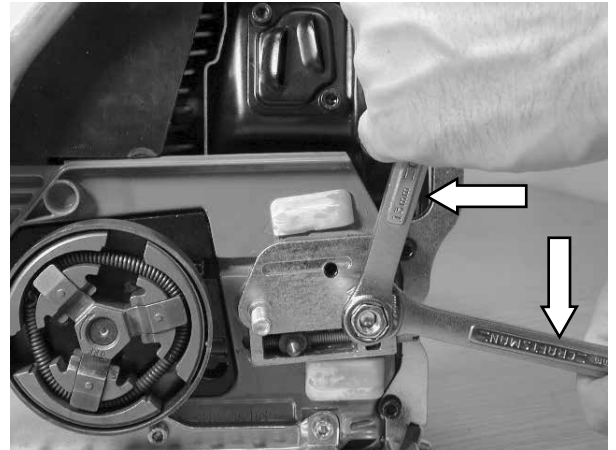
21.2

Remove bar pad.

- A. Remove sealing o-ring.

21.3

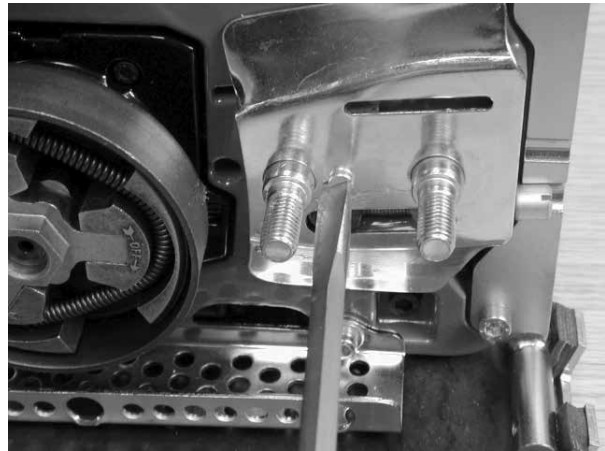
Assemble in reverse order.



22. This section covers the removal and installation of the chain tensioner.

22.1

Remove bar plate to expose the chain tensioner.

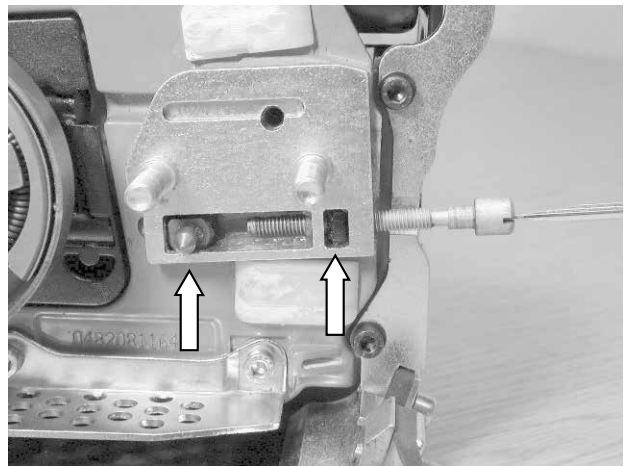


22.2

Unscrew tensioner to remove.

A. Remove tensioner pin.

B. Remove tensioner screw keeper.



22.3

Assemble in reverse order.



23. This section covers carburetor tuning. Included in this section are basic settings, idle speed adjustment, and complete adjustment.

The carburetor has been set at the factory for optimal performance and compliance to EPA Phase II emissions standards. However, minor adjustments may be required in certain conditions, such as high elevation.

NOTES:

- These saws are equipped with an electronic speed limiter, as part of the ignition system. This will prevent the saw from going above 12,000 RPM. Attempting to set the carburetor mixture to increase the speed or power beyond this limit may seriously damage the engine.
- Always check the air filter, pre filter, fuel filter, and spark plug before making carburetor tunings and clean or replace if necessary.

23.1

Basic Setting:

H = 2 1/4 - 2 3/8 turns from closed.

L = 1 1/4 to 1 3/8 turns from closed.

Complete carburetor readjustment.

23.2

Remove limiter cap.

A. Limiter caps can only be removed after the cylinder cover and screw boot have been removed. Observe orientation of the release slots on the adjustment screw limiter cap. See section 10 for cylinder cover removal.

B. Insert the limiter cap puller into the center of the limiter cap.

C. Firmly hold the tool shaft while screwing in the puller screw until the screw head is against the puller shaft.

D. Unscrew the puller screw, 1/4 turn and pull straight out. Repeat for second limiter cap.

23.3

Using a 5/64" straight blade screwdriver, gently turn the adjustment screws clockwise until completely closed.

23.4

Set the adjustment screws at the basic setting (see section 23.1).

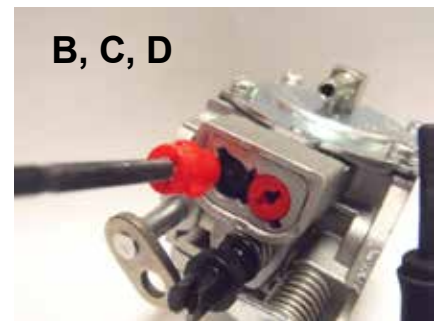
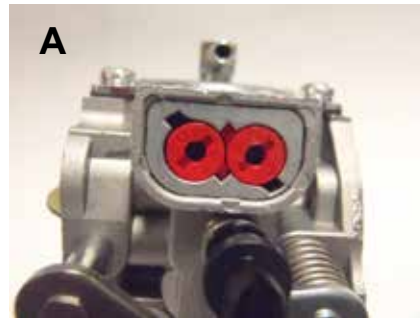
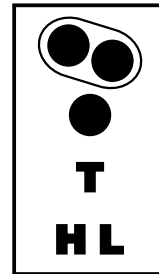
⚠ The side cover must be held tightly in place with the side cover nuts, using a bar and no chain. **Failure to follow this procedure may result in personal injury and or damage to the saw.**

RPM settings for saws.

NOTE: Saw tuned without chain installed.

Idle Speed = 3,000 ± 200 rpm

Full Throttle = 11,500 ± 500 rpm



23.5

Start the saw and warm up the engine.

23.6

With a tachometer check the saw rpm, with a bar and no chain.

Idle = $3,000 \pm 200$ rpm.

If the idle rpm does not fall into this range, adjust the T screw, clockwise to raise rpm, counterclockwise to lower rpm.

23.7

With a tachometer check the saw full throttle rpm, with no bar and chain:

Target:= $11,500 \pm 500$ rpm

23.8

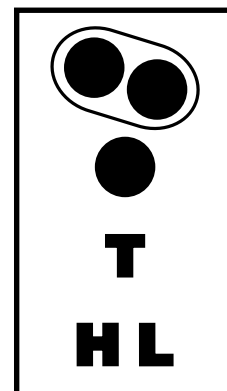
If the full throttle falls below this range, turn the H screw in (clockwise) 1/16th of a turn at a time.

A. Pulse the throttle to help stabilize the system.

! Do not hold the saw at max rpm for more than 5 seconds or cylinder damage could occur.

23.9

When the carburetor is adjusted correctly, set the limiter caps securely onto the needle screws with a straight blade screwdriver.



24. This section covers idle speed adjustment.

24.1

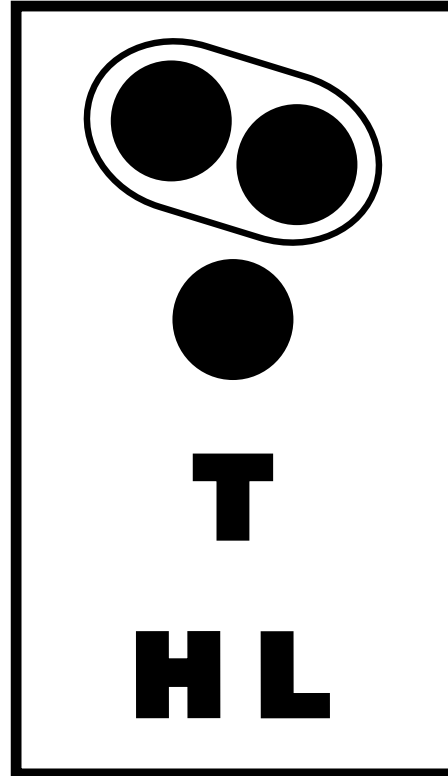
If engine stops while idling:

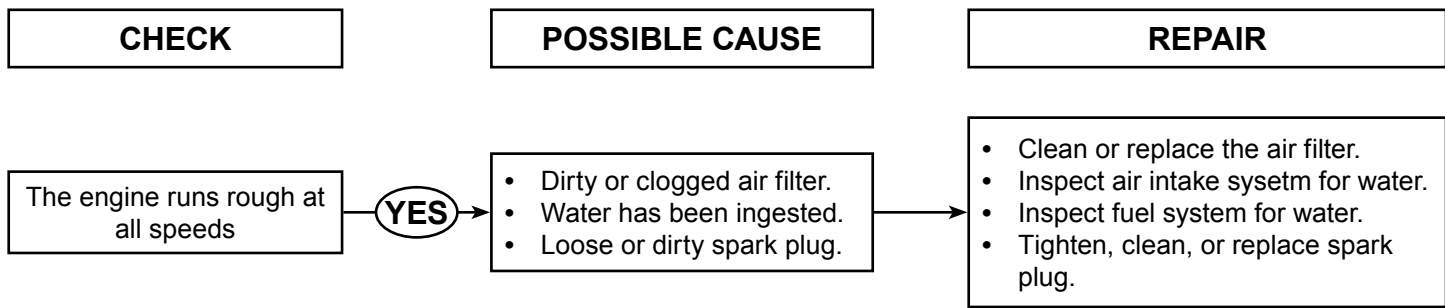
- A. Make sure the chain is properly tensioned.
- B. Turn T screw clockwise until chain begins to move.
- C. Back T screw out 1/2 turn.


24.2

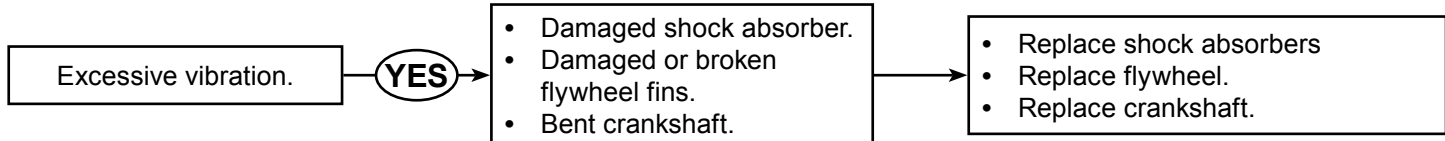
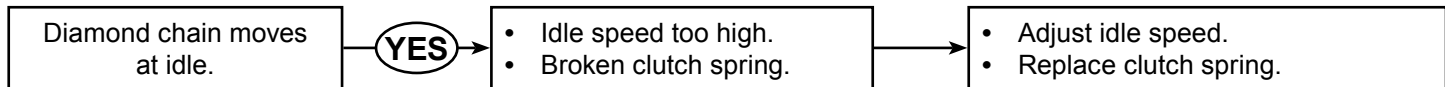
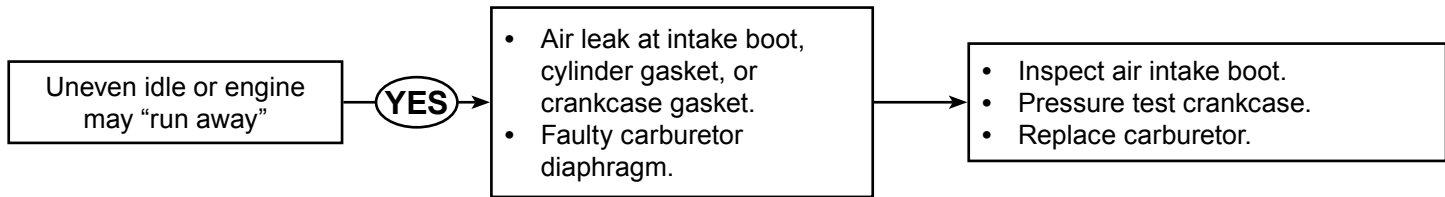
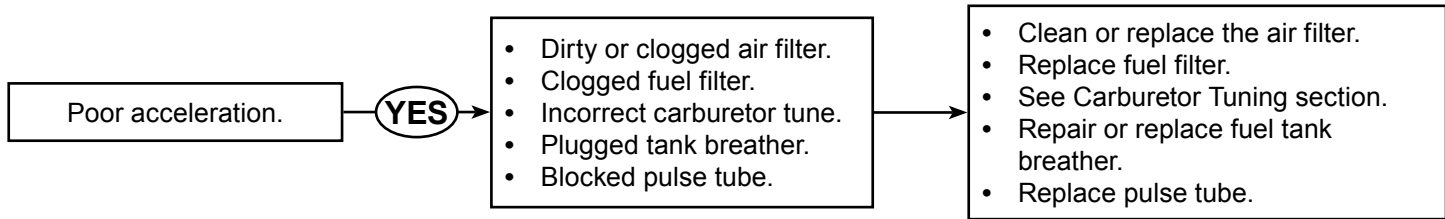
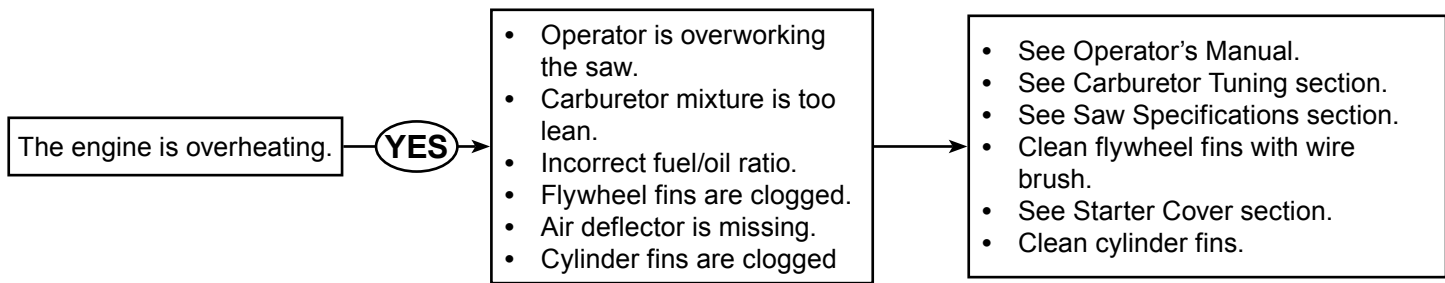
If chain turns at idle.

Back T screw out until chain stops moving.

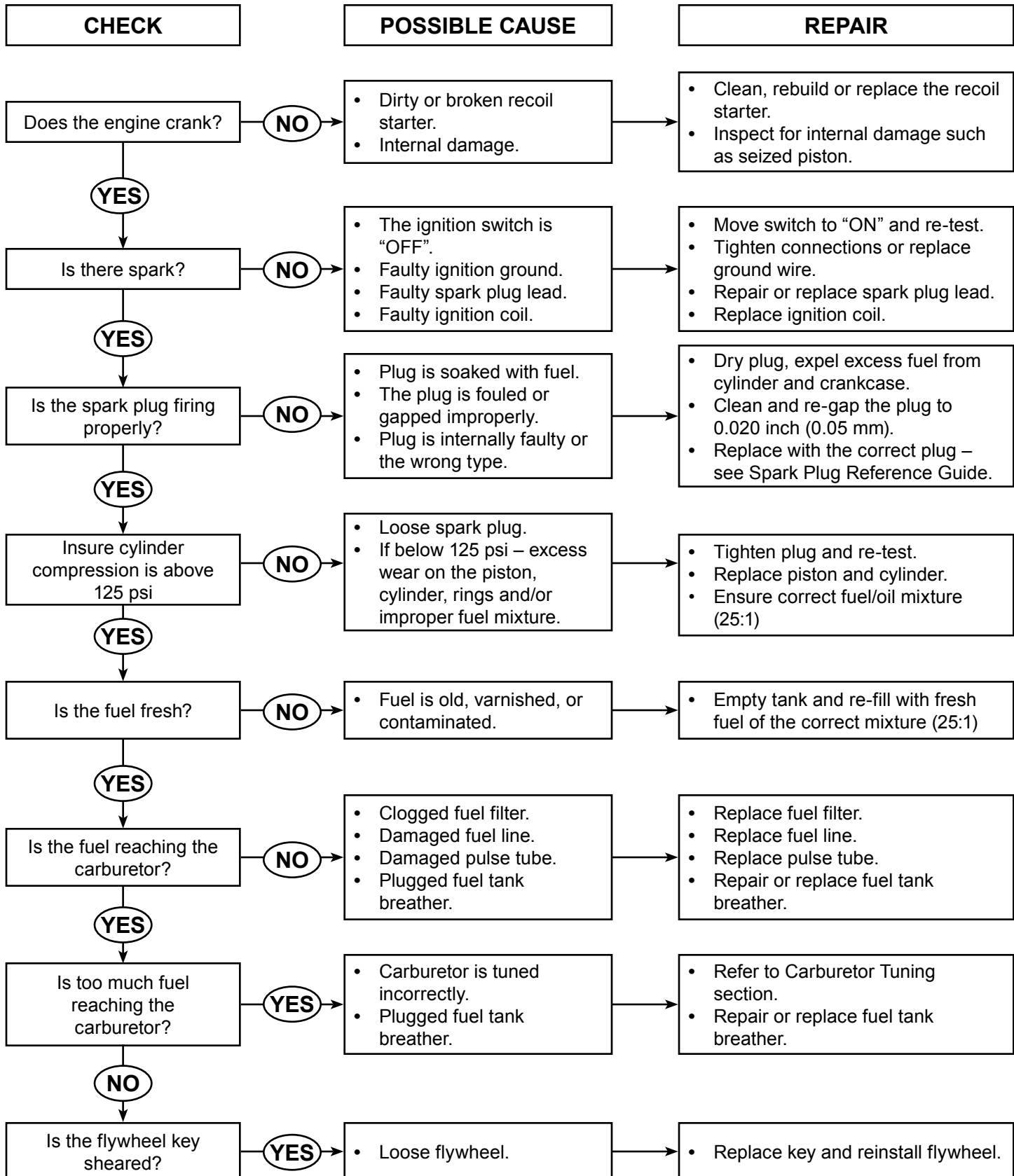




 A dirty air filter is the #1 reason for engine problems.



Saw Will Not Start

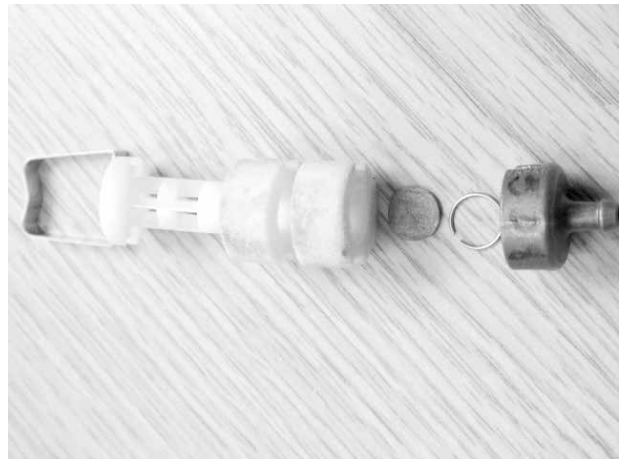


26. This section covers testing the fuel system for leaks. Engine starvation can result from a leak or malfunction of any of the main components of the fuel system. The five main components are the fuel tank, fuel tank breather, fuel filter, delivery tubes, and carburetor.

26.1

Remove and inspect the fuel filter.

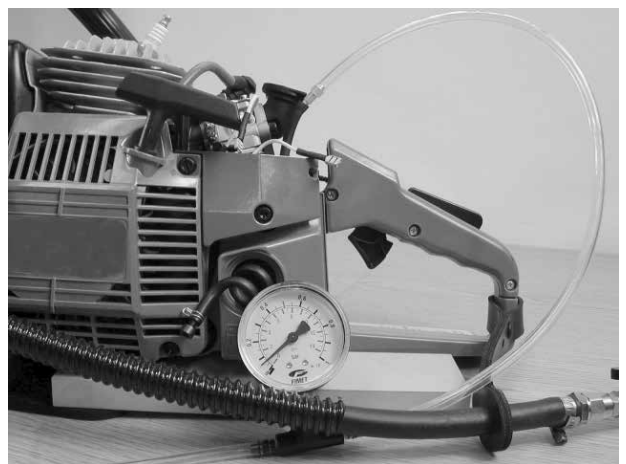
A Replace the fuel filter if there is any foreign material in the felt or the internal screen.



26.2

Test the main fuel pick-up tube for leaks.

- A. Install the pressure gauge and bulb.
- B. Pressurize the tube to 7psi (0.5 bar).
- C. If the pressure does not maintain, separate the fuel line from the carburetor.
- D. Plug one end of the main fuel pick-up tube.
- E. Re-pressurize the tube to 7psi (0.5 bar).
- F. Replace the tube if pressure is not maintained.
- G. If the main fuel pick-up tube does maintain pressure, then the leak has been isolated to the carburetor. Refer to the Walbro Diaphragm Carburetor Service Manual.



26.3

The fuel tank breather stabilizes the pressure in the fuel tank preventing both excessive pressure, which could flood the engine, and negative pressure, which could starve the engine of fuel.

26.4

Fuel tank breather is located inside the air filter compartment.



26.5

Testing the fuel tank breather.

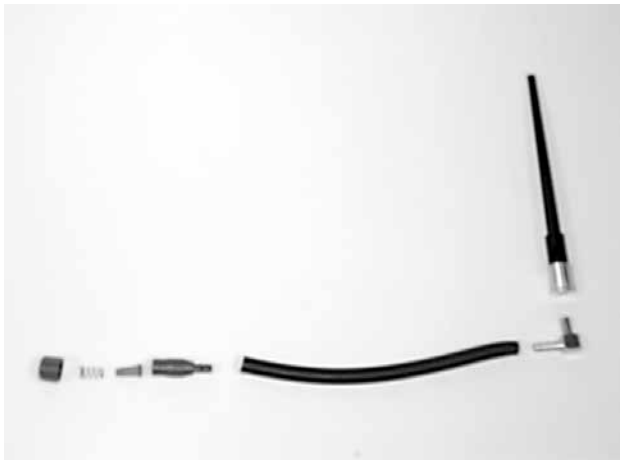
- A. Attached the pressure gauge and bulb to the main fuel pick-up tube at the carburetor. Pressurize the tube to 4.5 psi (0.3 bar).
- B. The pressure should reduce to nearly 0 psi (0 bar) over about 3 seconds.



26.6

If the pressure does not reduce to 0 psi, disassemble or replace the breather.

- A. Clean the parts with solvent or fuel.
- B. Assemble in reverse order.
- C. Make sure that the spring taper is oriented in the correct direction. Narrow end towards the end of the cap.

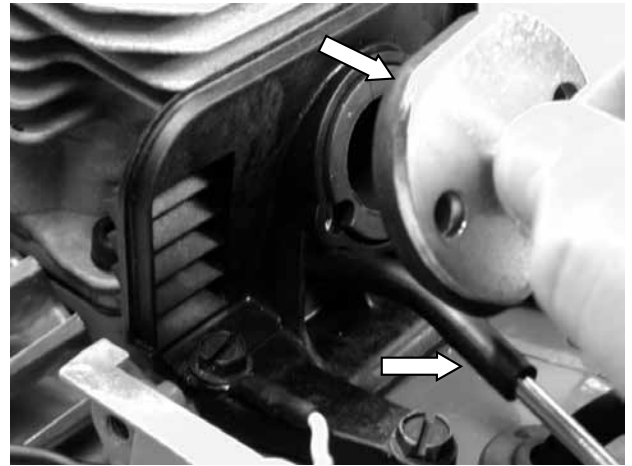


27. This section covers testing the crankcase for leaks. A leak in the crankcase can cause the engine not to run.

27.1

Install the intake seal flange.

A. Plug cylinder pulse tube.

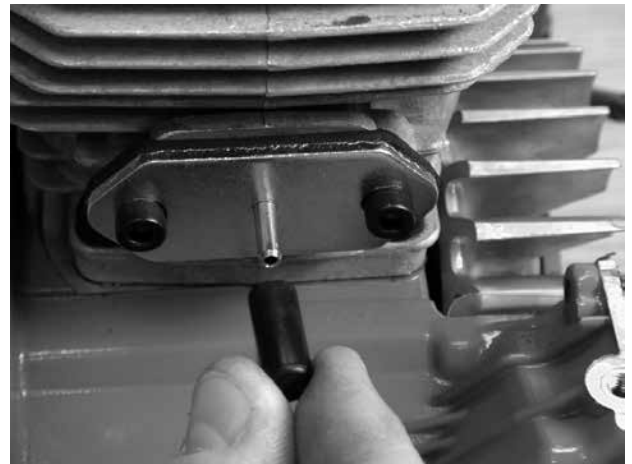


27.2

Install the exhaust seal flange.

27.3

Block one of the flange tubes with a rubber plug.



27.4

Install the pressure gauge and bulb.

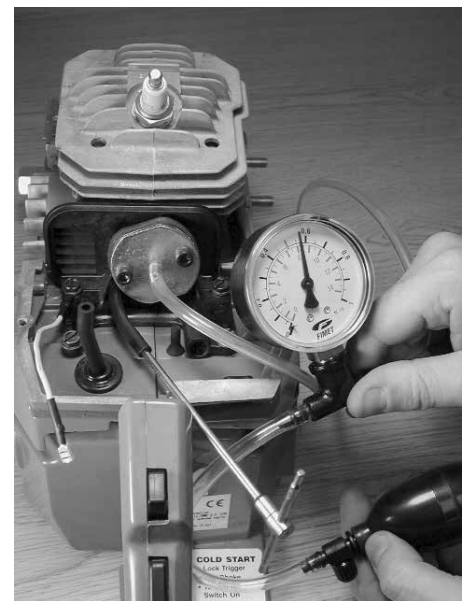
27.5

Pressurize the crankcase to 7psi (0.5 bar).

27.6

If the pressure does not remain the same, use soapy water to find the leak.

NOTE: It is recommended that this test be performed after an engine rebuild.



Spark Plug Reference Guide

ICS Part Number	Champion	NGK
514770	RCYJ4	BPMPR8Y

680GC SERVICE MANUAL

**ICS, Blount, Inc.
4909 SE International Way
Portland, OR 97222, USA
Tel 800.321.1240 Fax 503.653.4393**

**ICS, Blount Europe S.A.
Rue Emile Francqui, 5
1435 Mont-Saint-Guibert, Belgium
Tel +32 10 301 251 Fax +32 10 301 259
icsdiamondtools.com**